

# MISCELLANEOUS INDEX

PAGE	DATE	SERIES	DESCRIPTION
<a href="#">M-1</a>	08/01/11		Miscellaneous Index
<a href="#">M-1.1</a>	07/28/14		Miscellaneous Index
<a href="#">M-2</a>	04/16/96	M01	Tooling Ball
<a href="#">M-3</a>	04/16/96	M02	Scrap Chute Hook and Retainer Bracket
<a href="#">M-4</a>	01/03/95	M03	Scrap Chute Chain Hooks
<a href="#">M-5</a>	01/03/95	M04, M05 & M15	Scrap Chute Retainer Brackets
<a href="#">M-6</a>	01/03/95	M06 & M16	Scrap Chute Storage/Hinge Brackets
<a href="#">M-7</a>	01/03/95	M07	Scrap Chute Hinge & Pins
<a href="#">M-8</a>	12/15/00	M08 & M09	Rectangular Key
<a href="#">M-9</a>	12/15/00	M10	Stop Blocks
<a href="#">M-10</a>	08/23/06	Discontinued	Flange Stripper with Coil Spring
<a href="#">M-11</a>	12/15/00	Discontinued	Flange Stripper with Gas Spring
<a href="#">M-12</a>	08/23/06	Discontinued	Flange Stripper Assembly
<a href="#">M-13</a>	12/15/00	M13	Flange Stripper Asm - Locating Cone Unit
<a href="#">M-14</a>	08/23/06	Discontinued	Flange Stripper Asm - Guide Shaft
<a href="#">M-15</a>	08/23/06	Discontinued	Flange Stripper Asm - Bushing Block
<a href="#">M-16</a>	08/23/06	Discontinued	Flange Stripper Asm - Retainer & Guide Block
<a href="#">M-17</a>	10/19/01	M17	Stock Crowder
<a href="#">M-18</a>	08/01/11	Discontinued	Blank Support
<a href="#">M-19</a>	10/07/05	M19	Scrap Flipper
<a href="#">M-20</a>	08/23/06	M20	Scrap Chute Bracket
<a href="#">M-21</a>	06/07/07	M21	18 MM Blank Sensor
<a href="#">M-22</a>	10/22/15	Discontinued	Flange Stripper Air Activated
<a href="#">M-23</a>	10/20/10	M23	Lift Rail Assembly
<a href="#">M-24</a>	10/20/10	M23	Lift Rail Cable Stud & Mounting Plate
<a href="#">M-25</a>	10/20/10	M23	Lift Rail Cable Stud Mounting Bracket & Bumper Plate
<a href="#">M-26</a>	10/20/10	M23	Lift Rail Shock Absorber
<a href="#">M-27</a>	08/01/11	M27	Blank Support

# MISCELLANEOUS INDEX

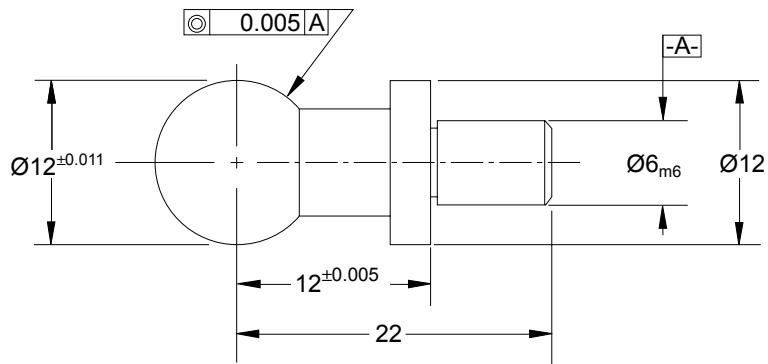
<b>PAGE</b>	<b>DATE</b>	<b>SERIES</b>	<b>DESCRIPTION</b>
<a href="#">M-28</a>	07/28/14	M28	Cast - In Flange - Stripper Assembly
<a href="#">M-29</a>	07/28/14	M28	Cast - In Flange - Stripper Body
<a href="#">M-30</a>	07/28/14	M28	Cast - In Flange - Stripper Plate
<a href="#">M-31</a>	07/28/14	M28	Cast - In Flange - Retainer Block
<a href="#">M-32</a>	07/28/14	M28	Cast - In Flange - Spring - Light Duty
<a href="#">M-33</a>	10/22/15	M28	Flange Stripper Air Activated
<a href="#">M-34</a>	06/30/17	M30	Flange Stripper - Gas Spring - Solid Block Return
<a href="#">M-35</a>	06/30/17	M31	Flange Stripper - Gas Spring - Gas Spring Return
<a href="#">M-36</a>	06/30/17	M32	Draw Die Binder Lifter

# TOOLING BALL

(M01 SERIES)

Stamping

04/16/96



NAAMS CODE
M011222

## NOTES & SPECIFICATIONS:

Material, hardened steel

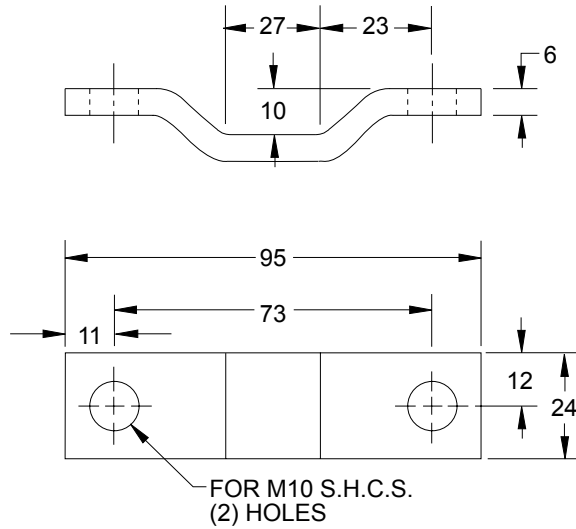
# SCRAP CHUTE HOOK AND RETAINER BRACKET

(M02 SERIES)

GLOBAL STANDARD COMPONENTS  
**NAAMS** 

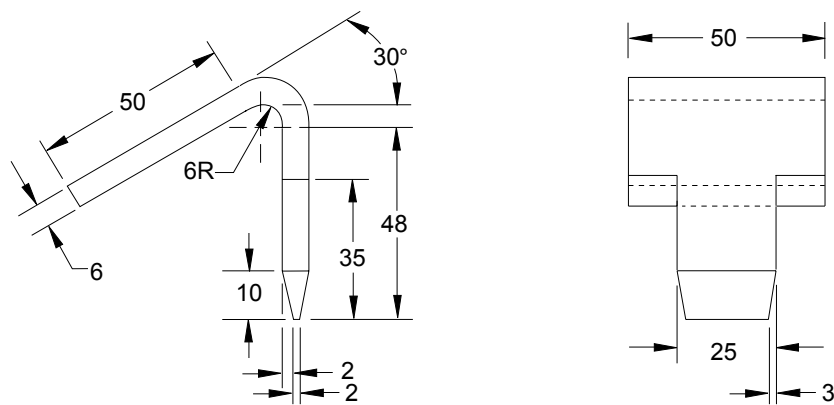
Stamping

04/16/96



## SCRAP CHUTE RETAINER BRACKET

NAAMS CODE
M020001



## SCRAP CHUTE HOOK

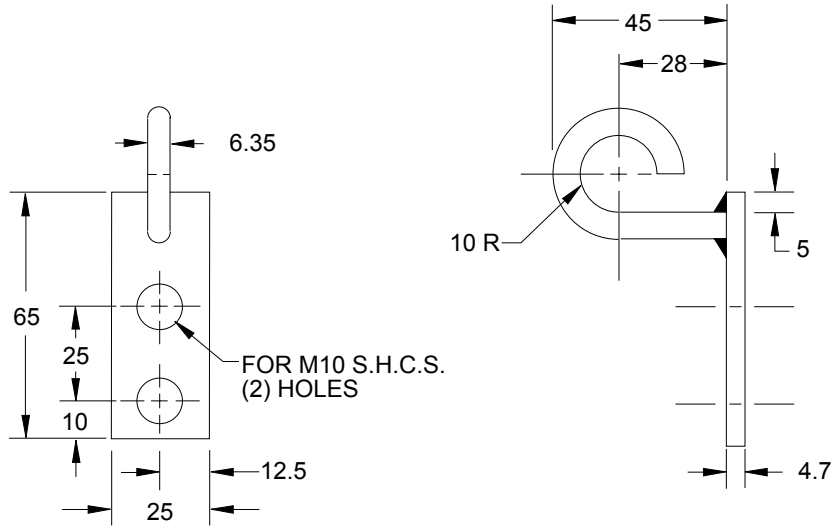
NAAMS CODE
M020002

# SCRAP CHUTE CHAIN HOOKS

(M03 SERIES)

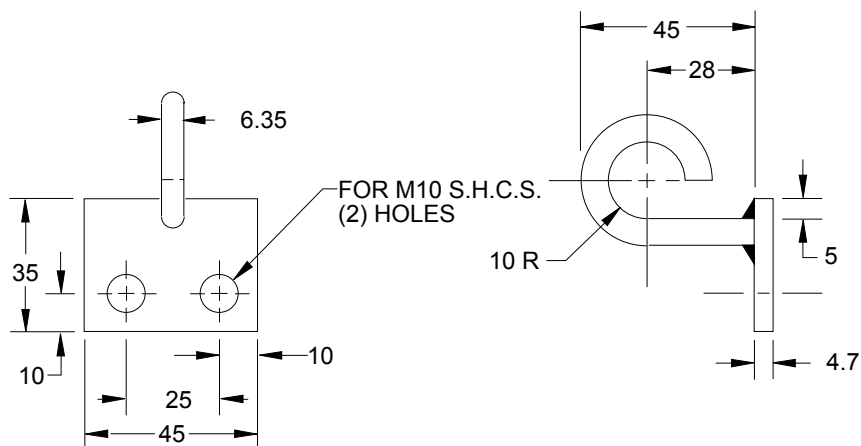
Stamping

01/03/95



**VERTICAL CHAIN HOOK**

<b>NAAMS CODE</b>
M030001



**HORIZONTAL CHAIN HOOK**

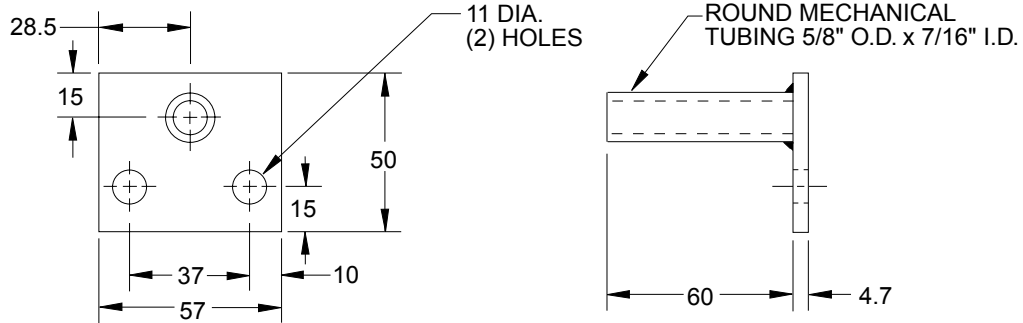
<b>NAAMS CODE</b>
M030002

# SCRAP CHUTE RETAINER BRACKETS

(M04, M05 & M15 SERIES)

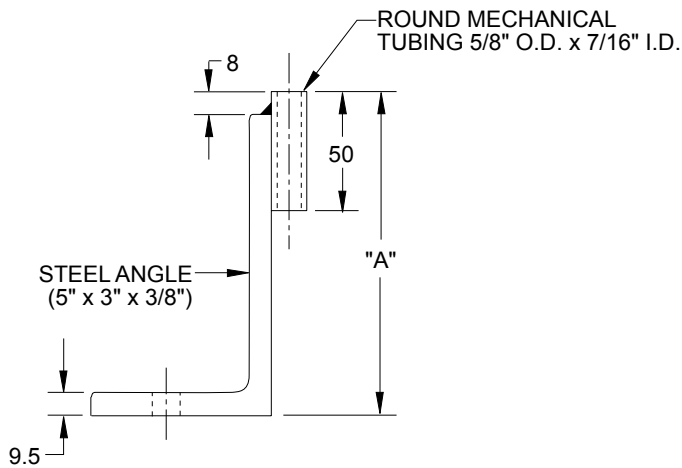
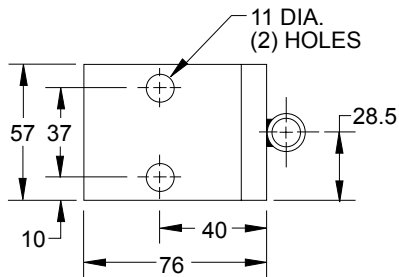
Stamping

01/03/95



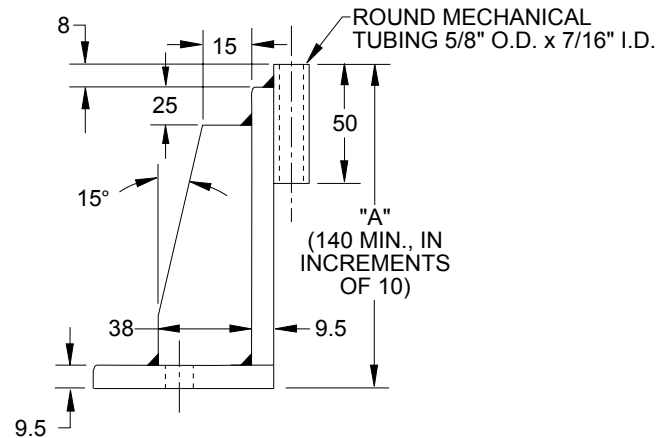
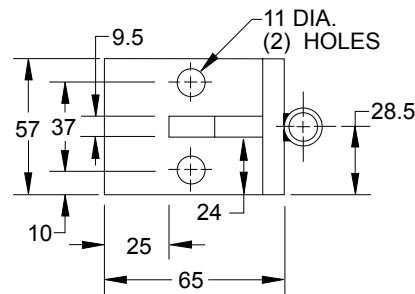
**STUB RETAINER BRACKET**

<b>NAAMS CODE</b>
M040001



**VERTICAL RETAINER BRACKET**

NAAMS CODE	"A"	NAAMS CODE	"A"
M050060	60	M050100	100
M050070	70	M050110	110
M050080	80	M050120	120
M050090	90	M050130	130



**VERTICAL EXT'D. RETAINER BRACKET**

<b>NAAMS CODE</b>
M150XXX

XXX = LENGTH  
EX: M150140 = 140 LENGTH

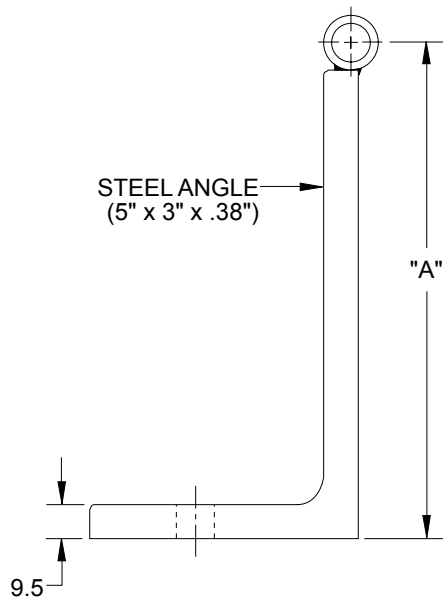
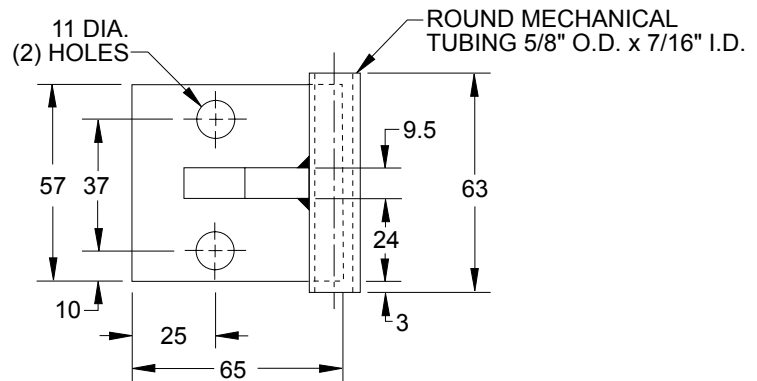
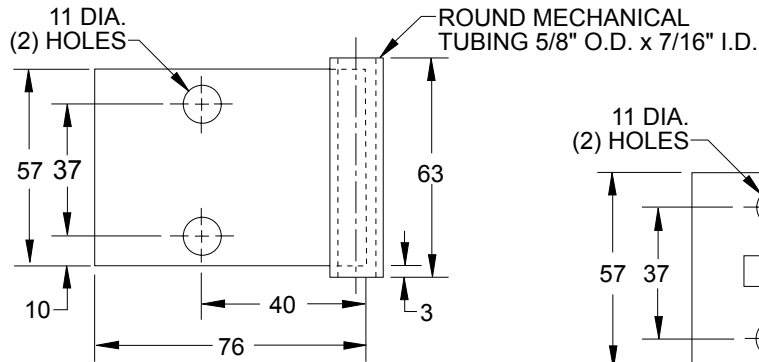
# SCRAP CHUTE STORAGE/ HINGE BRACKETS

(M06 & M16 SERIES)

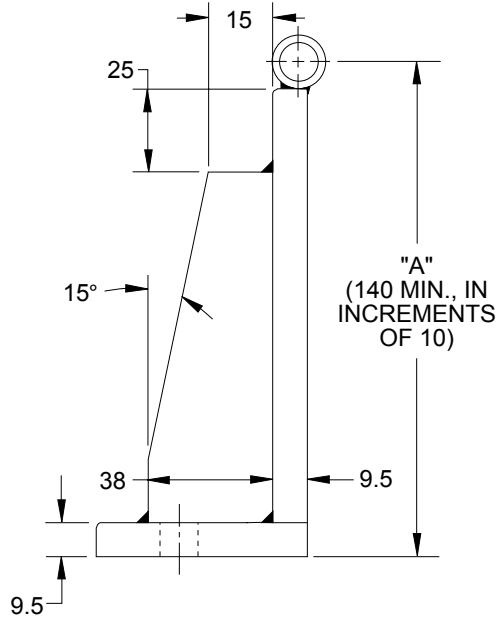


Stamping

01/03/95



**HORIZONTAL STORAGE OR  
HINGE BRACKET**



**HORIZONTAL EXTENDED STORAGE OR  
HINGE BRACKET**

NAAMS CODE	"A"
M060060	60
M060070	70
M060080	80
M060090	90
M060100	100
M060110	110
M060120	120
M060130	130

**NAAMS  
CODE**  
M160XXX

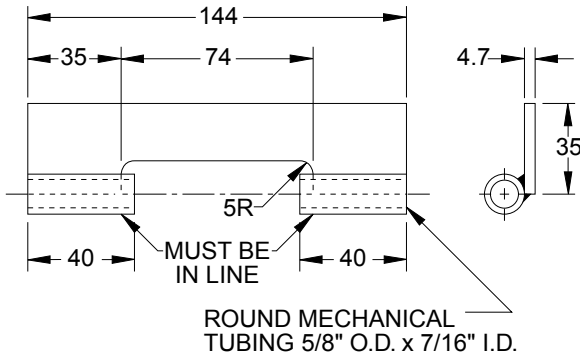
XXX = LENGTH  
EX: M160140 = 140 LENGTH

# SCRAP CHUTE HINGE & PINS

(M07 SERIES)

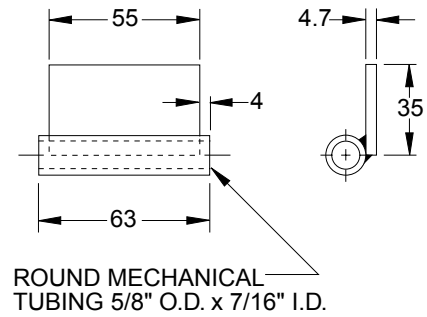
Stamping

01/03/95



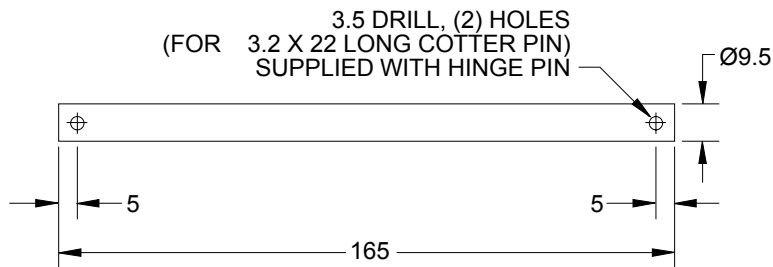
## DUAL HINGE

<b>NAAMS CODE</b>
M070001



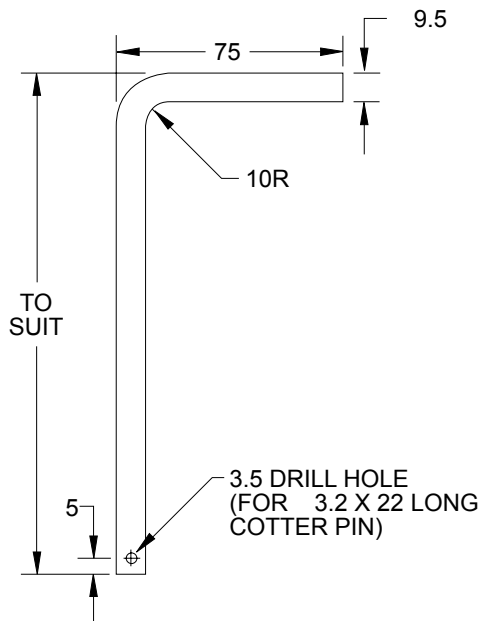
## HINGE OR PIN GUIDE

<b>NAAMS CODE</b>
M070002



## HINGE PIN

<b>NAAMS CODE</b>
M070003



## STORAGE PIN

<b>NAAMS CODE</b>
M070004

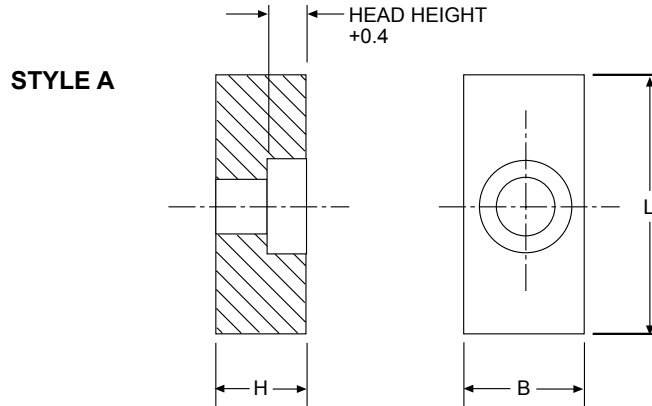


# KEY - RECTANGULAR

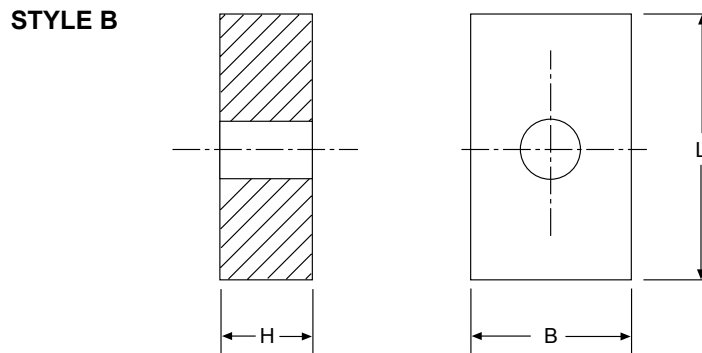
(M08 & M09 SERIES)

Stamping

12/15/00



NAAMS CODE	L ± 0.3	B (h9) X H	SOCKET HEAD CAP SCR. REQ'D
M082008	80	20 X 20	M8 X 25
M082205	50	22 X 14	M8 X 20
M082208	80		
M082210	100		
M082405	50	25 X 20	M10 X 25
M082408	80		
M082410	100		
M082505	50	25 X 25	M10 X 30
M082508	80		
M082510	100		
M083010	100	30 X 30	
M083210	100	32 X 25	



NAAMS CODE	L ± 0.3	B (h9) X H	SOCKET HEAD CAP SCR. REQ'D
M092008	80	20 X 12	M10 X 30
M092012	125		
M093205	50	32 X 18	
M093208	80		
M093210	100		

MATERIAL: STEEL MIN 340 MPa

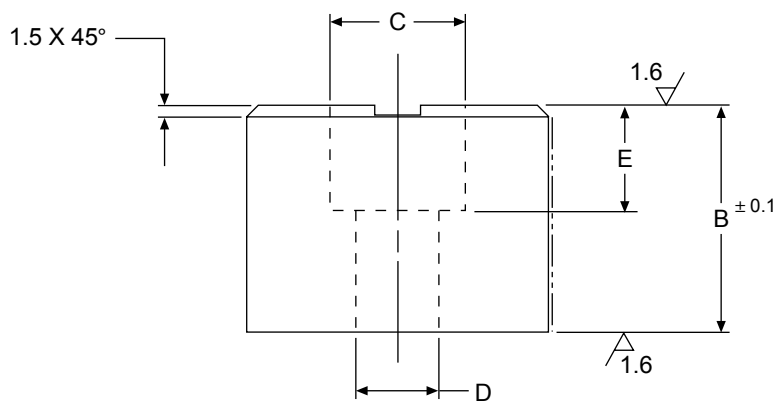
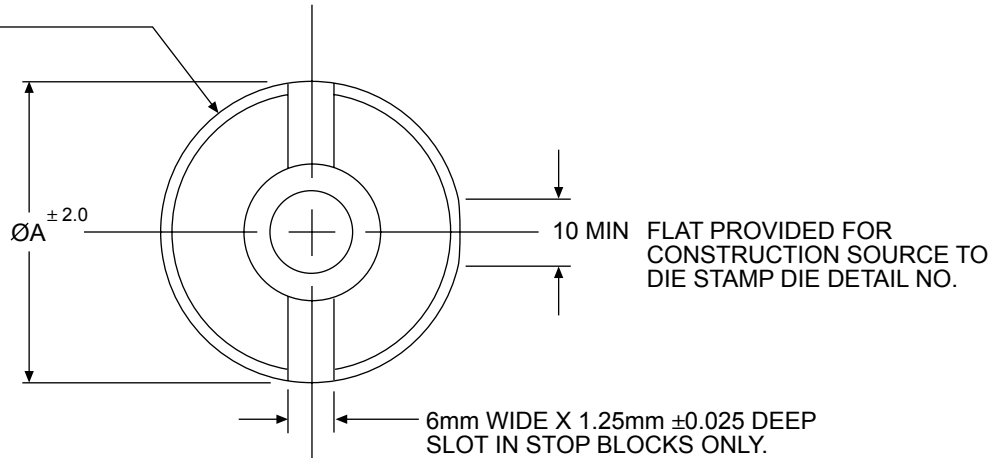
BREAK ALL CORNERS

**A**

# STOP BLOCKS

(M10 SERIES)

PERMANENTLY MARK NAAMS  
 PART NUMBER AND  
 MANUFACTURER'S BRAND  
 ON SIDE OF STOP BLOCK,  
NOT ON FLAT.



NAAMS CODE	$\varnothing A$	B	$\varnothing C$	$\varnothing D$	$\varnothing E$
M100403	40	30	18	11.0	20
M100605	60	50	20	13.5	20
M100610	60	100	20	13.5	24
M100805	80	50	20	13.5	20
M101005	100	50	20	13.5	20

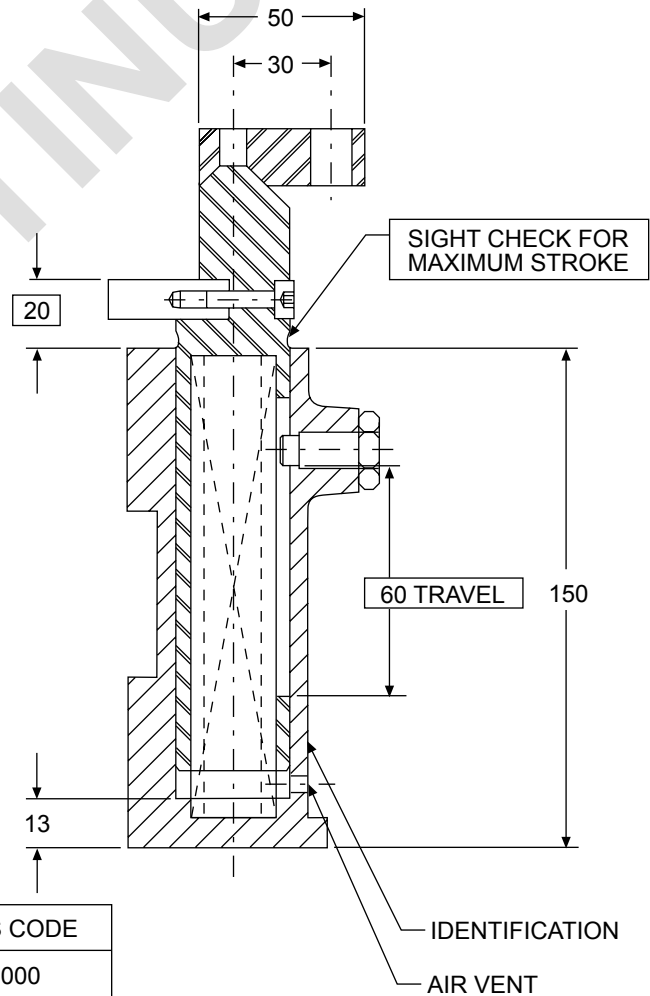
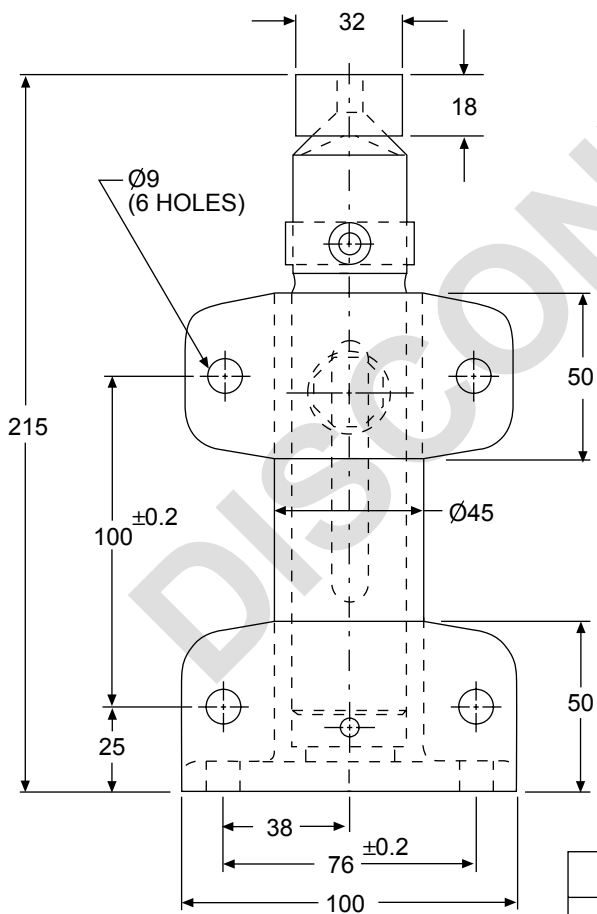
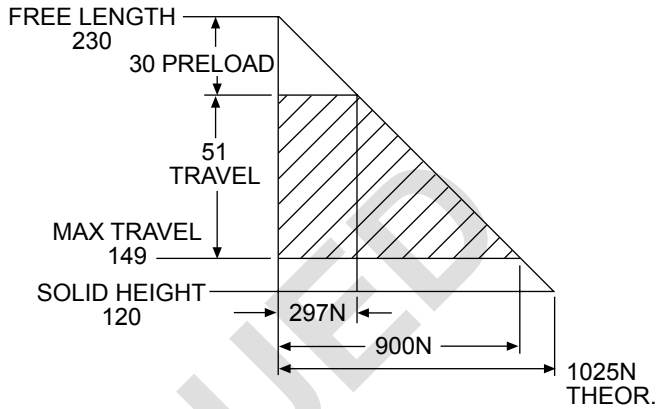
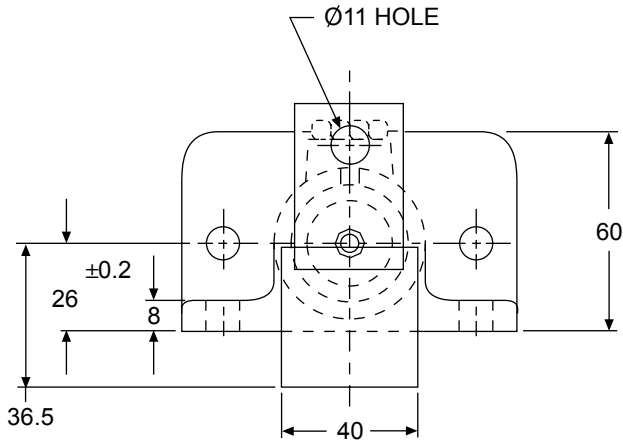
MATERIAL: STEEL

# FLANGE STRIPPER WITH COIL SPRING

(M11 SERIES)

Stamping

08/23/06



NAAMS CODE  
 M110000

**IDENTIFICATION:**

EACH PART MUST BE PERMANENTLY MARKED WITH THE FULL ORDERING NUMBER AND MANUFACTURER'S BRAND.

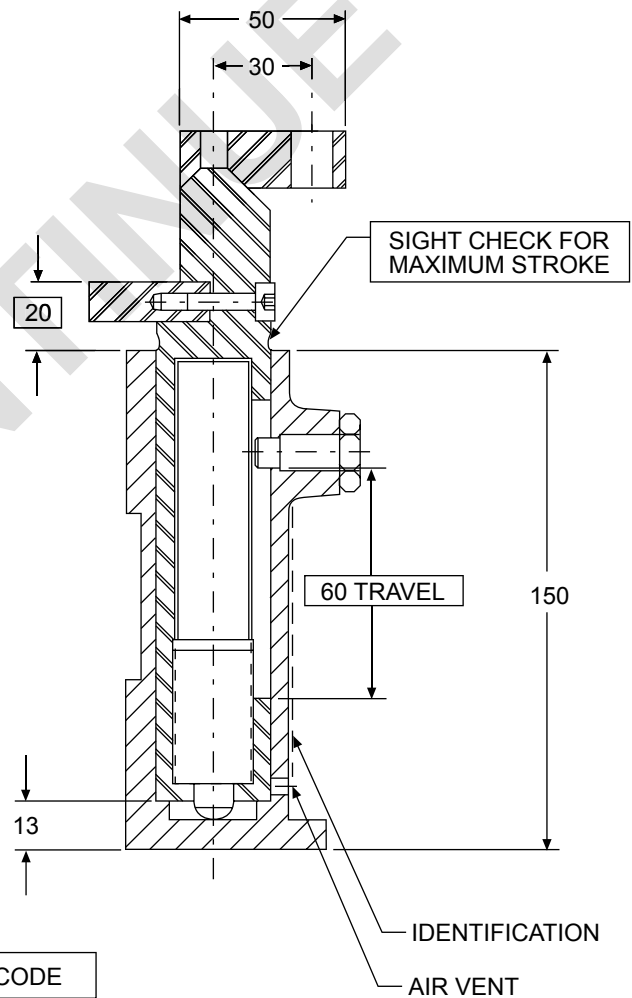
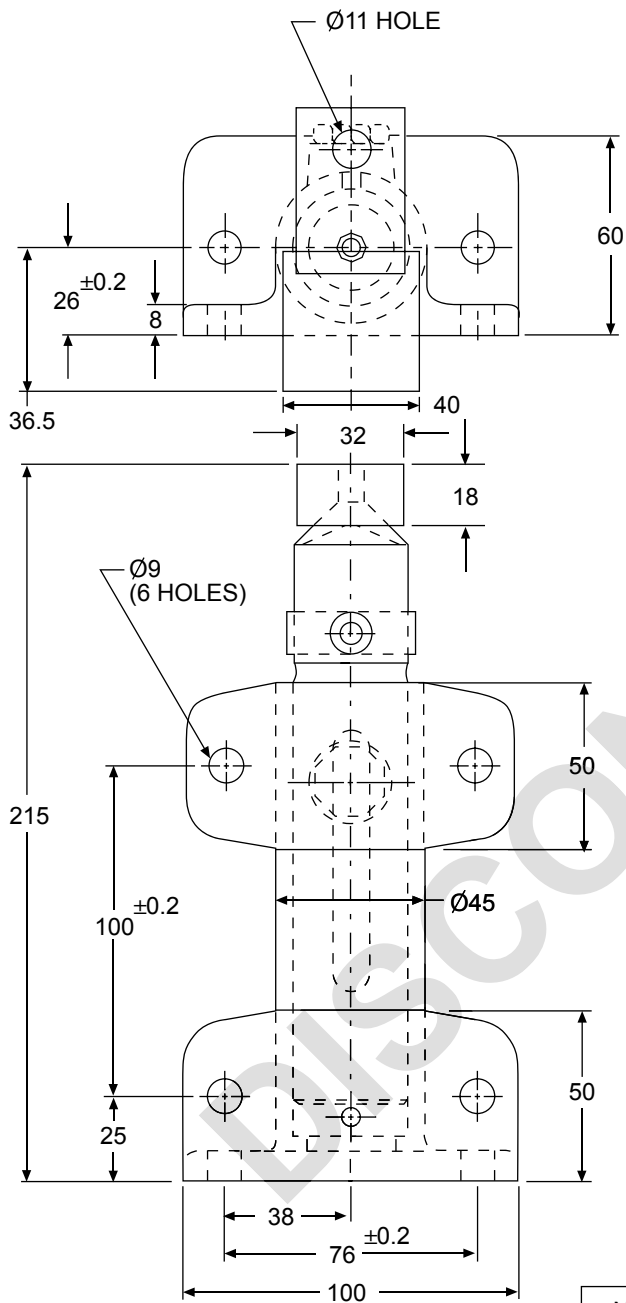
A

# FLANGE STRIPPER WITH GAS SPRING

(M12 SERIES)

Stamping

12/15/00



NAAMS CODE
MI20000

**CAUTION:**  
 USE SELF-CONTAINED NITROGEN SPRING  
 WITH MAX. 20 BAR FILLING PRESSURE

**IDENTIFICATION:**  
 EACH PART MUST BE PERMANENTLY MARKED WITH THE FULL ORDERING NUMBER  
 AND MANUFACTURER'S BRAND.

# FLANGE STRIPPER ASSEMBLY

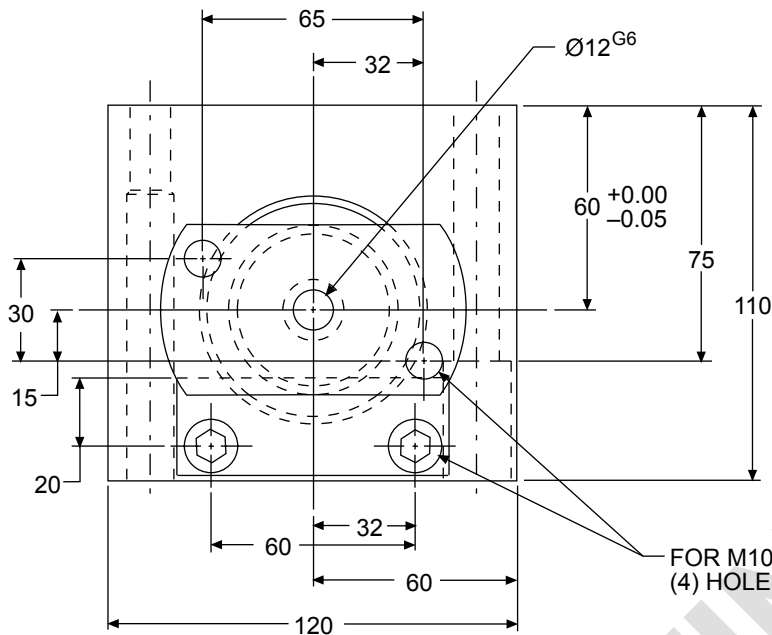
(M13 SERIES)

GLOBAL STANDARD COMPONENTS



Stamping

08/23/06



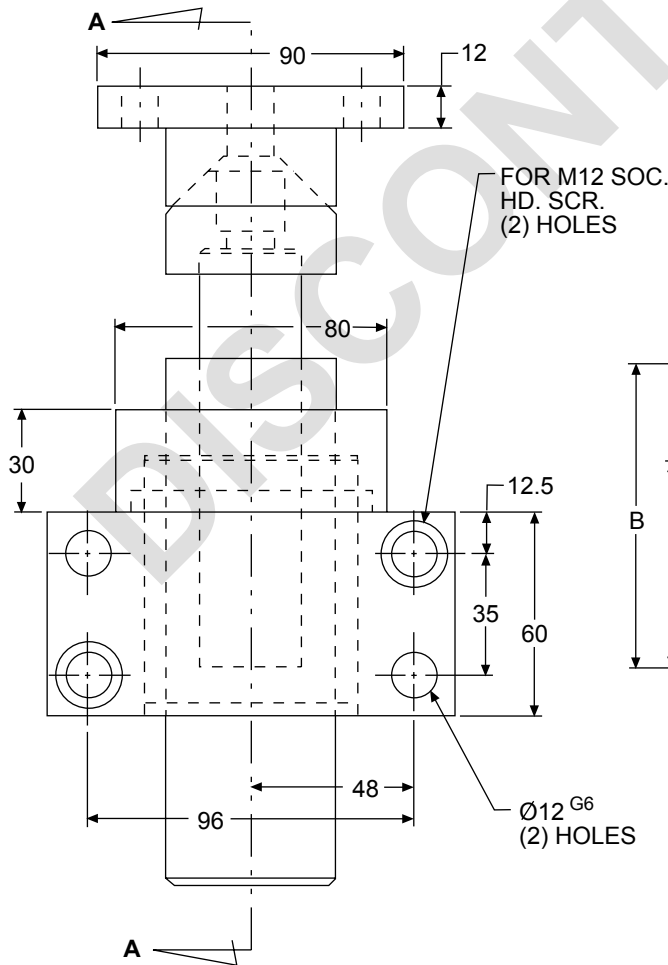
NAAMS CODE
MI30000

FLANGE STRIPPER ASSEMBLY  
CONSISTS OF:

- (A) LOCATING CONE UNIT M130010
- (B) GUIDE SHAFT M130020
- (C) BUSHING BLOCK M130030
- (D) RETAINER AND GUIDE BLOCK M130040
- (E) BUSHING G615071

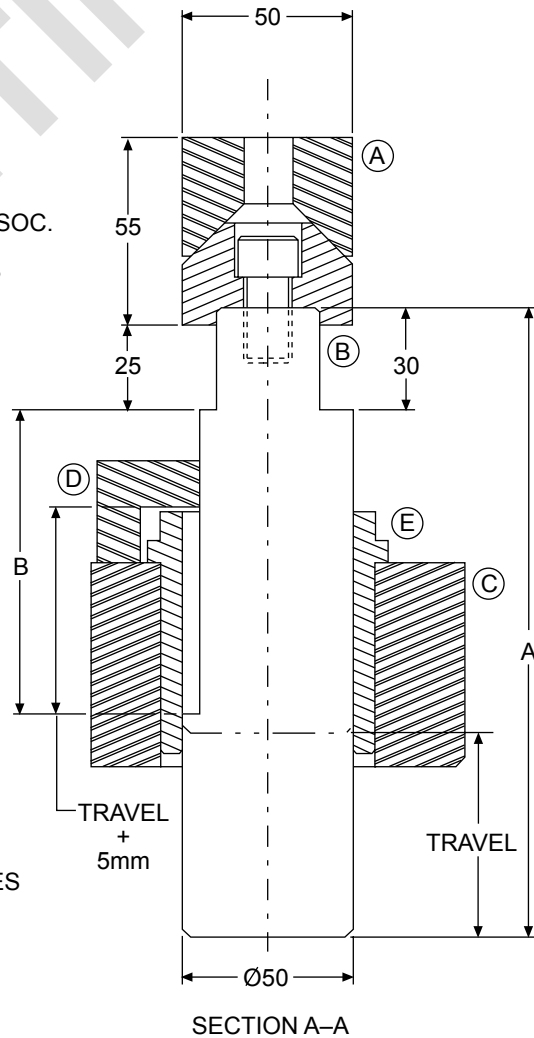
• SEE FOLLOWING PAGES FOR DETAILS

FOR M10 SOC. HD. SCR.  
(4) HOLES



FOR M12 SOC. HD. SCR.  
(2) HOLES

Ø12 G6  
(2) HOLES



SECTION A-A

A

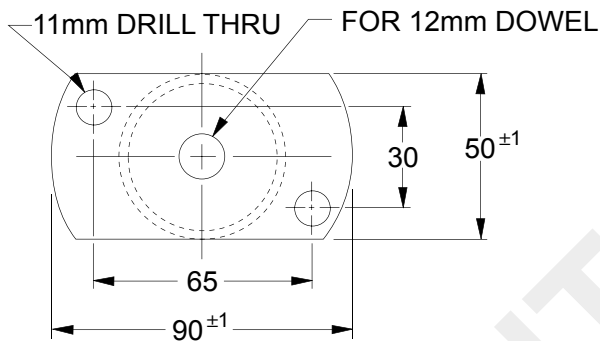
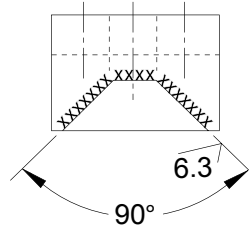
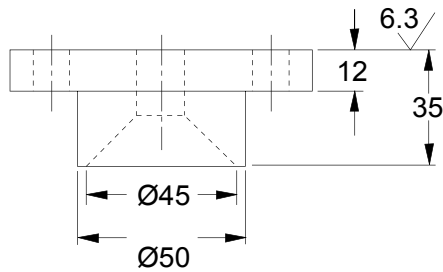
B

# FLANGE STRIPPER ASSEMBLY LOCATING CONE UNIT

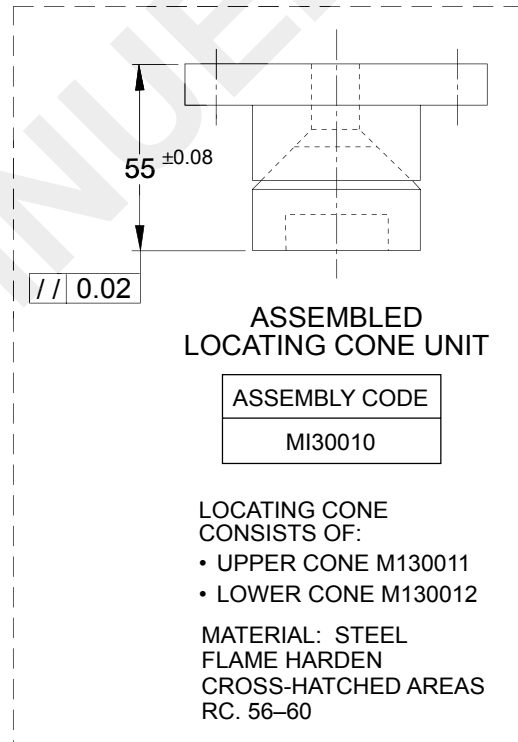
(M13 SERIES)

Stamping

12/15/00



NAAMS CODE
MI30011

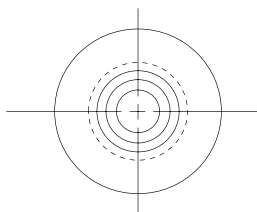
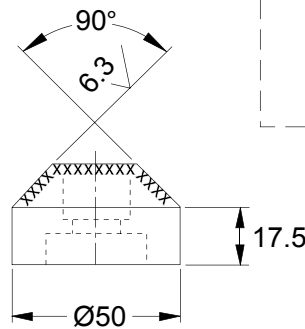
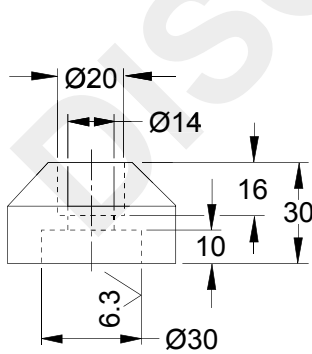


ASSEMBLED  
LOCATING CONE UNIT

ASSEMBLY CODE
MI30010

LOCATING CONE  
CONSISTS OF:  
• UPPER CONE M130011  
• LOWER CONE M130012

MATERIAL: STEEL  
FLAME HARDEN  
CROSS-HATCHED AREAS  
RC. 56-60



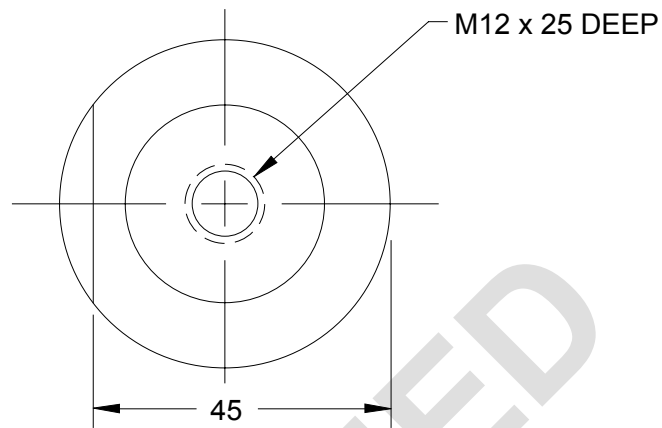
NAAMS CODE
MI30012

# FLANGE STRIPPER ASSEMBLY GUIDE SHAFT

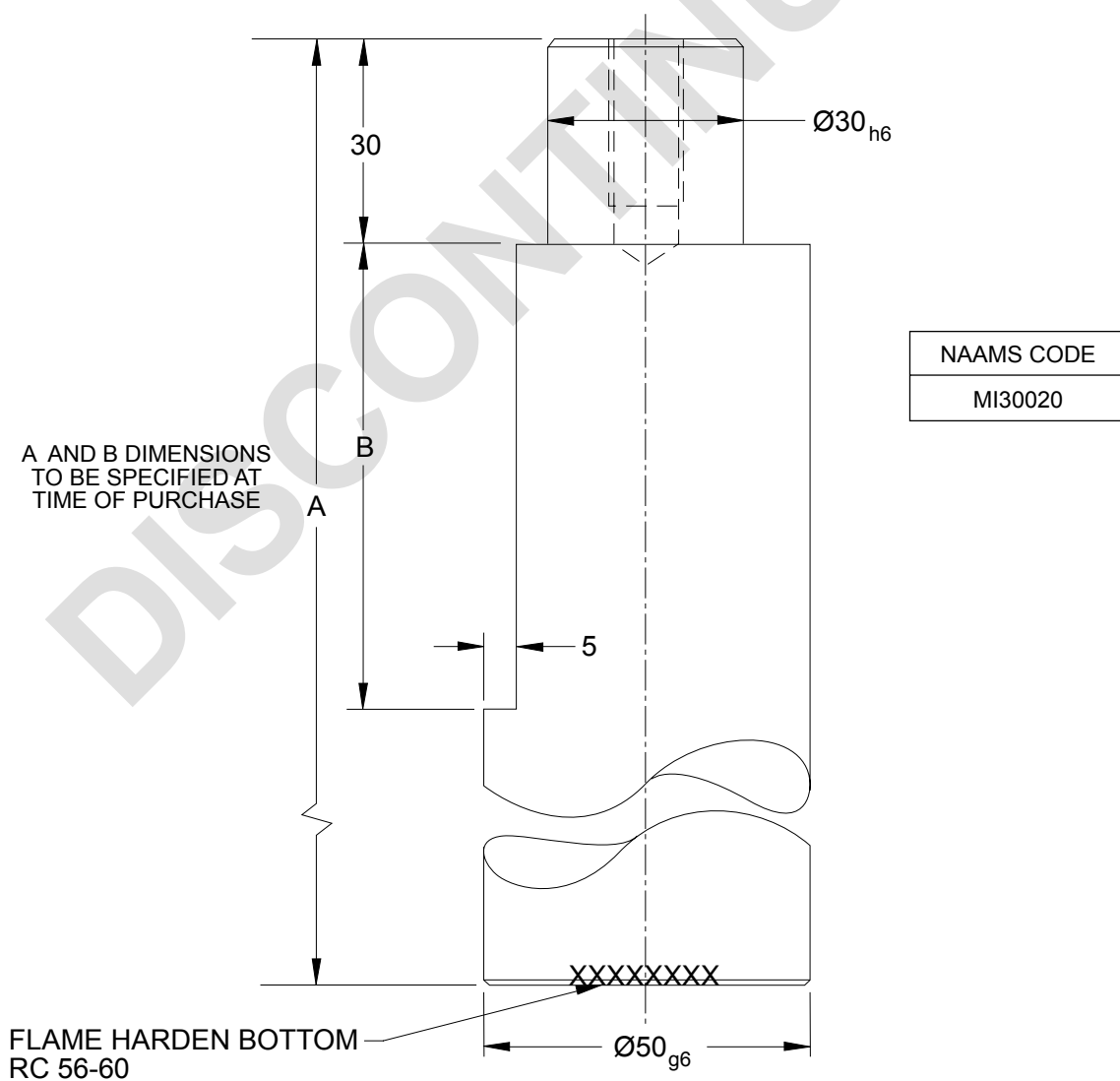
(M13 SERIES)

Stamping

08/23/06



MATERIAL: STEEL



A





# FLANGE STRIPPER ASSEMBLY RETAINER AND GUIDE BLOCK

(M13 SERIES)

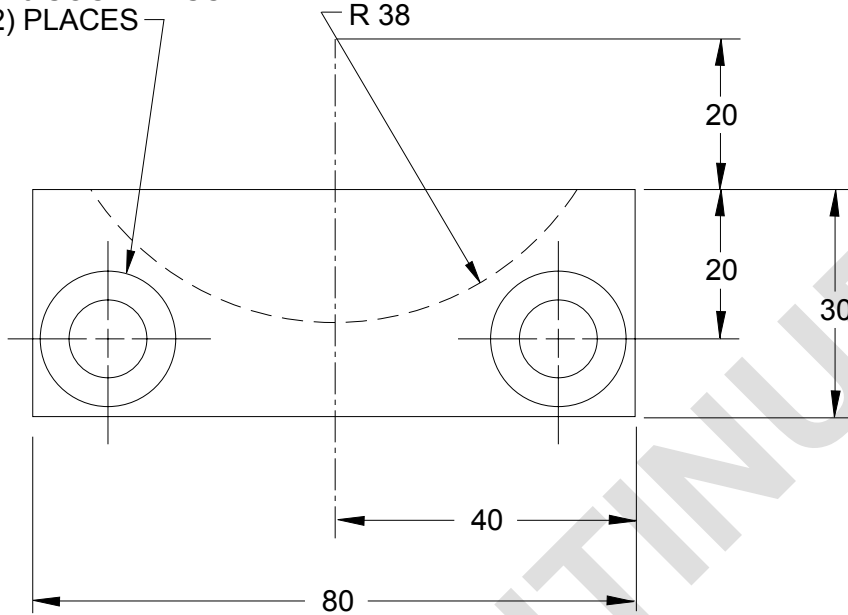
GLOBAL STANDARD COMPONENTS



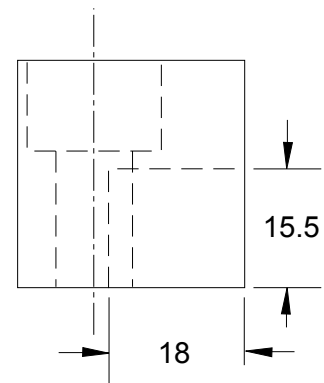
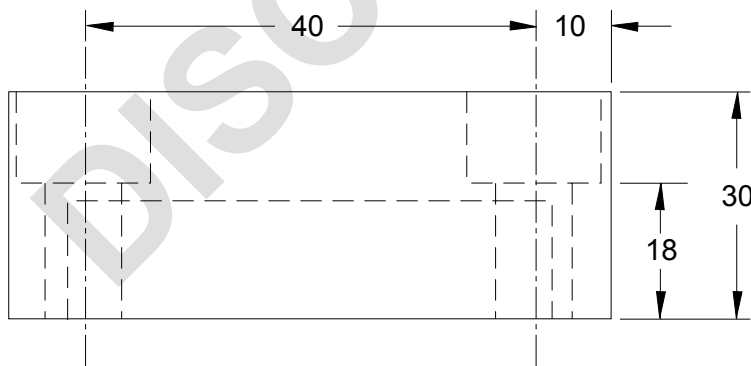
Stamping

08/23/06

DRILL AND C'BORE FOR  
M10 SOC. HD. SCR.  
(2) PLACES



NAAMS CODE
MI30040



RETAINER & GUIDE BLOCK  
MATERIAL: STEEL

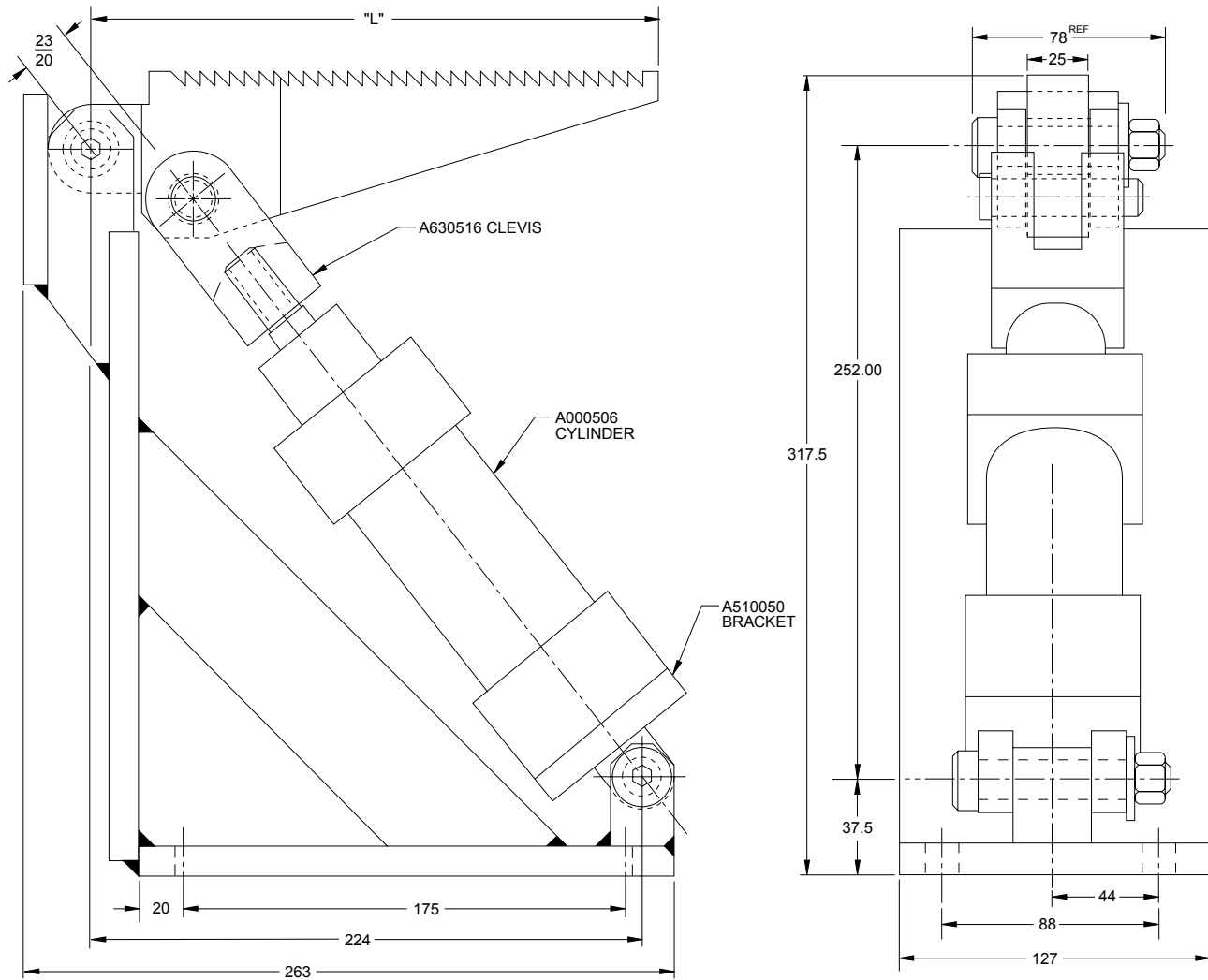
A

# STOCK CROWDER

(M17 SERIES)

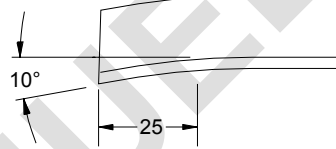
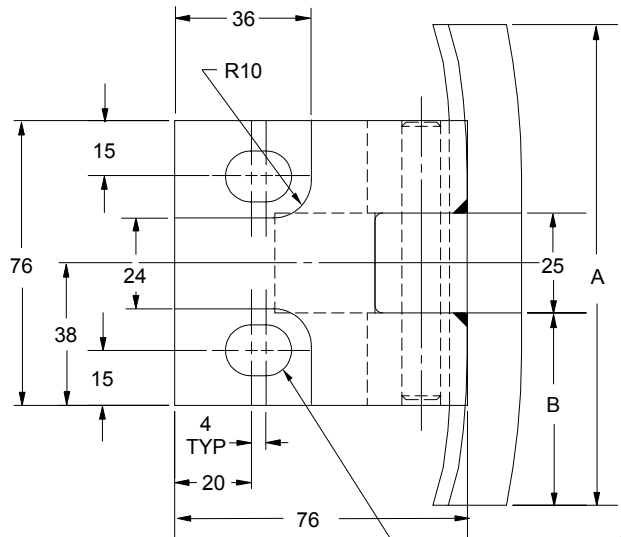
Stamping

10/19/01

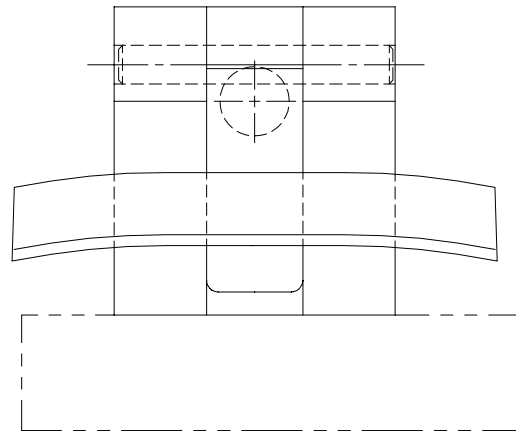
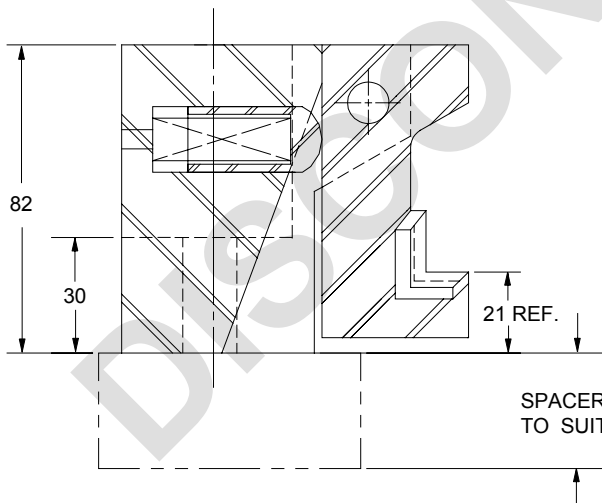


NAAMS CODE	L
M170230	230
M170280	280
M170330	330
M170380	380

# BLANK SUPPORT (M18 Series)

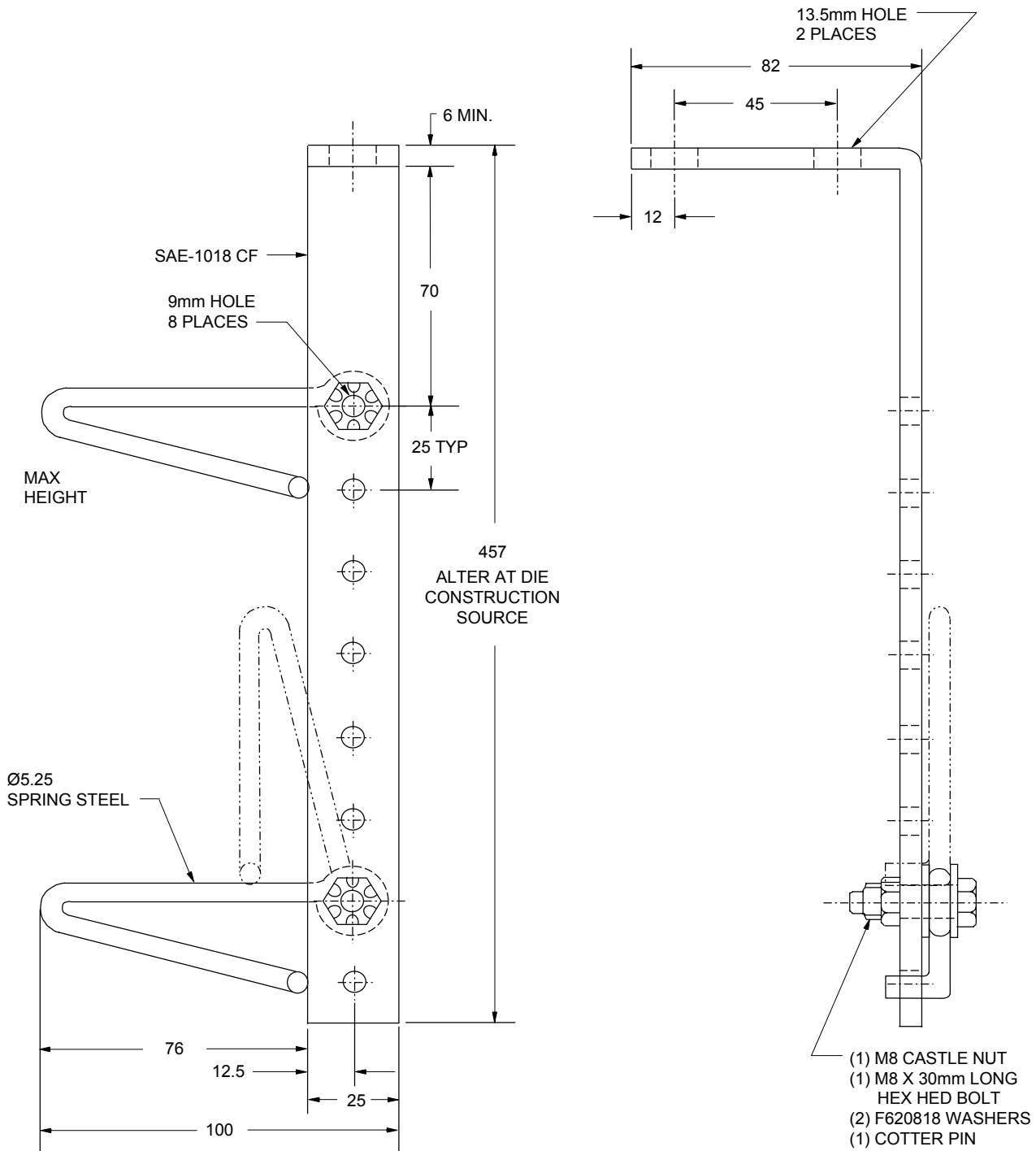


A



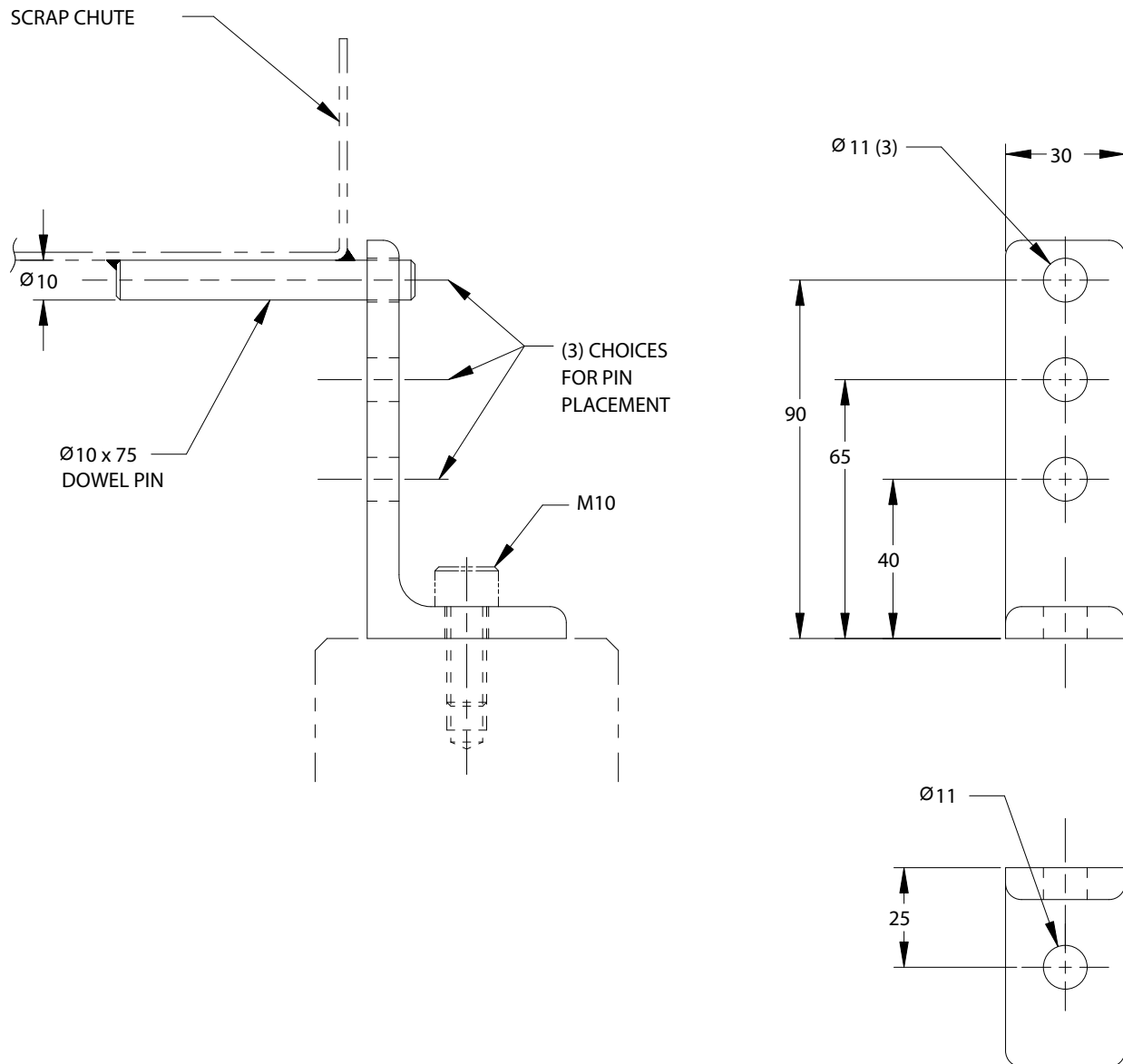
NAAMS CODE	A	B
M181205	125	50
M182511	255	115
M183817	381	178

# SCRAP FLIPPER (M19 Series)



# SCRAP CHUTE BRACKET (M20 Series)

\*MATERIAL: Angle Iron - 8 x 50 x 100 x 30



# 18mm BLANK SENSOR

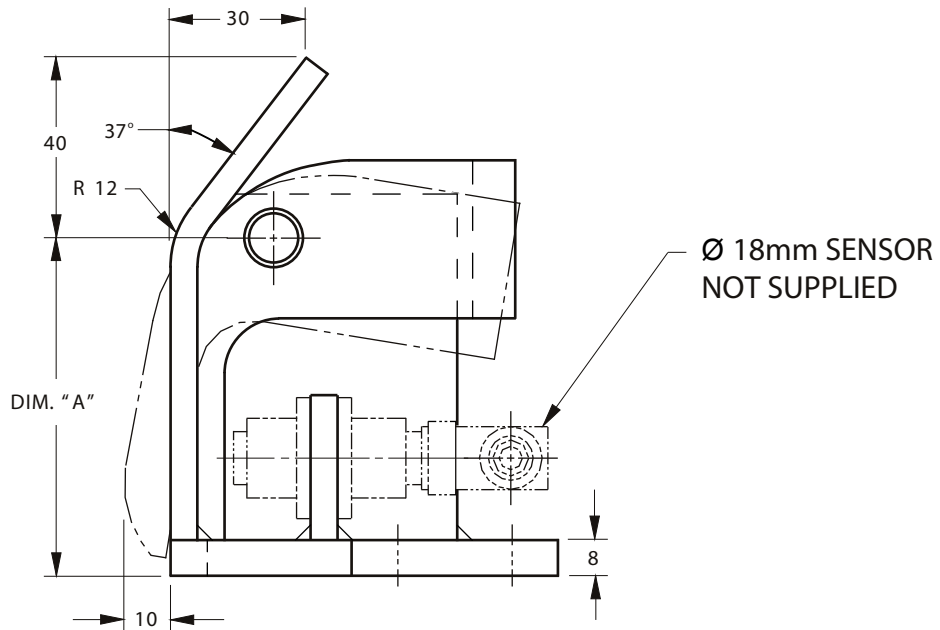
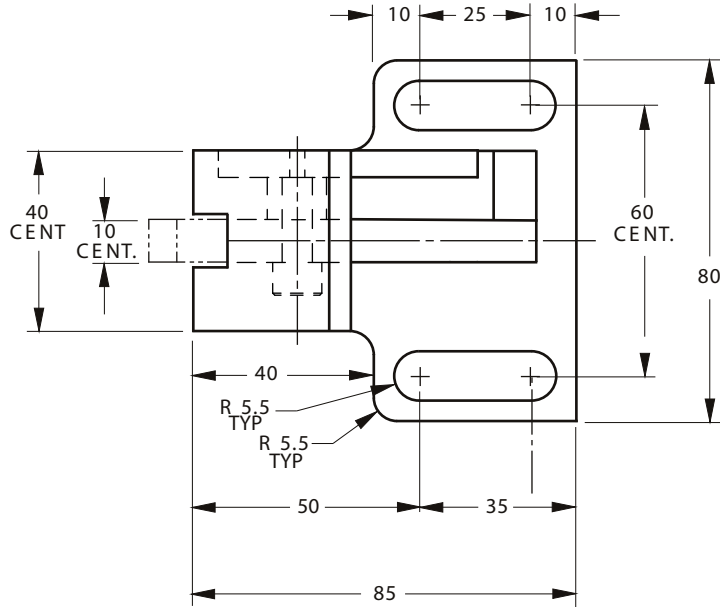
(M21 SERIES)

GLOBAL STANDARD COMPONENTS



Stamping

06/07/07



### FASTENERS

2	M10 x 30 SOCKET HEAD CAP SCREWS F011012
2	M10 SAE LOCK WASHERS
2	M10 SAE FLAT WASHERS

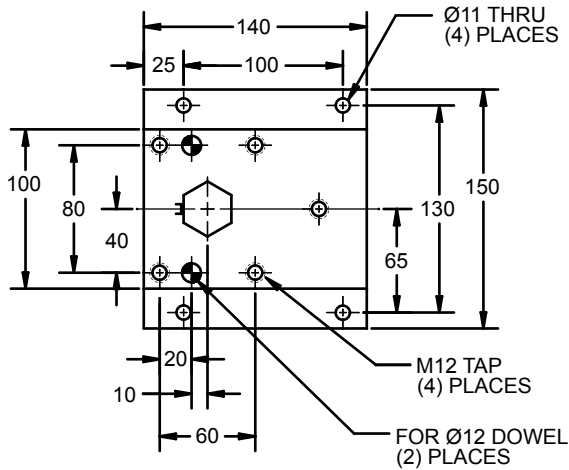
NAAMS CODE	DIM "A"
M210075	75
M210100	100
M210150	150

# FLANGE STRIPPER AIR ACTIVATED

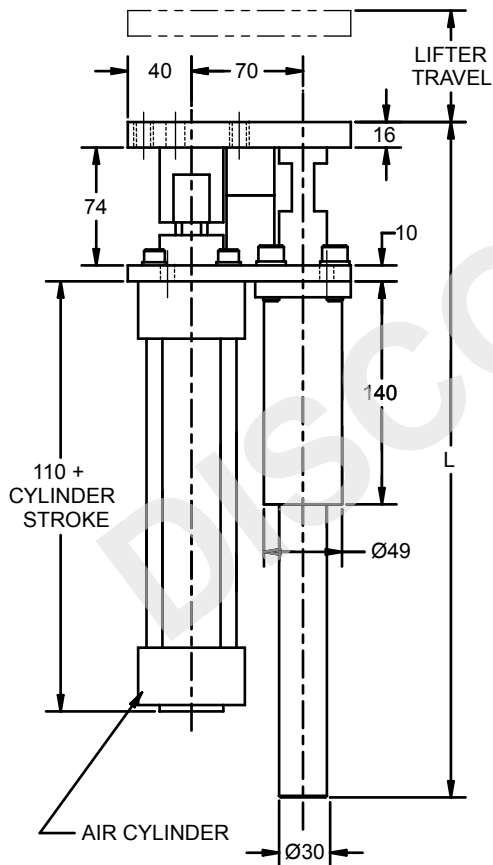
(M22 SERIES)

Stamping

09/16/08



NAAMS CODE	CYLINDER STROKE	LIFTER TRAVEL	L
M220807	80	70	344
M221009	100	90	364
M221615	160	150	424
M222019	200	190	464



A

B

# LIFT RAIL ASSEMBLY

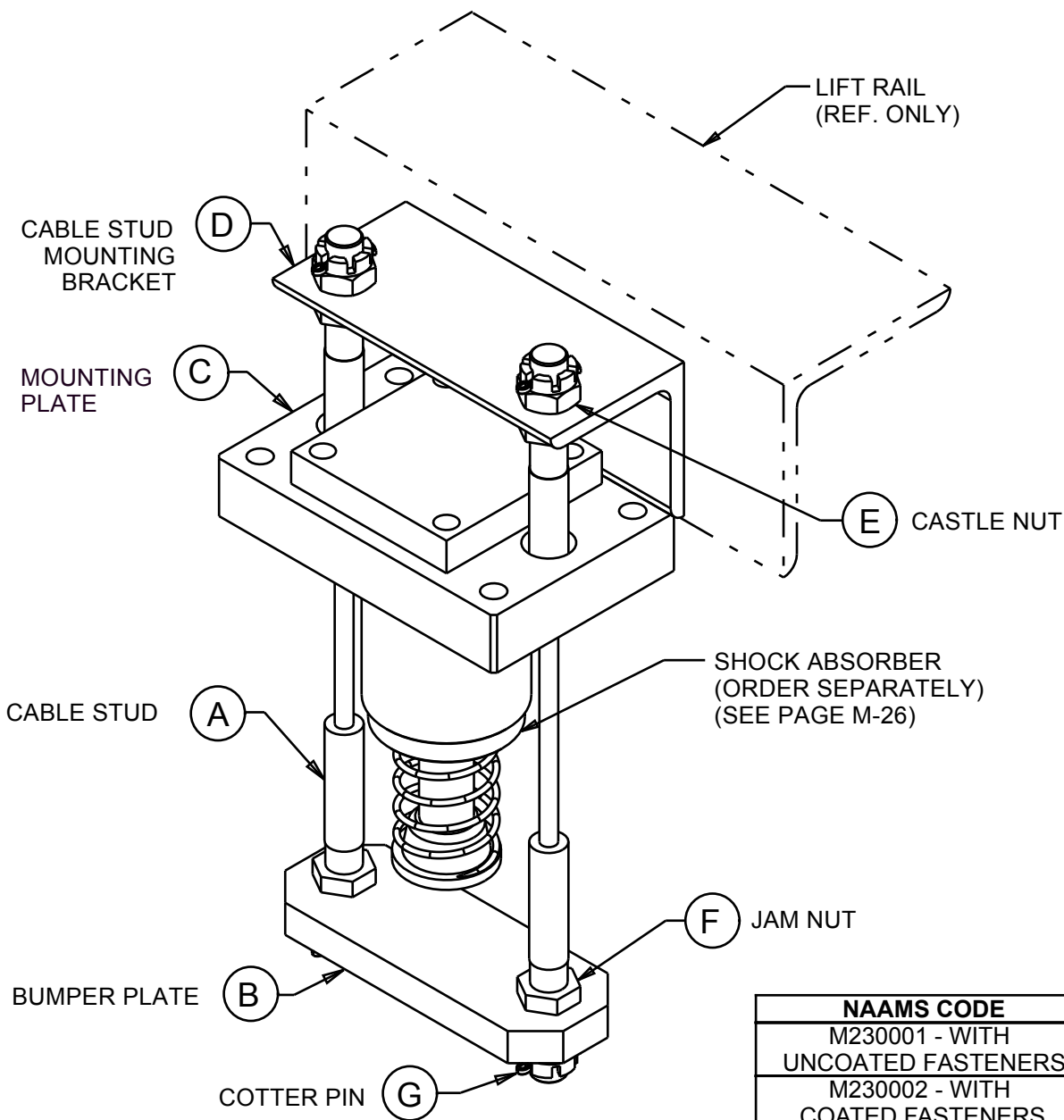
(M23 SERIES)

GLOBAL STANDARD COMPONENTS

TM **NAAMS** 

Stamping

10/20/10



NAAMS CODE	
M230001	- WITH UNCOATED FASTENERS
M230002	- WITH COATED FASTENERS

DET.	QUAN.	NAME	NAAMS CODE/ SPECIFICATION	PAGE REF.
A	2	CABLE STUD	M230010	M-24
B	1	BUMPER PLATE	M230011	M-25
C	1	MOUNTING PLATE	M230012	M-24
D	1	CABLE STUD MOUNTING BRACKET	M230013	M-25
E	4	CASTLE NUT	F922430 (UNCOATED) F922430B (COATED)	---
F	4	JAM NUT	F472243 (UNCOATED) F472243B (COATED)	F-17
G	4	COTTER PIN	F9305050	---



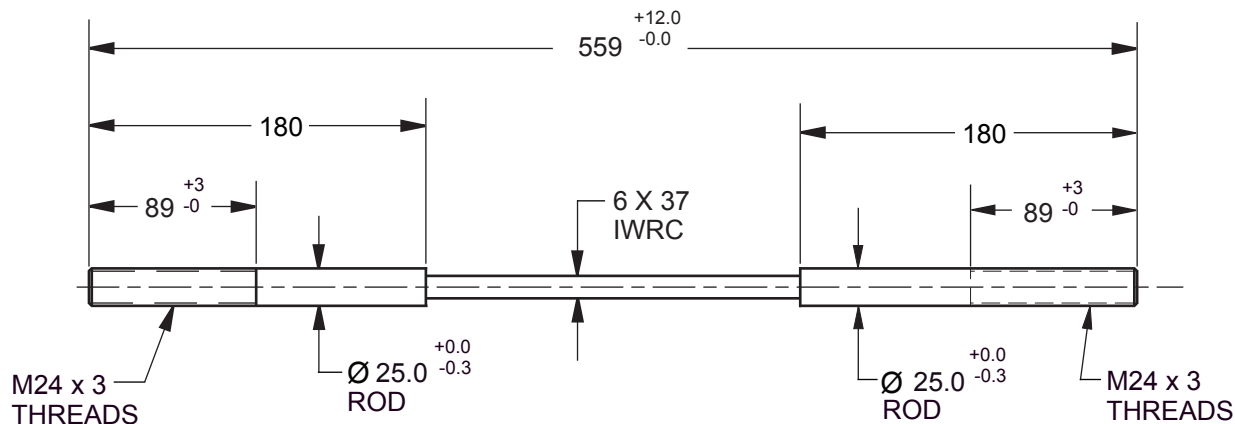
# LIFTER RAIL CABLE STUD & MOUNTING PLATE

GLOBAL STANDARD COMPONENTS

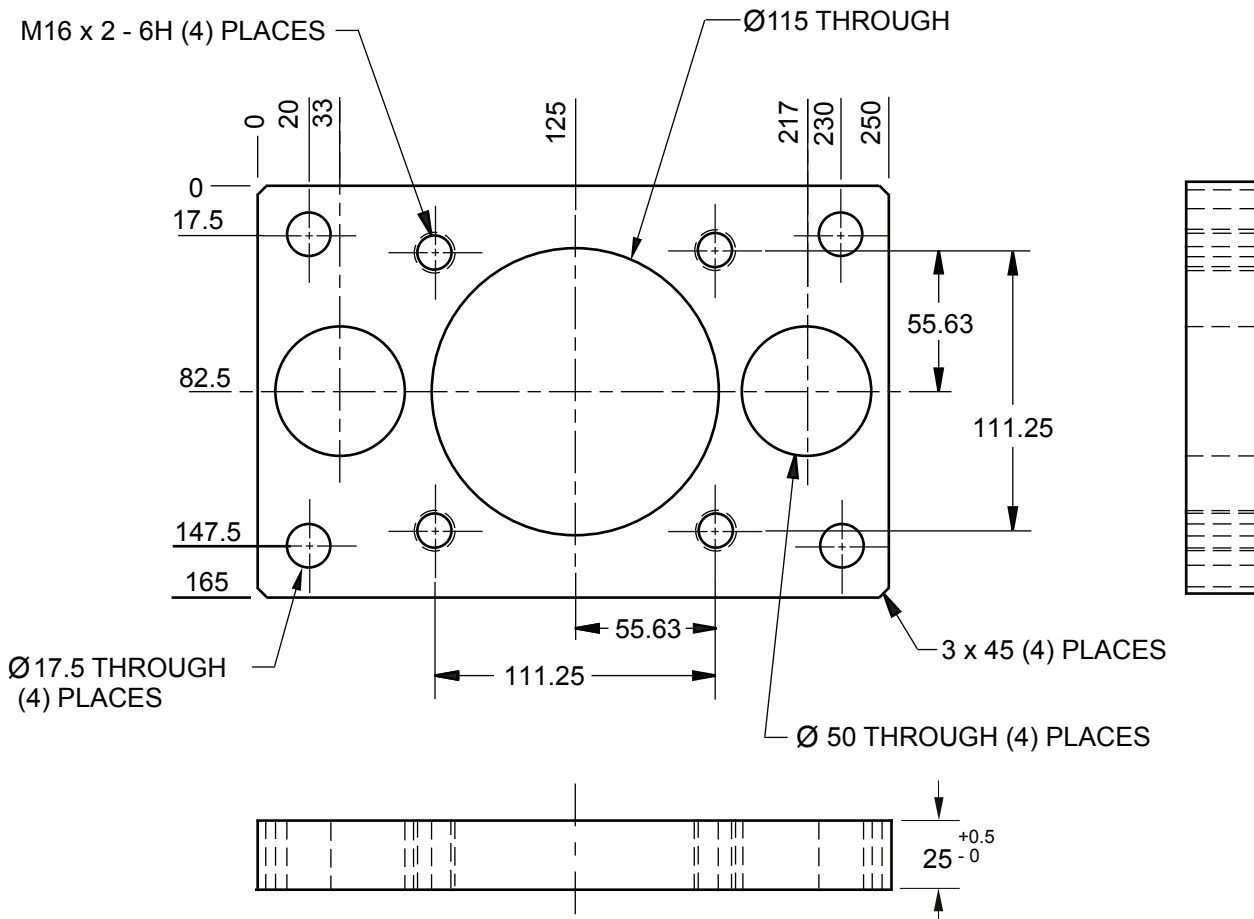


Stamping

10/20/10

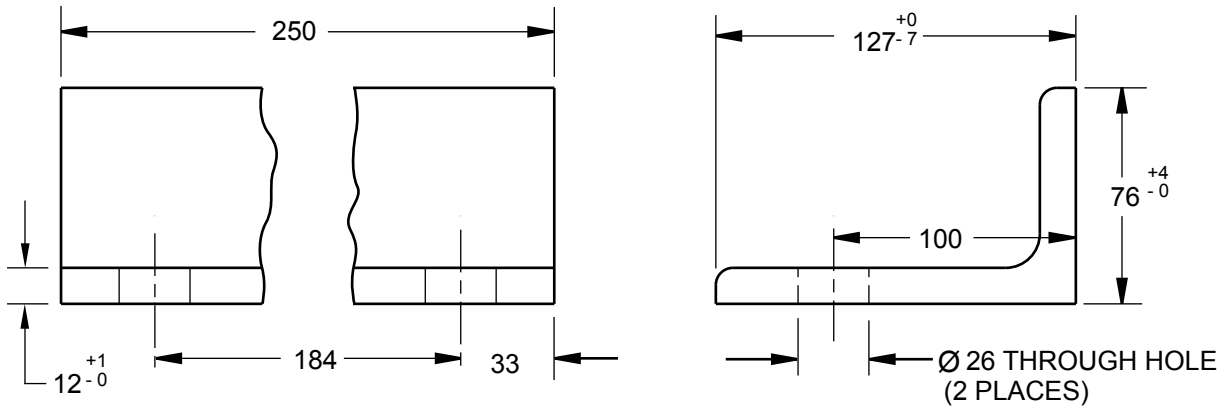


**CABLE STUD**  
NAAMS CODE M230010

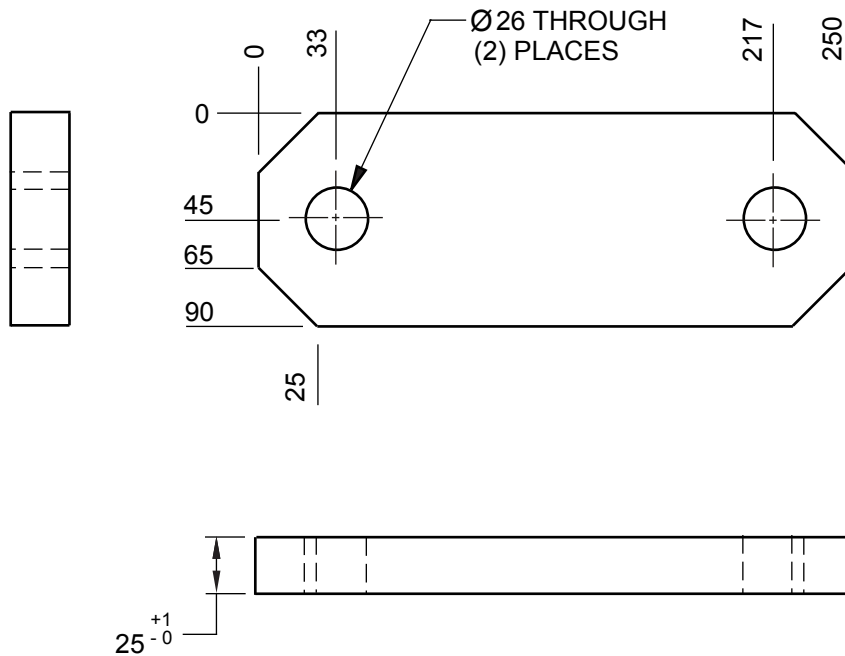


**MOUNTING PLATE**  
NAAMS CODE M230012

# LIFT RAIL CABLE STUD MOUNTING BRACKET & BUMPER PLATE



CABLE STUD MOUNTING BRACKET  
 NAAMS CODE M230013



BUMPER PLATE  
 NAAMS CODE M230011

# LIFTER RAIL SHOCK ABSORBER

(M230021)

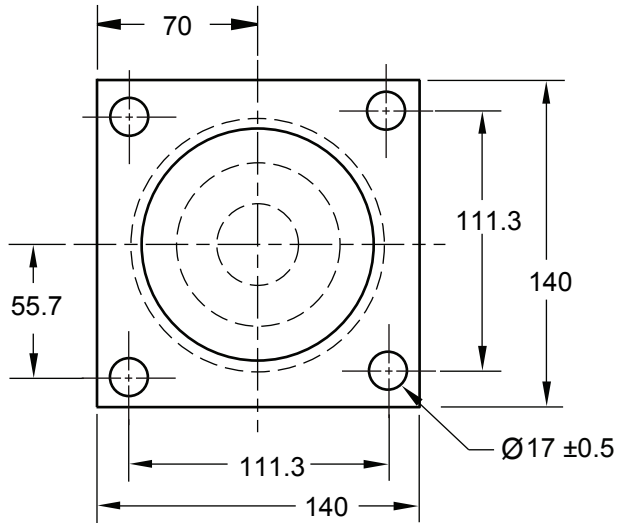
GLOBAL STANDARD COMPONENTS



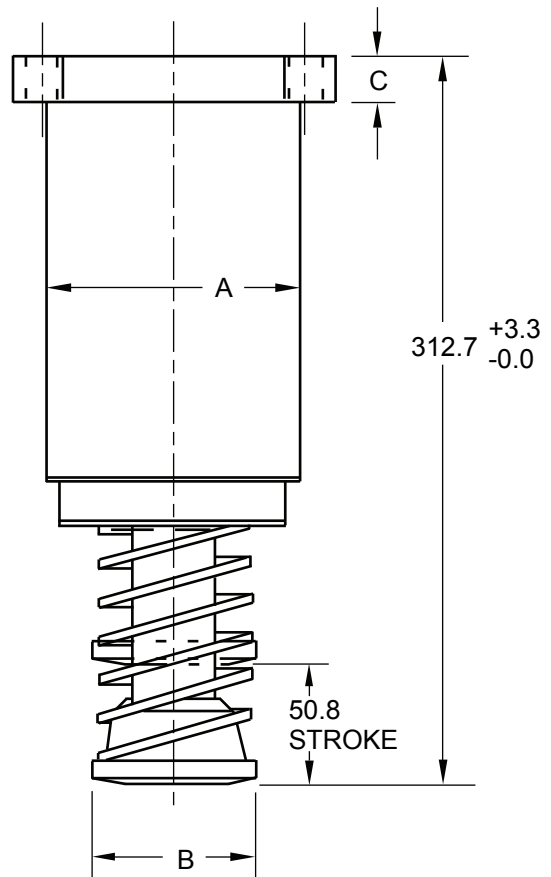
Stamping

10/20/10

- Shock absorber unit to be supplied with mount attached.
- Energy dissipation 3520 N-m/cycle minimum.



	MAX. DIM.	MIN. DIM.
A	114.3	108
B	88.1	70
C	25.4	19.1



**SHOCK ABSORBER**

# BLANK SUPPORT

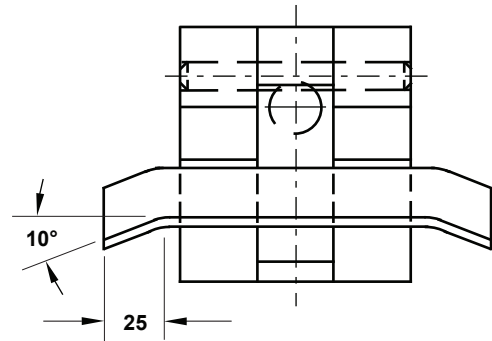
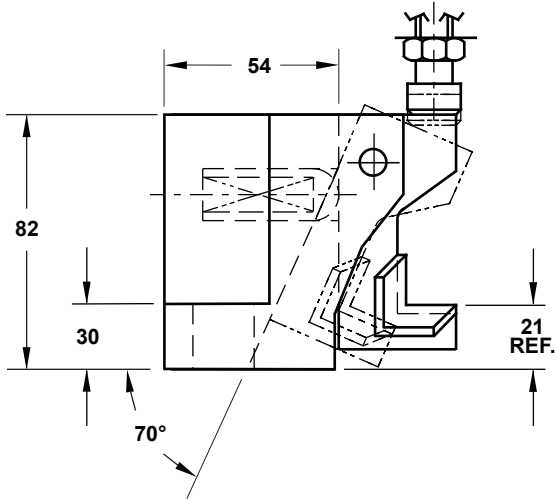
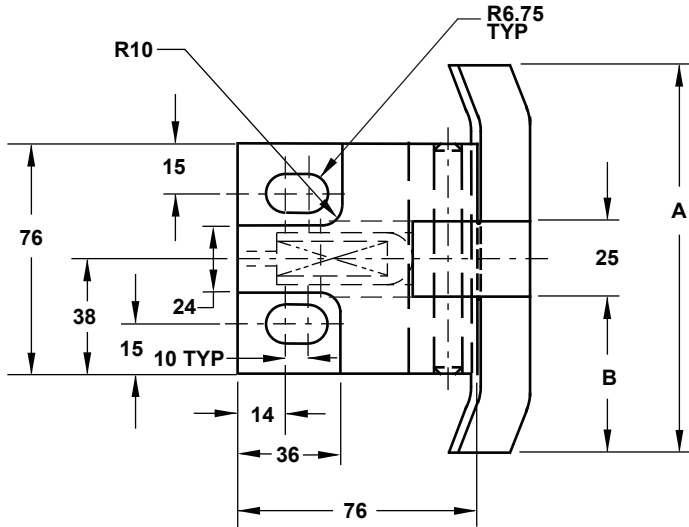
(M27 SERIES)

GLOBAL STANDARD COMPONENTS



Stamping

08/01/11



NAAMS CODE	A (mm)	B (mm)
M271205	125	50
M272511	255	115
M273817	381	178

**NOTES AND SPECIFICATIONS:**

MATERIAL: STEEL

# CAST - IN FLANGE STRIPPER ASSEMBLY

(M28 SERIES)

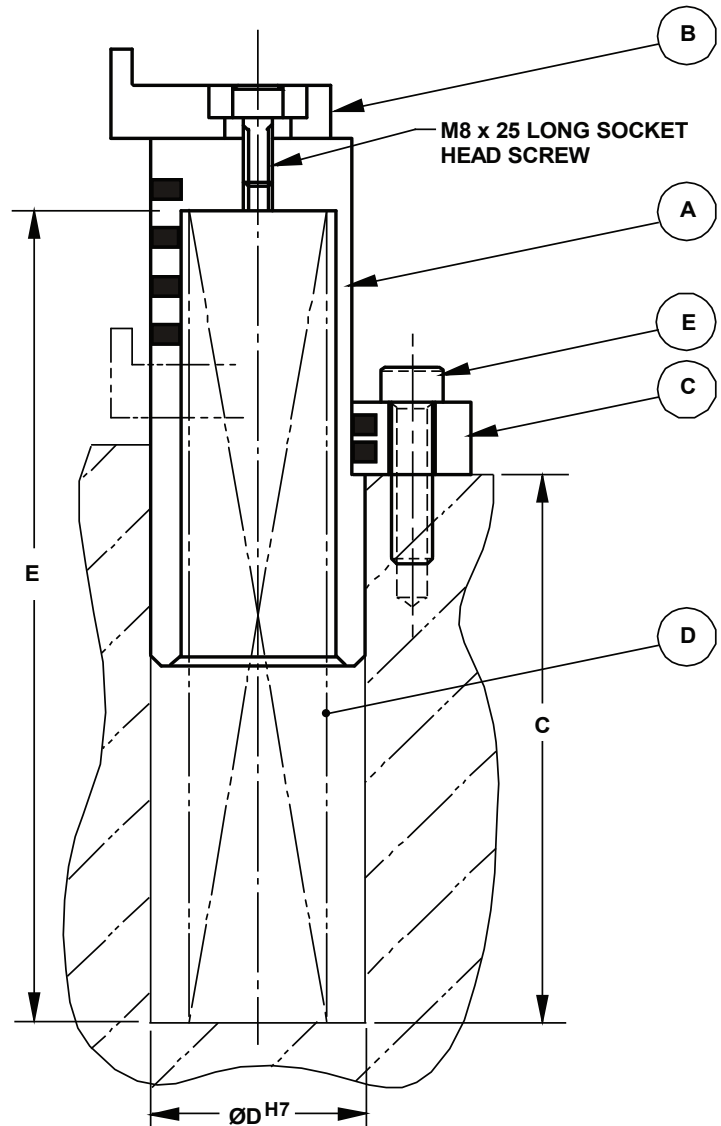
GLOBAL STANDARD COMPONENTS



Stamping

07/28/14

- Break all edges.
- Mark with NAAMS code and manufacturer's logo.
- Detail E required length 50 for safe compression of spring during assembly.



DETAIL	DESCRIPTION
A	STRIPPER BODY
B	STRIPPER PLATE
C	RETAINER BLOCK
D	SPRING LIGHT DUTY
E	(2) M12 X 50 LONG SOCKET HEAD CAP SCREWS

NAAMS CODE	TRAVEL (MAX)	C	ØD
G285050	50	108	50
G286080	80	159	60
G287510	100	200	75

# CAST - IN FLANGE STRIPPER ASSEMBLY STRIPPER BODY

(M28 SERIES)

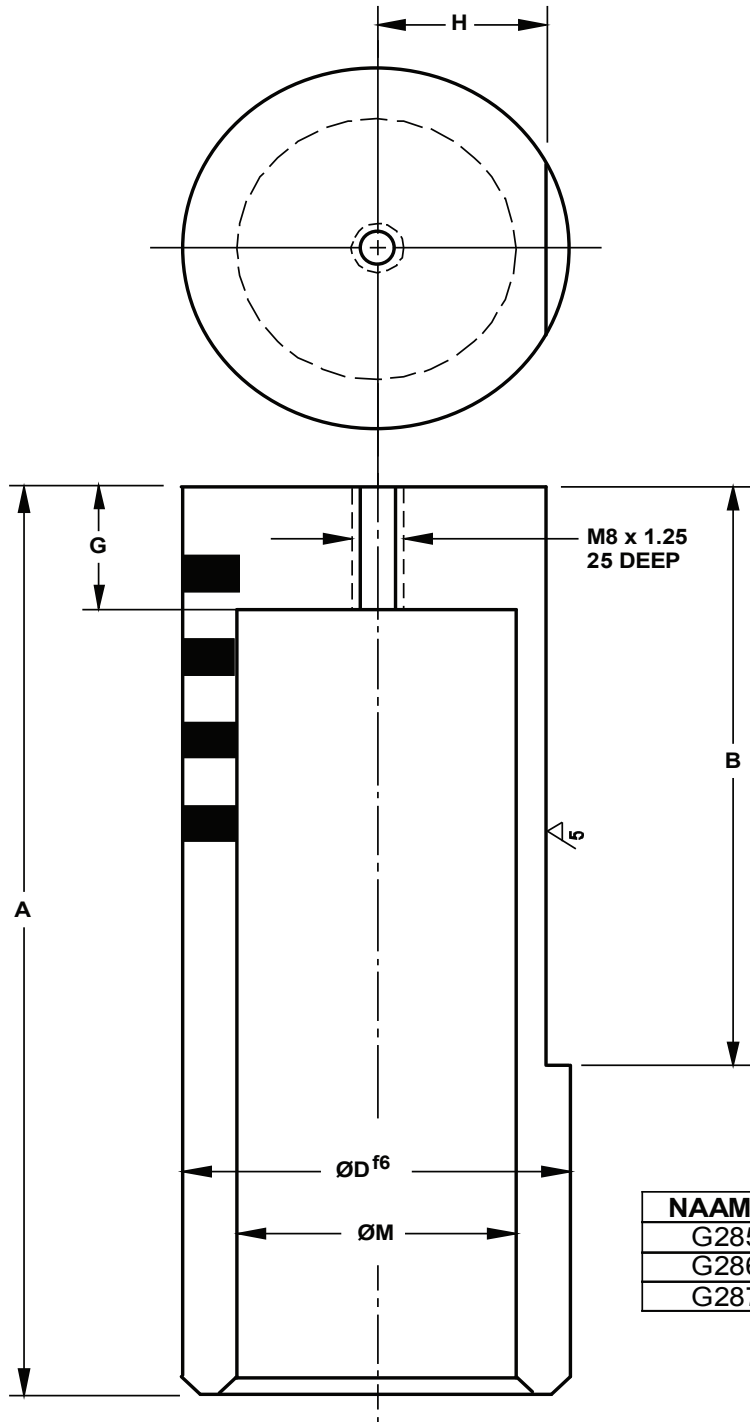
GLOBAL STANDARD COMPONENTS



Stamping

07/28/14

- Break all edges.
- Mark with NAAMS code and manufacturer's logo



NAAMS CODE	A	B	D	G	H	M
G285050-A	110	75	50	25	19	35
G286080-A	160	105	60	30	25	43
G287510-A	200	125	75	40	30	53

**A** STRIPPER BODY  
MATERIAL: ISO 683/18 - C20 (WITH GRAPHITE PLUGS)

# CAST - IN FLANGE STRIPPER ASSEMBLY STRIPPER PLATE

(M28 SERIES)

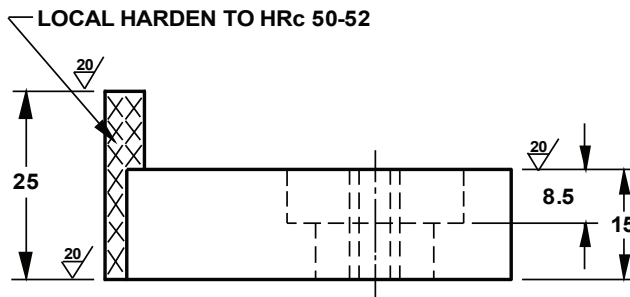
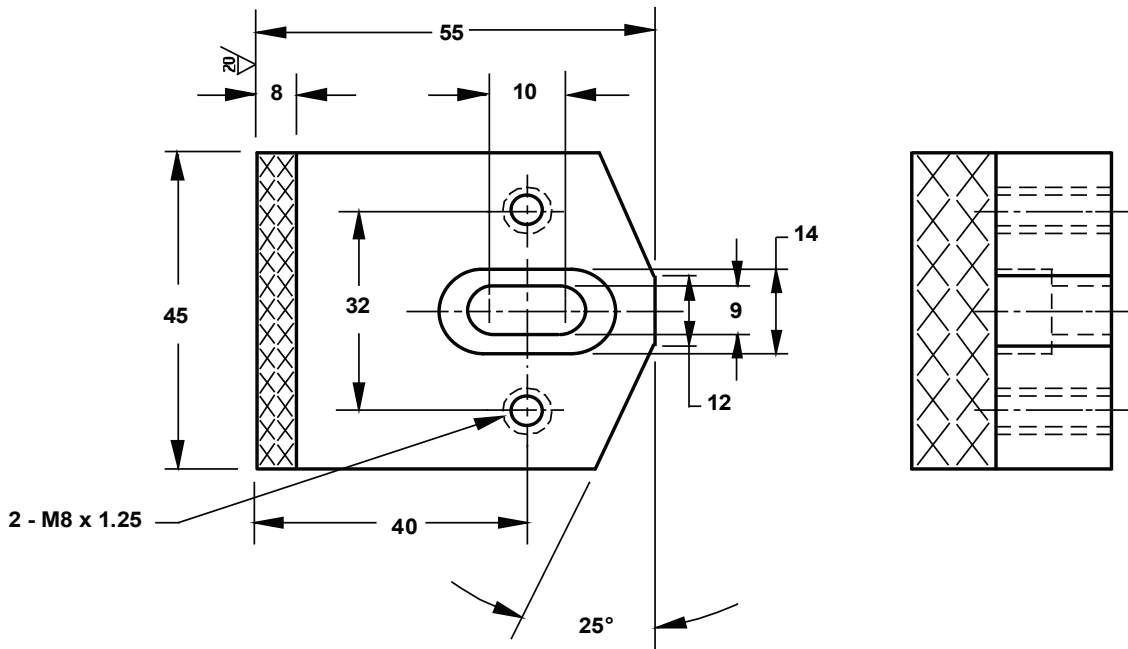
GLOBAL STANDARD COMPONENTS



Stamping

07/28/14

- Break all edges.
- Mark with NAAMS code and manufacturer's logo



**B** STRIPPER PLATE  
MATERIAL: ISO TC105

# CAST - IN FLANGE STRIPPER ASSEMBLY RETAINER BLOCK

(M28 SERIES)

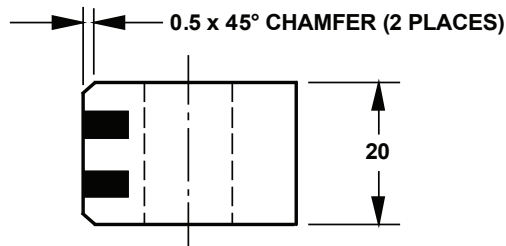
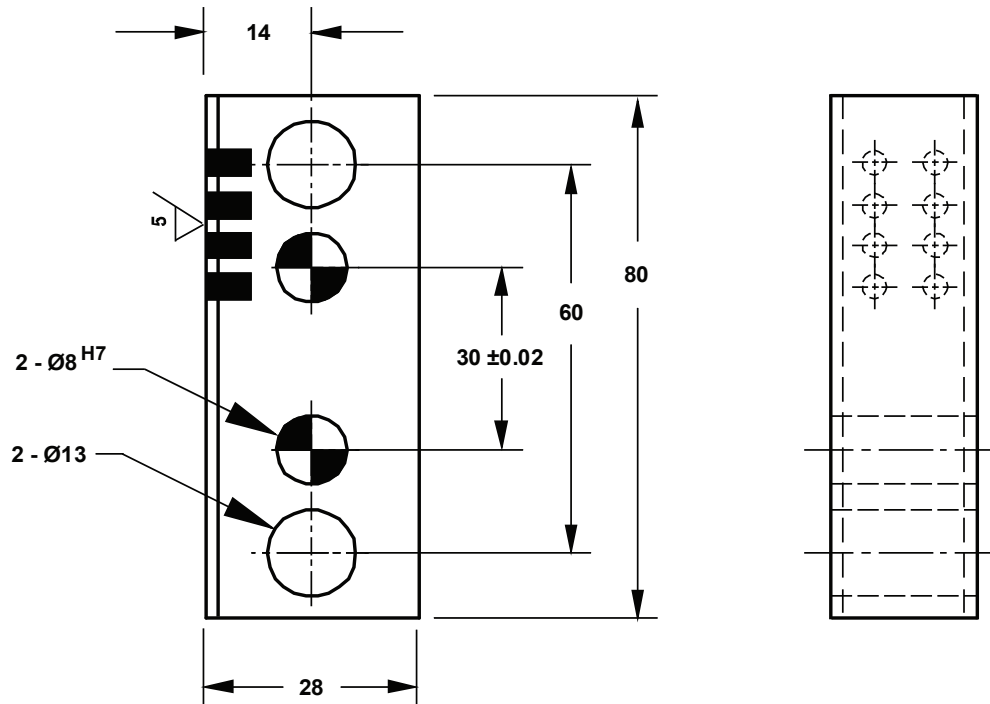
GLOBAL STANDARD COMPONENTS



Stamping

07/28/14

- Break all edges.
- Mark with NAAMS code and manufacturer's logo



RETAINER BLOCK  
MATERIAL: ISO 683/1 - C45  
(WITH GRAPHITE PLUGS)

HARDNESS: HRC 18-22



# CAST - IN FLANGE STRIPPER ASSEMBLY SPRING - LIGHT DUTY

(M28 SERIES)

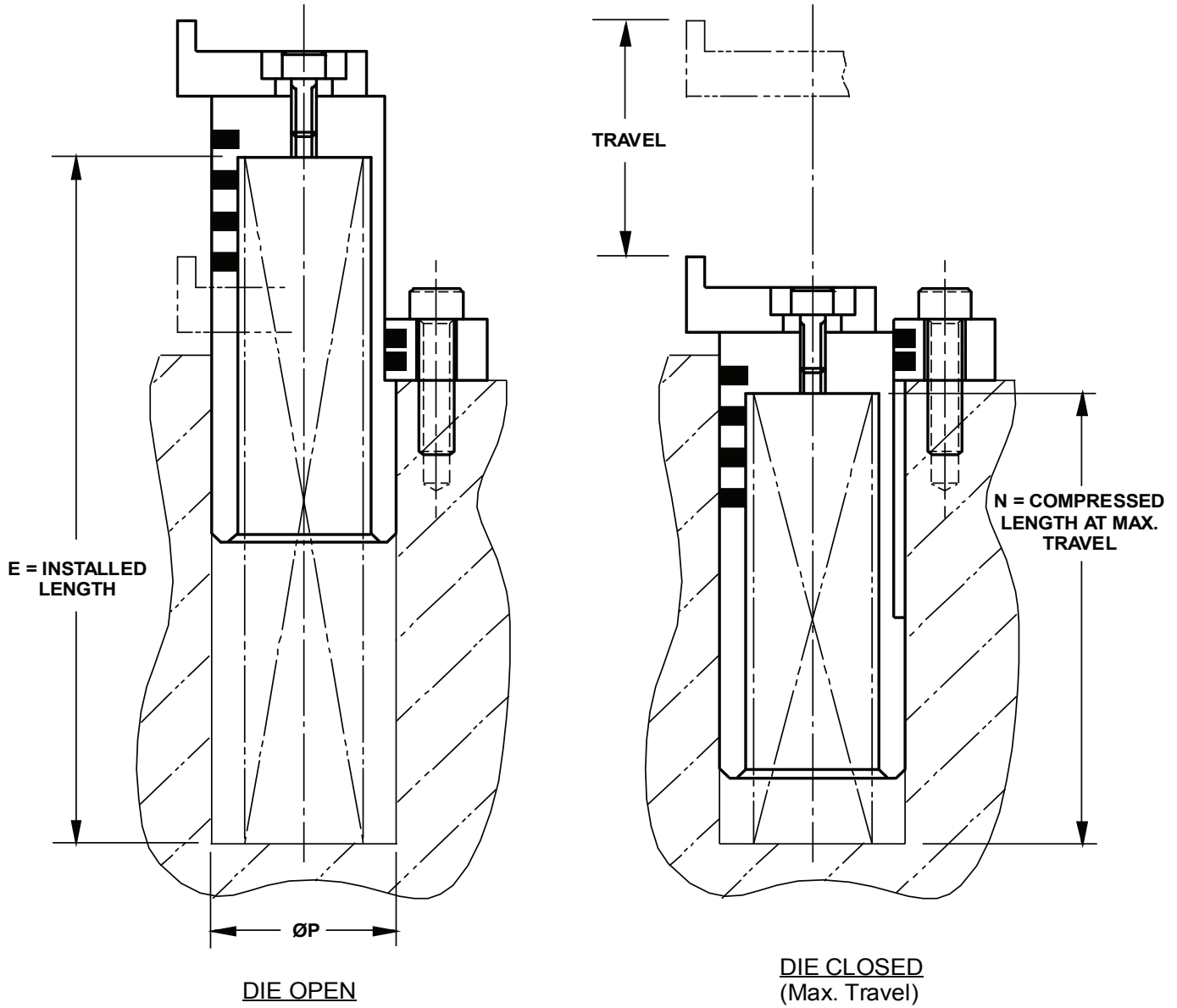
GLOBAL STANDARD COMPONENTS



Stamping

07/28/14

- Spring included with flange stripper assembly - do not order separately.



**D** SPRING - LIGHT DUTY

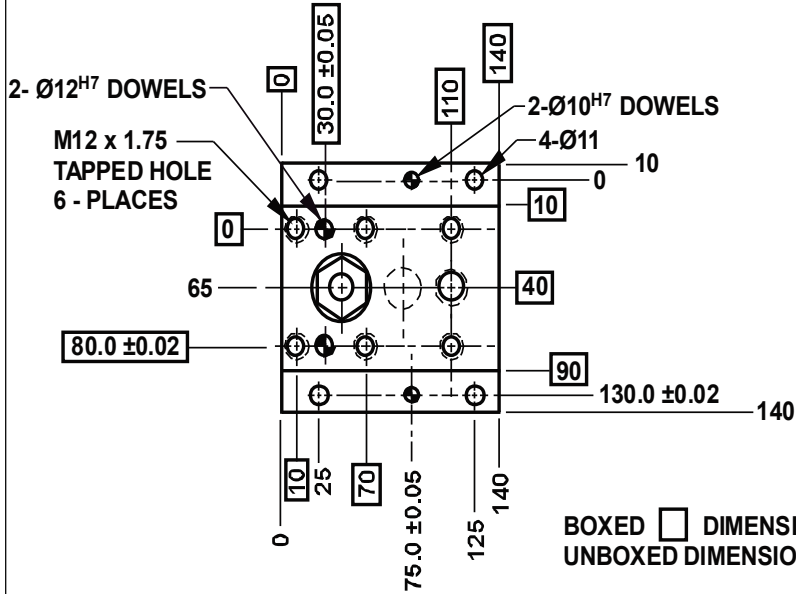
SPRING DIA. ØP	NAAMS CODE	TRAVEL (MAX.)	SPRING	FREE LENGTH	NEWTONS REQUIRED TO DEFLECT 1mm	E	NEWTONS AT DIE OPEN	N	NEWTONS AT MAX. TRAVEL (DIE CLOSED)
32	G285050	50	ISO LIGHT DUTY Ø32x178 F.L.	178	18.2	155	419	105	1329
40	G286080	80	ISO LIGHT DUTY Ø40x254 F.L.	254	18.0	230	432	150	1872
50	G287510	100	ISO LIGHT DUTY Ø50x305 F.L.	305	27.1	280	678	180	3388

# FLANGE STRIPPER AIR ACTIVATED

(M29 SERIES)

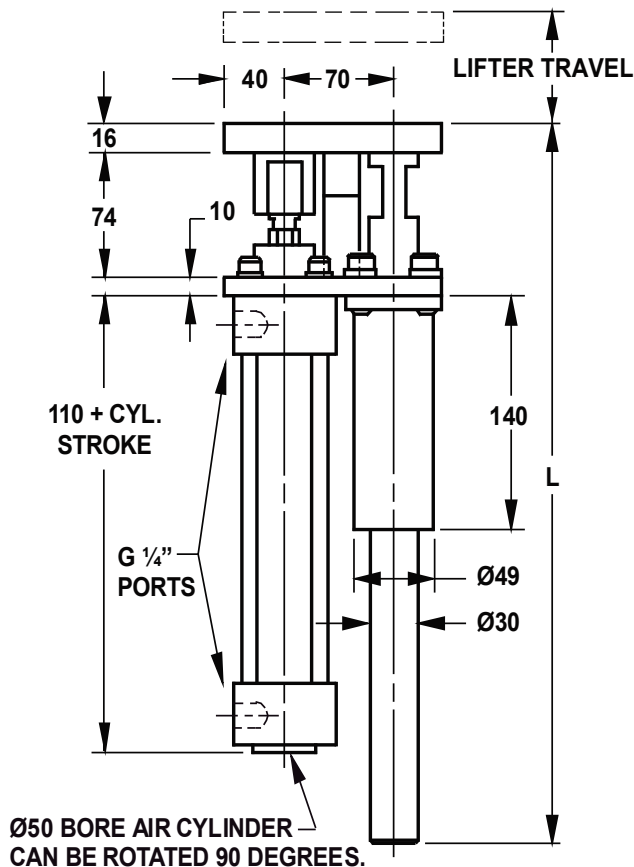
Stamping

10/22/15



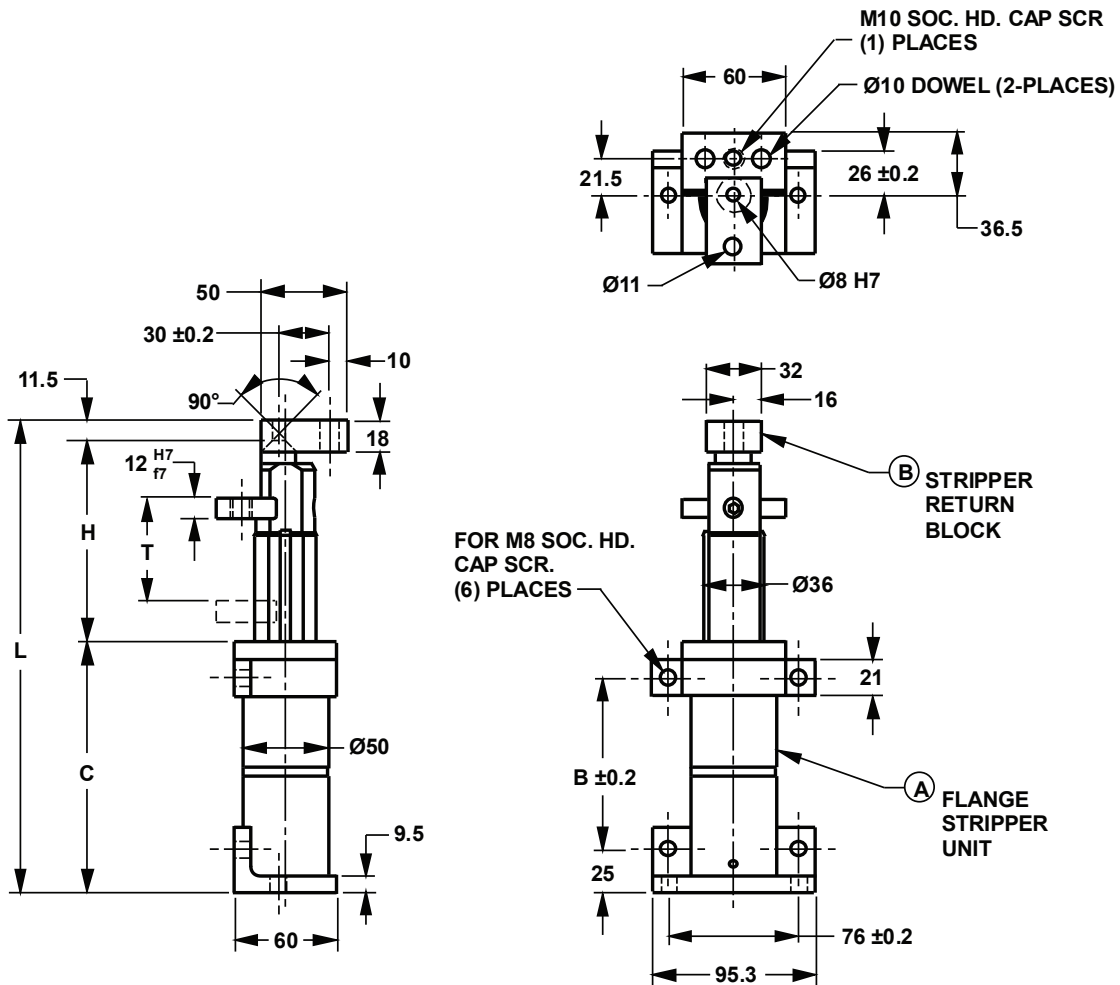
NAAMS CODE	CYLINDER STROKE	LIFTER TRAVEL	L
M290807	80	70	344
M291009	100	90	364
M291615	160	150	424
M292019	200	190	464

↓ FORCE/LOAD (40 kg Max. - No protrusion)



# FLANGE STRIPPER WITH GAS SPRING - SOLID BLOCK RETURN

(M30 SERIES)



NAAMS CODE	T	C	H	L	B
M300060	60	146.0	117.5	275	100.0
M300072	72	162.5	134.0	308	116.5
M300090	90	182.5	154.0	348	136.5
M300112	112	207.5	179.0	398	161.5
M300135	135	240.5	204.0	456	194.5
M300157	157	265.5	229.0	506	219.5
M300180	180	290.5	254.0	556	244.5

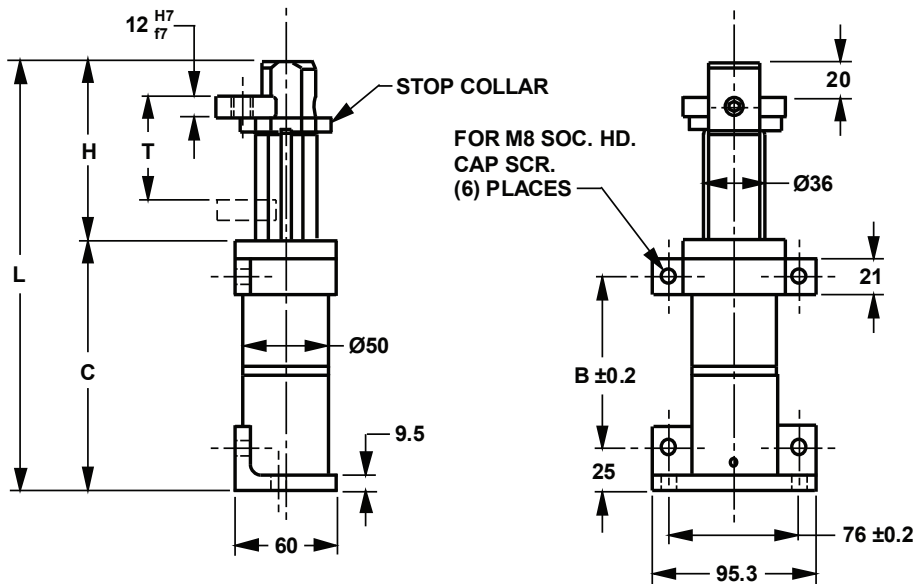
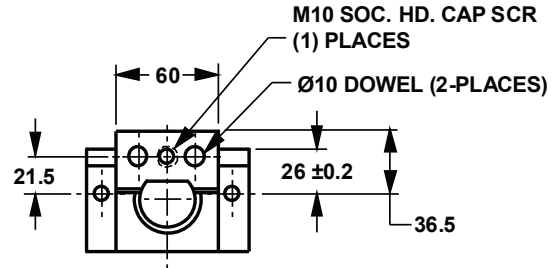
NOTE THIS FLG. STRIPPER UNIT  
IS INTERCHANGEABLE WITH  
M120000 - ONLY

## NOTES AND SPECIFICATIONS:

### MATERIAL: STEEL-MANUFACTURER'S CHOICE

- Break all edges.
- Mark with NAAMS code and manufacturer's logo.
- Initial Force - 230 N.
- To be driven down with included return block (Detail B).

**FLANGE STRIPPER WITH  
GAS SPRING - GAS  
SPRING RETURN**  
(M31 SERIES)



NAAMS CODE	T	C	H	L	B
M310060	60	146.0	104.0	250	100.0
M310072	72	162.5	120.5	283	116.5
M310090	90	182.5	140.5	323	136.5
M310112	112	207.5	165.5	373	161.5
M310135	135	240.5	190.5	431	194.5
M310157	157	265.5	215.5	481	219.5
M310180	180	290.5	240.5	531	244.5

**NOTES AND SPECIFICATIONS:**

**MATERIAL: STEEL-MANUFACTURER'S CHOICE**

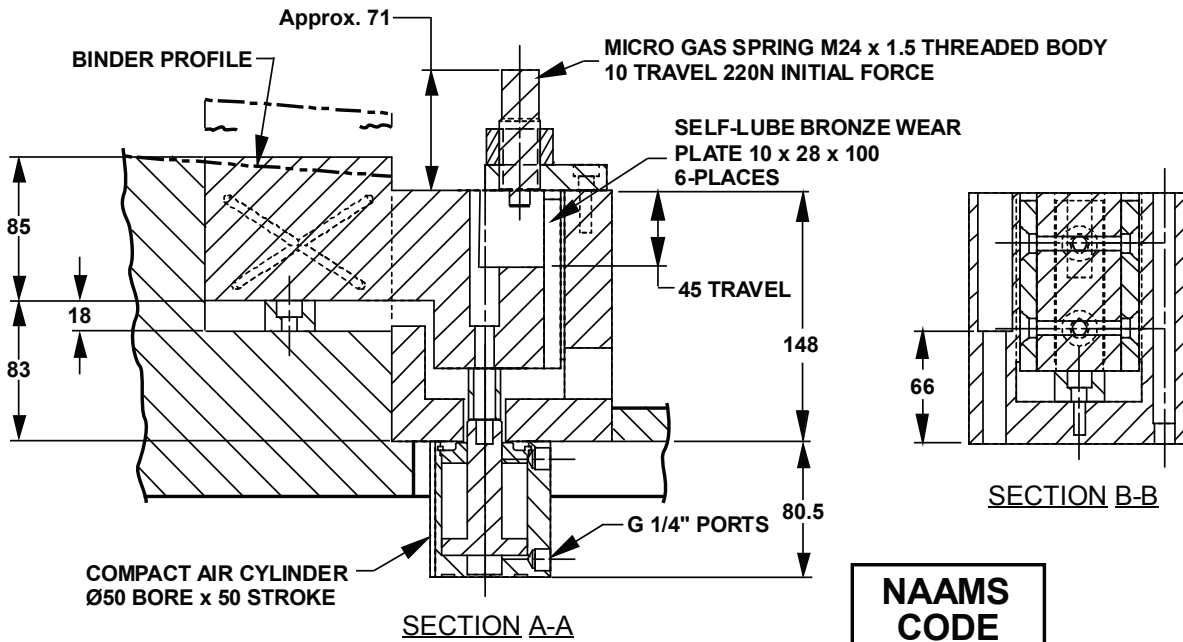
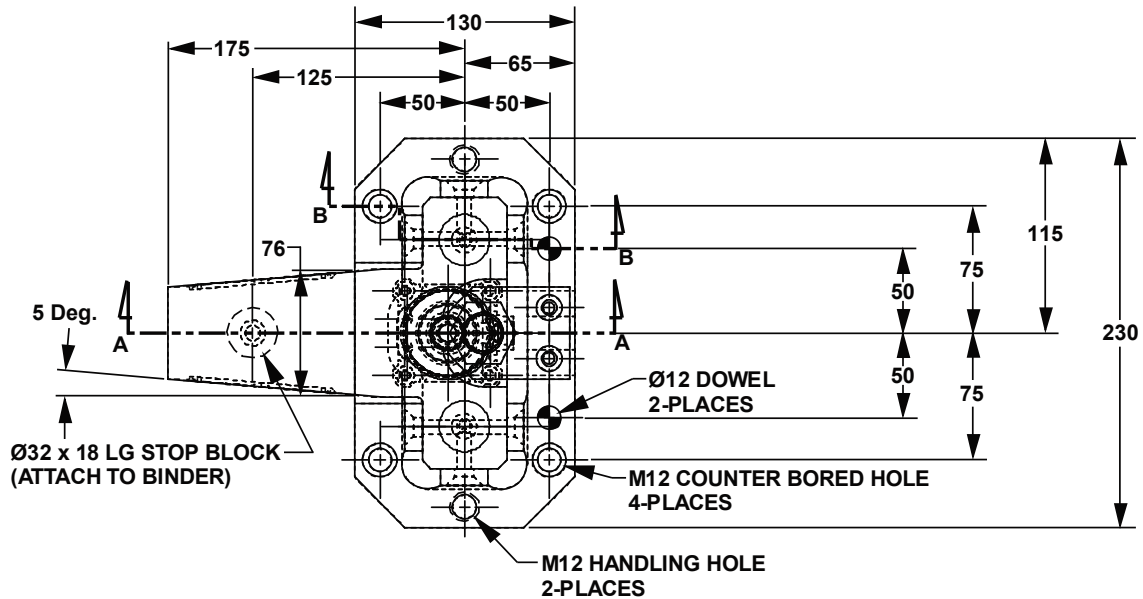
- Break all edges.
- Mark with NAAMS code and manufacturer's logo.
- Initial Force 230N.
- To be driven down with a gas spring

# DRAW DIE BINDER LIFTER

(M32 SERIES)

Stamping

06/30/17



<b>NAAMS CODE</b>
<b>M3223045</b>

## NOTES AND SPECIFICATIONS:

**MATERIAL: STEEL - VENDORS CHOICE**

- Break all edges.
- Mark with NAAMS code and manufacturer's logo.
- Attach with 4-M12 x 90 long screws, and 2 - Ø12 dowels.