

# MISCELLANEOUS INDEX

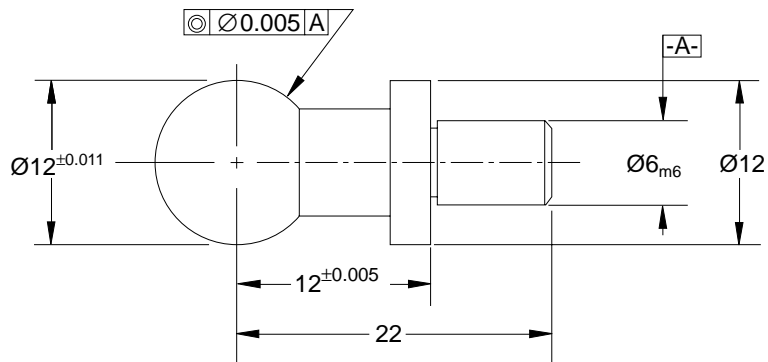
PAGE	DATE	SERIES	DESCRIPTION
<a href="#">M-1</a>	10/20/10		Miscellaneous Index
<a href="#">M-2</a>	04/16/96	M01	Tooling Ball
<a href="#">M-3</a>	04/16/96	M02	Scrap Chute Hook and Retainer Bracket
<a href="#">M-4</a>	01/03/95	M03	Scrap Chute Chain Hooks
<a href="#">M-5</a>	01/03/95	M04, M05 & M15	Scrap Chute Retainer Brackets
<a href="#">M-6</a>	01/03/95	M06 & M16	Scrap Chute Storage/Hinge Brackets
<a href="#">M-7</a>	01/03/95	M07	Scrap Chute Hinge & Pins
<a href="#">M-8</a>	12/15/00	M08 & M09	Rectangular Key
<a href="#">M-9</a>	12/15/00	M10	Stop Blocks
<a href="#">M-10</a>	08/23/06	Discontinued	Flange Stripper with Coil Spring
<a href="#">M-11</a>	12/15/00	M12	Flange Stripper with Gas Spring
<a href="#">M-12</a>	08/23/06	Discontinued	Flange Stripper Assembly
<a href="#">M-13</a>	12/15/00	M13	Flange Stripper Asm - Locating Cone Unit
<a href="#">M-14</a>	08/23/06	Discontinued	Flange Stripper Asm - Guide Shaft
<a href="#">M-15</a>	08/23/06	Discontinued	Flange Stripper Asm - Bushing Block
<a href="#">M-16</a>	08/23/06	Discontinued	Flange Stripper Asm - Retainer & Guide Block
<a href="#">M-17</a>	10/19/01	M17	Stock Crowder
<a href="#">M-18</a>	02/04/05	M18	Blank Support
<a href="#">M-19</a>	10/07/05	M190001	Scrap Flipper
<a href="#">M-20</a>	08/23/06	M200001	Scrap Chute Bracket
<a href="#">M-21</a>	06/07/07	M210075 - 210150	18 MM Blank Sensor (M21 Series)
<a href="#">M-22</a>	09/16/08	M22 SERIES	Flange Stripper Air Activated
<a href="#">M-23</a>	10/20/10	M23	Lift Rail Assembly
<a href="#">M-24</a>	10/20/10	M23	Lift Rail Cable Stud & Mounting Plate
<a href="#">M-25</a>	10/20/10	M23	Lift Rail Cable Stud Mounting Bracket & Bumper Plate
<a href="#">M-26</a>	10/20/10	M23	Lift Rail Shock Absorber
	07/27/10	N/A	Trim Tab Pilot Gage

# TOOLING BALL

(M01 SERIES)

Stamping

04/16/96



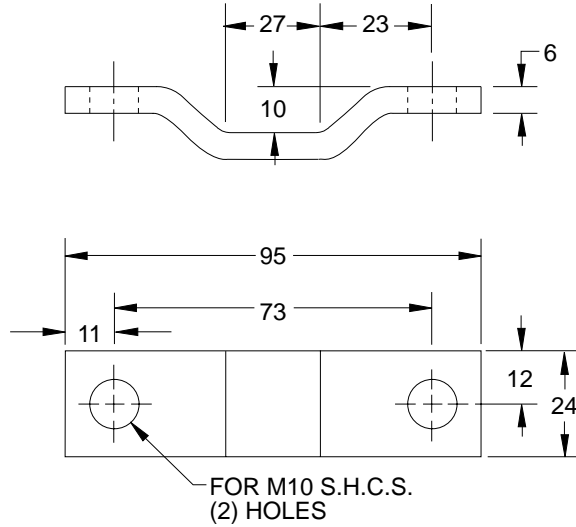
NAAMS CODE
M011222

## NOTES & SPECIFICATIONS:

Material, hardened steel

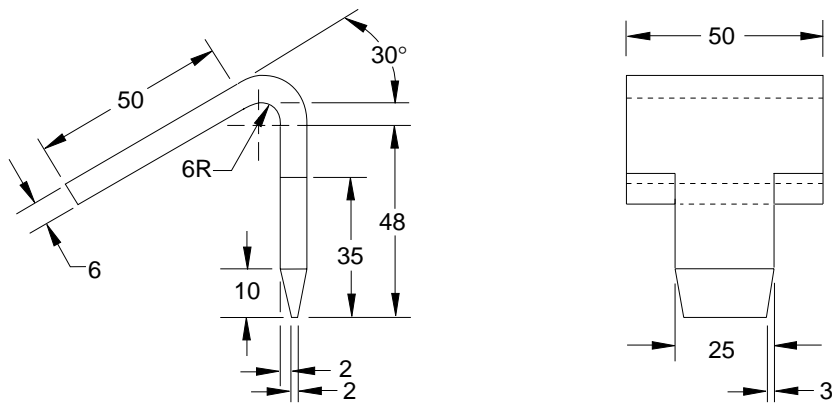
# SCRAP CHUTE HOOK AND RETAINER BRACKET

(M02 SERIES)



## SCRAP CHUTE RETAINER BRACKET

<b>NAAMS CODE</b>
M020001



## SCRAP CHUTE HOOK

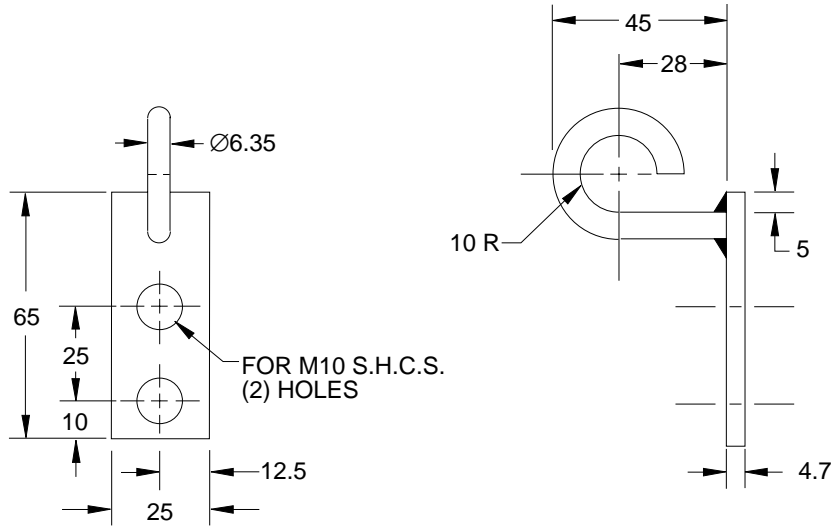
<b>NAAMS CODE</b>
M020002

# SCRAP CHUTE CHAIN HOOKS

(M03 SERIES)

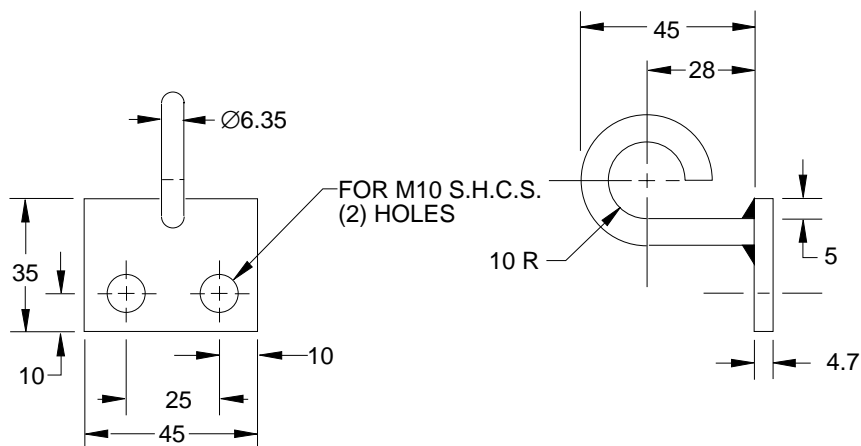
Stamping

01/03/95



**VERTICAL CHAIN HOOK**

<b>NAAMS CODE</b>
M030001



**HORIZONTAL CHAIN HOOK**

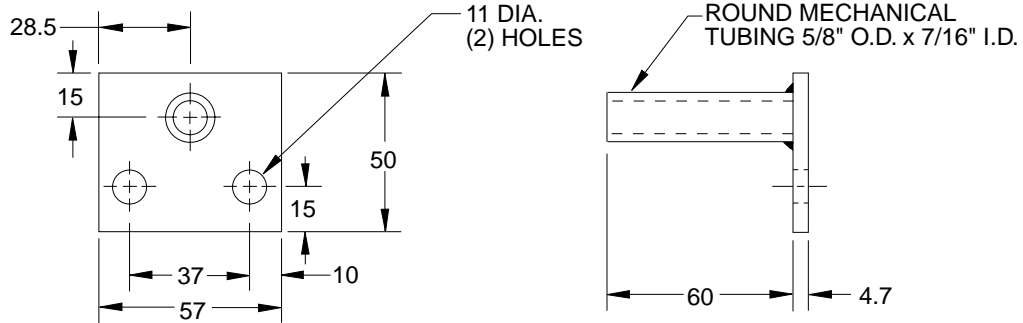
<b>NAAMS CODE</b>
M030002

# SCRAP CHUTE RETAINER BRACKETS

(M04, M05 & M15 SERIES)

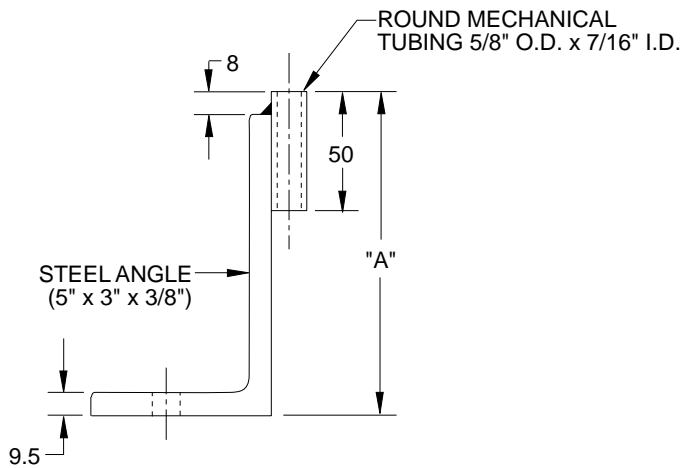
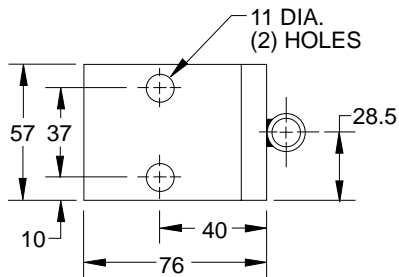
Stamping

01/03/95



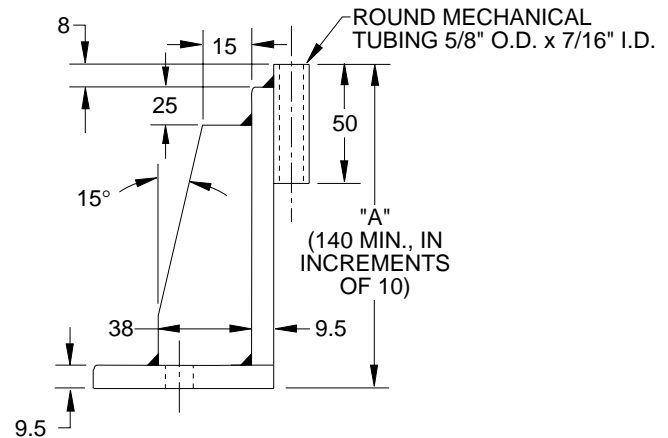
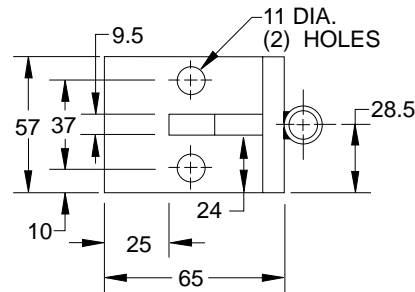
**STUB RETAINER BRACKET**

<b>NAAMS CODE</b>
M040001



**VERTICAL RETAINER BRACKET**

NAAMS CODE	"A"	NAAMS CODE	"A"
M050060	60	M050100	100
M050070	70	M050110	110
M050080	80	M050120	120
M050090	90	M050130	130



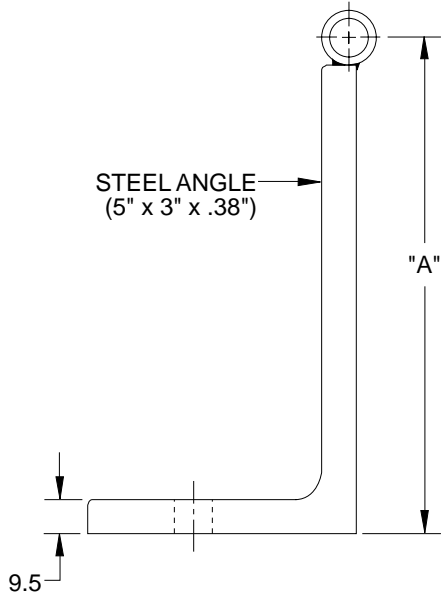
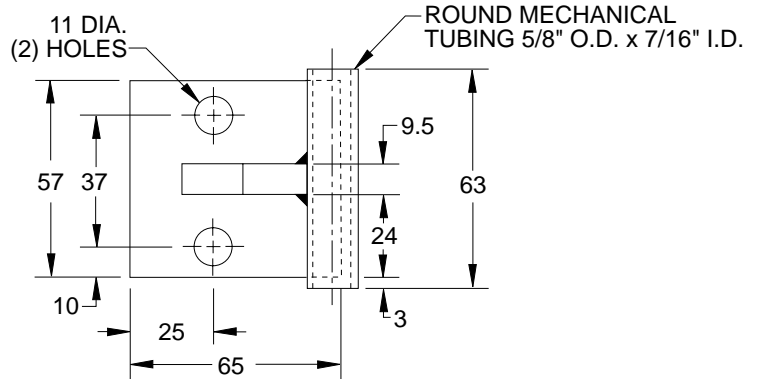
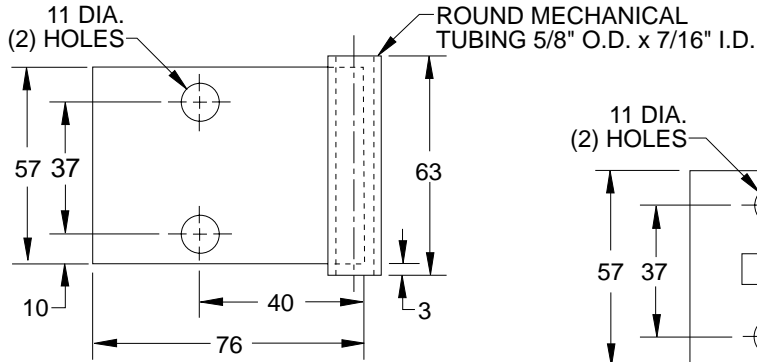
**VERTICAL EXT'D. RETAINER BRACKET**

<b>NAAMS CODE</b>
M150XXX

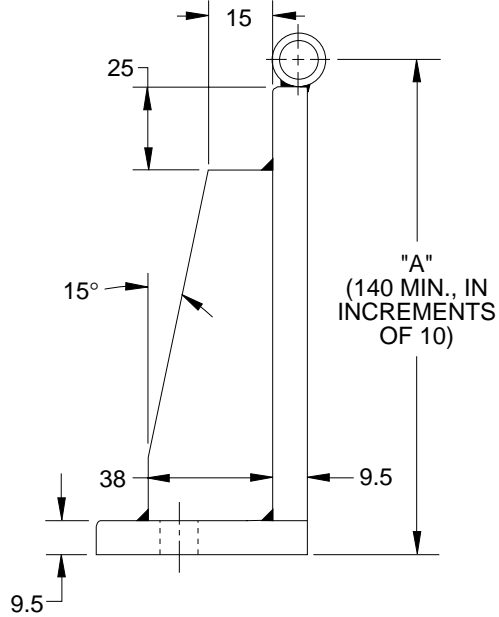
XXX = LENGTH  
EX: M150140 = 140 LENGTH

# SCRAP CHUTE STORAGE/ HINGE BRACKETS

(M06 & M16 SERIES)



**HORIZONTAL STORAGE OR  
HINGE BRACKET**



**HORIZONTAL EXTENDED STORAGE OR  
HINGE BRACKET**

NAAMS CODE	"A"
M060060	60
M060070	70
M060080	80
M060090	90
M060100	100
M060110	110
M060120	120
M060130	130

**NAAMS  
CODE**  
M160XXX

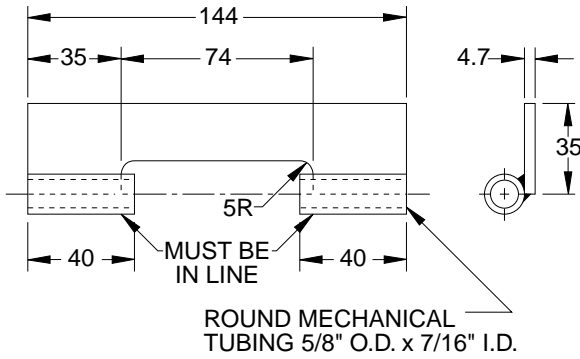
XXX = LENGTH  
EX: M160140 = 140 LENGTH

# SCRAP CHUTE HINGE & PINS

(M07 SERIES)

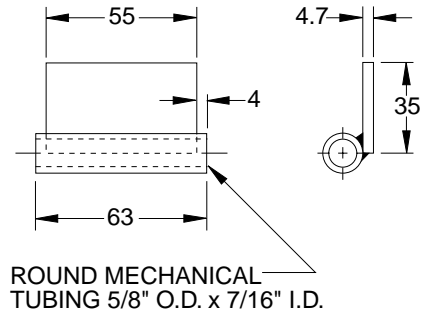
Stamping

01/03/95



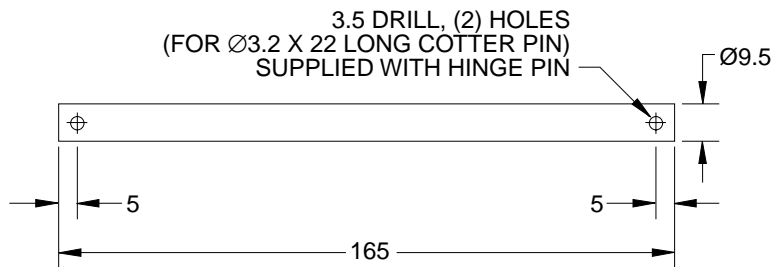
## DUAL HINGE

<b>NAAMS CODE</b>
M070001



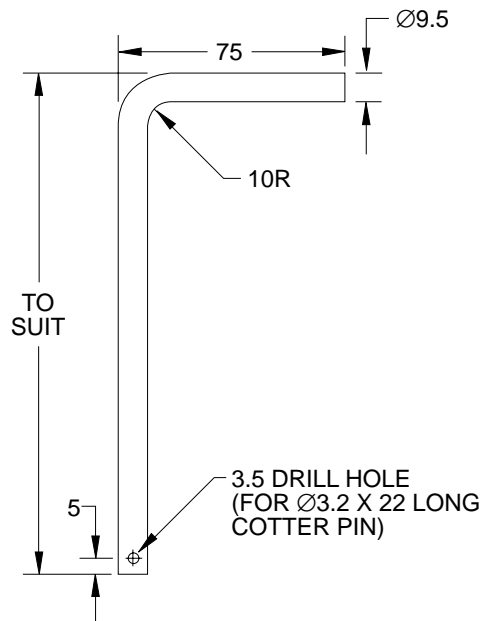
## HINGE OR PIN GUIDE

<b>NAAMS CODE</b>
M070002



## HINGE PIN

<b>NAAMS CODE</b>
M070003



## STORAGE PIN

<b>NAAMS CODE</b>
M070004

# KEY - RECTANGULAR

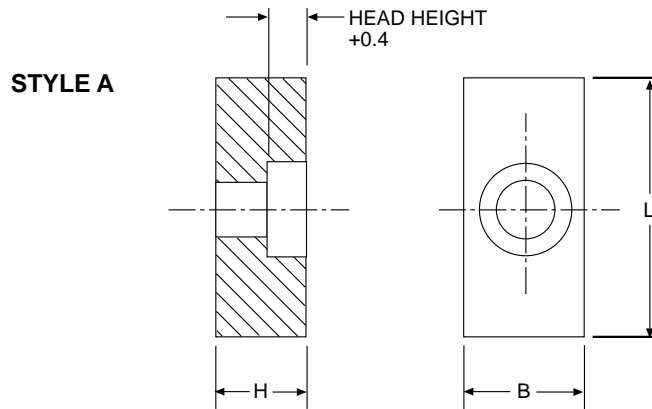
(M08 & M09 SERIES)

GLOBAL STANDARD COMPONENTS

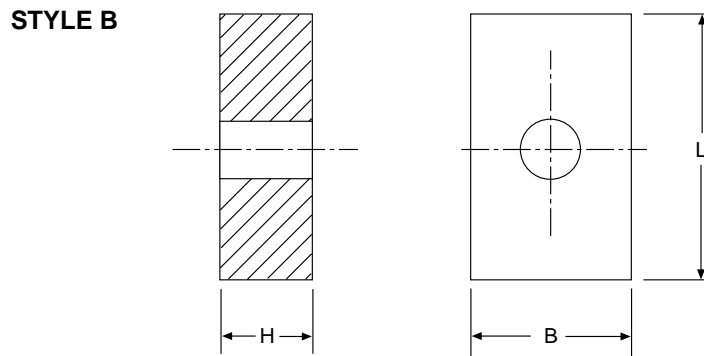


Stamping

12/15/00



NAAMS CODE	L ± 0.3	B (h9) X H	SOCKET HEAD CAP SCR. REQ'D
M082008	80	20 X 20	M8 X 25
M082205	50	22 X 14	M8 X 20
M082208	80		
M082210	100		
M082405	50	25 X 20	M10 X 25
M082408	80		
M082410	100		
M082505	50	25 X 25	M10 X 30
M082508	80		
M082510	100		
M083010	100	30 X 30	
M083210	100	32 X 25	



NAAMS CODE	L ± 0.3	B (h9) X H	SOCKET HEAD CAP SCR. REQ'D
M092008	80	20 X 12	M10 X 30
M092012	125		
M093205	50	32 X 18	
M093208	80		
M093210	100		

MATERIAL: STEEL MIN 340 MPa

BREAK ALL CORNERS

**A**



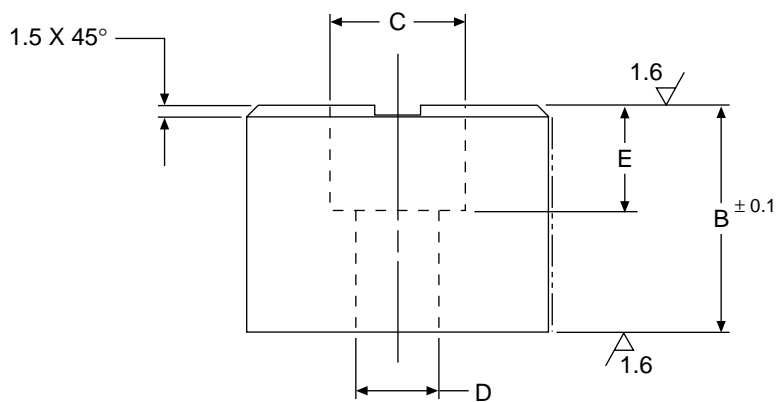
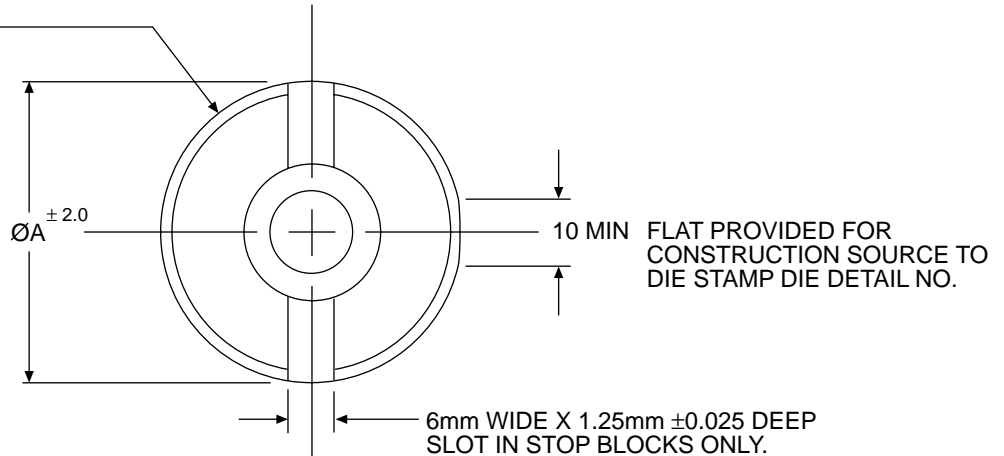
# STOP BLOCKS

(M10 SERIES)

Stamping

12/15/00

PERMANENTLY MARK NAAMS  
 PART NUMBER AND  
 MANUFACTURER'S BRAND  
 ON SIDE OF STOP BLOCK,  
NOT ON FLAT.



NAAMS CODE	ØA	B	ØC	ØD	ØE
M100403	40	30	18	11.0	20
M100605	60	50	20	13.5	20
M100610	60	100	20	13.5	24
M100805	80	50	20	13.5	20
M101005	100	50	20	13.5	20

MATERIAL: STEEL

# FLANGE STRIPPER WITH COIL SPRING

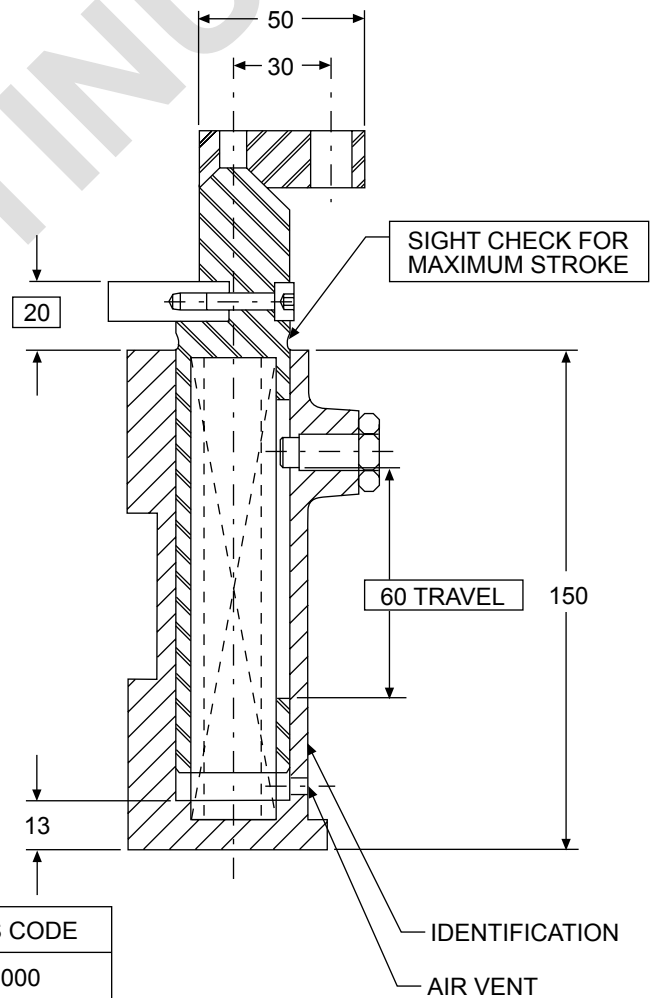
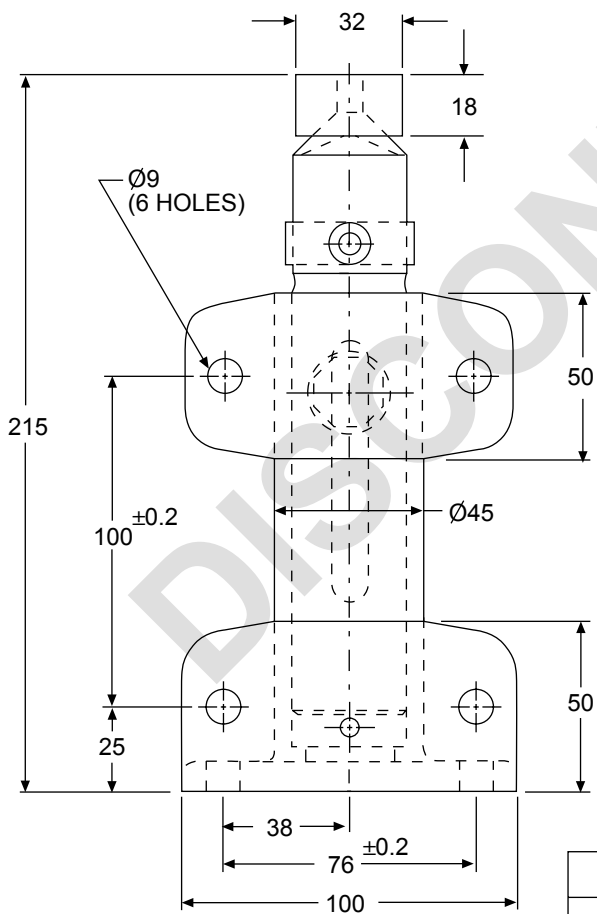
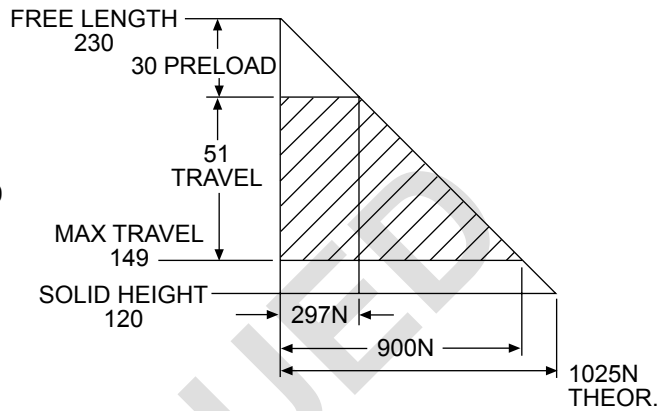
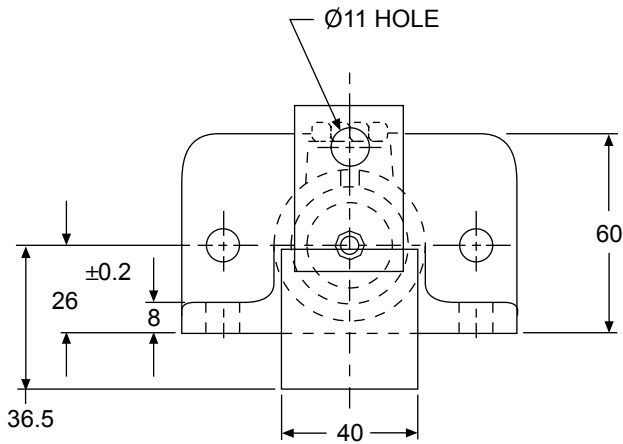
(M11 SERIES)

GLOBAL STANDARD COMPONENTS



Stamping

08/23/06



NAAMS CODE  
M110000

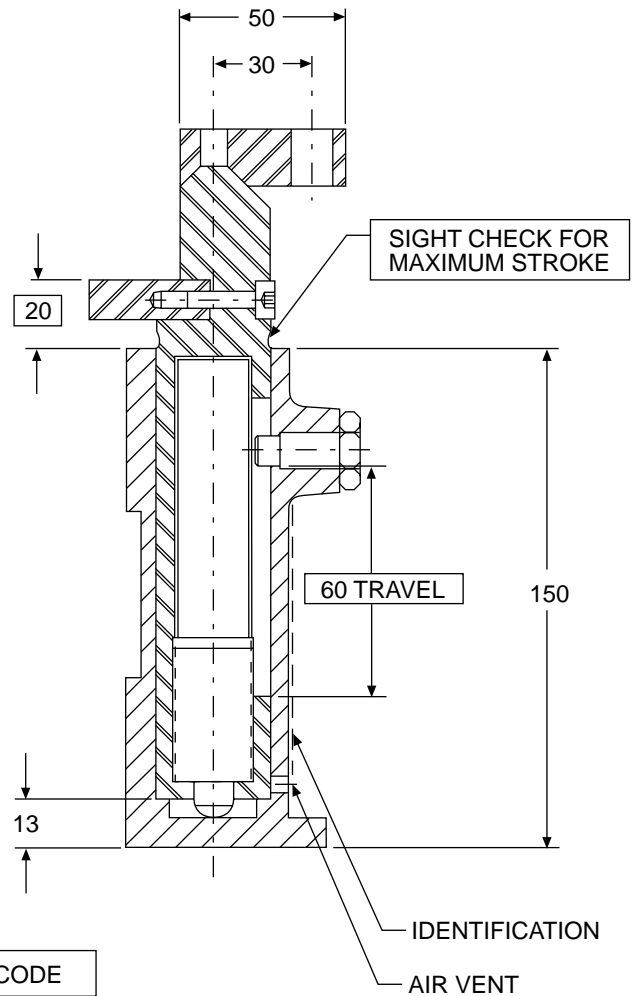
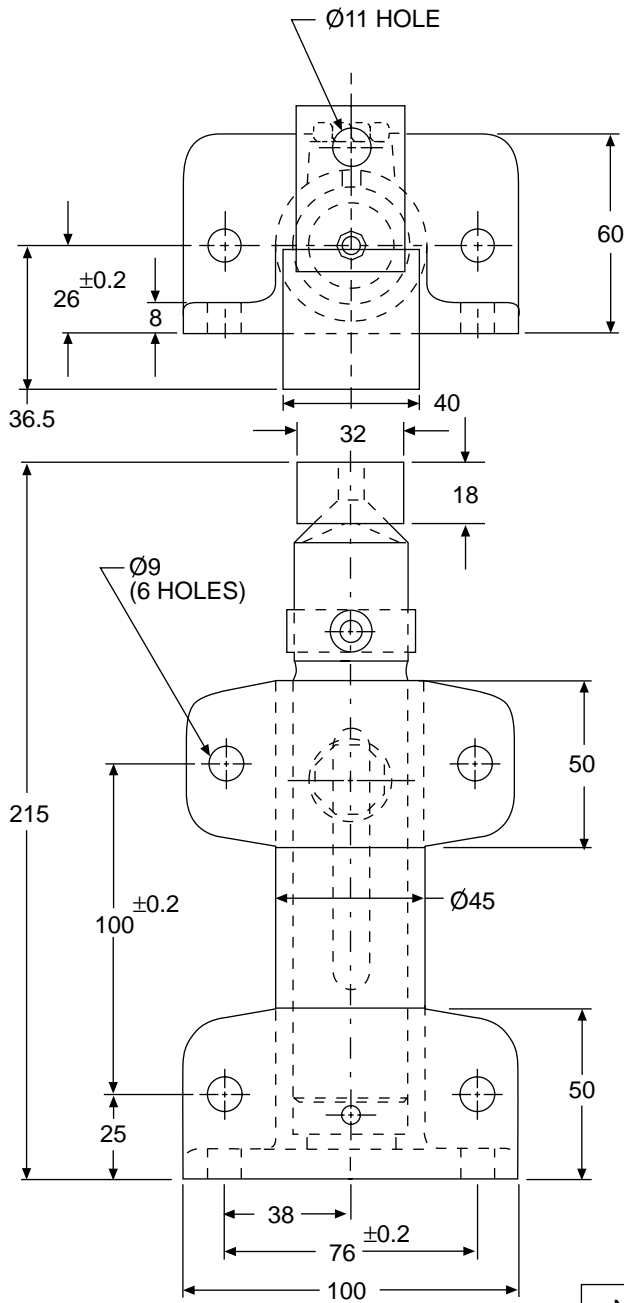
**IDENTIFICATION:**

EACH PART MUST BE PERMANENTLY MARKED WITH THE FULL ORDERING NUMBER AND MANUFACTURER'S BRAND.

A

# FLANGE STRIPPER WITH GAS SPRING

(M12 SERIES)



NAAMS CODE
MI20000

**CAUTION:**  
 USE SELF-CONTAINED NITROGEN SPRING  
 WITH MAX. 20 BAR FILLING PRESSURE

**IDENTIFICATION:**  
 EACH PART MUST BE PERMANENTLY MARKED WITH THE FULL ORDERING NUMBER  
 AND MANUFACTURER'S BRAND.

# FLANGE STRIPPER ASSEMBLY

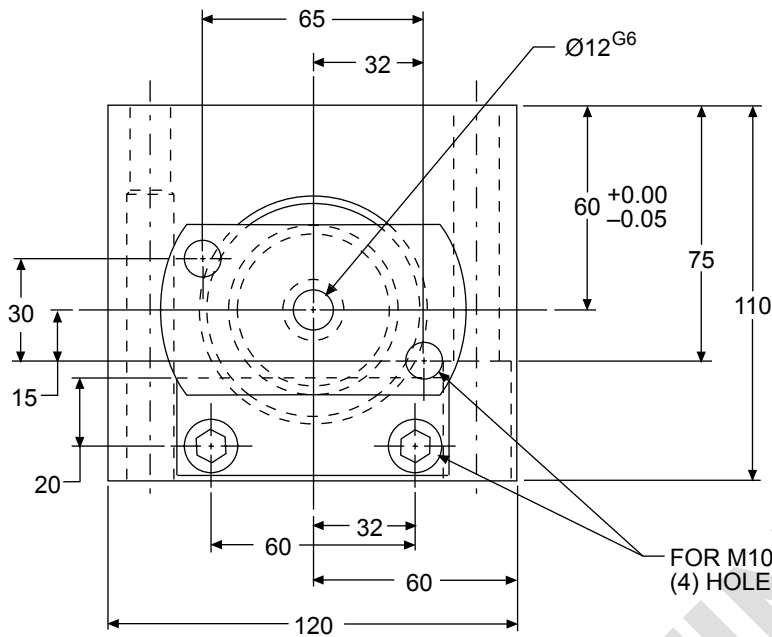
(M13 SERIES)

GLOBAL STANDARD COMPONENTS



Stamping

08/23/06



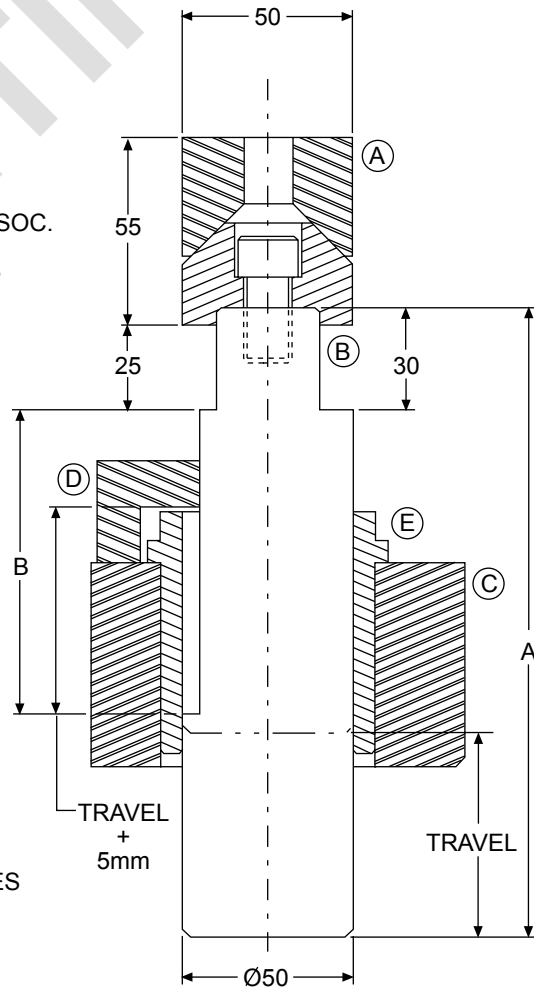
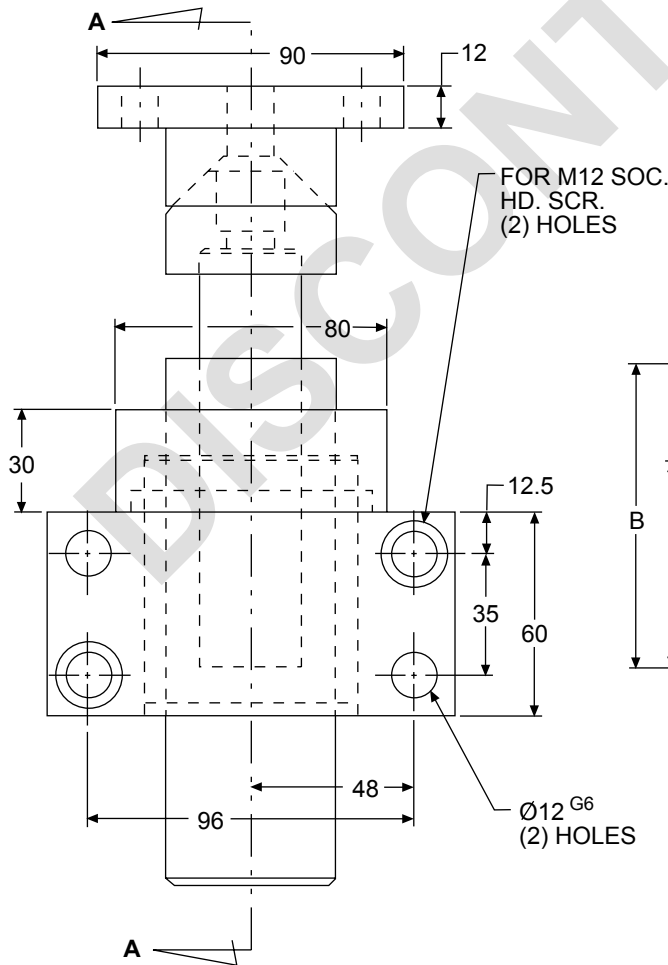
NAAMS CODE
MI30000

FLANGE STRIPPER ASSEMBLY  
CONSISTS OF:

- (A) LOCATING CONE UNIT M130010
- (B) GUIDE SHAFT M130020
- (C) BUSHING BLOCK M130030
- (D) RETAINER AND GUIDE BLOCK M130040
- (E) BUSHING G615071

• SEE FOLLOWING PAGES FOR DETAILS

FOR M10 SOC. HD. SCR.  
(4) HOLES



SECTION A-A

A

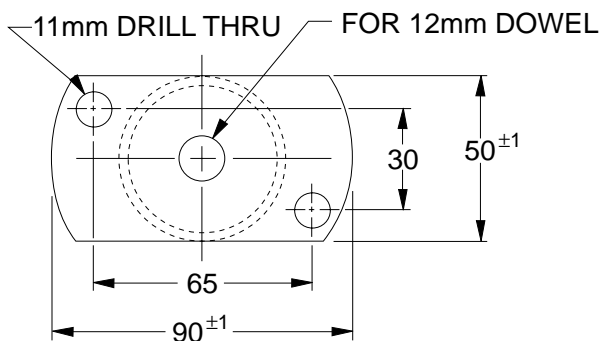
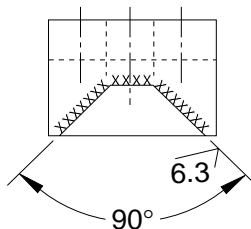
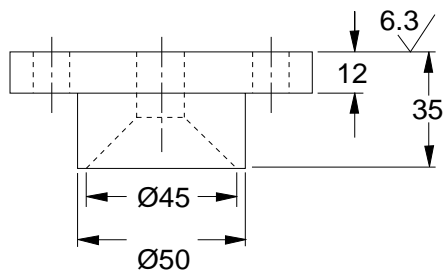
B

# FLANGE STRIPPER ASSEMBLY LOCATING CONE UNIT

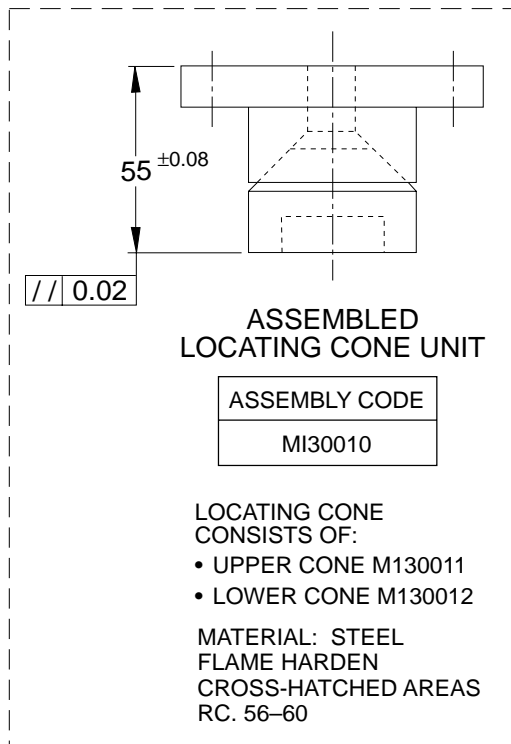
(M13 SERIES)

Stamping

12/15/00



NAAMS CODE
MI30011

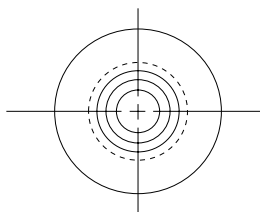
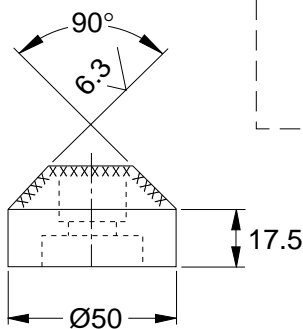
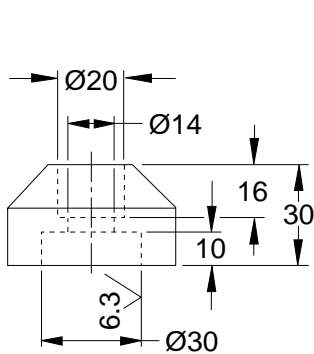


ASSEMBLY CODE
MI30010

LOCATING CONE  
CONSISTS OF:

- UPPER CONE M130011
- LOWER CONE M130012

MATERIAL: STEEL  
FLAME HARDEN  
CROSS-HATCHED AREAS  
RC. 56-60



NAAMS CODE
MI30012

# FLANGE STRIPPER ASSEMBLY GUIDE SHAFT

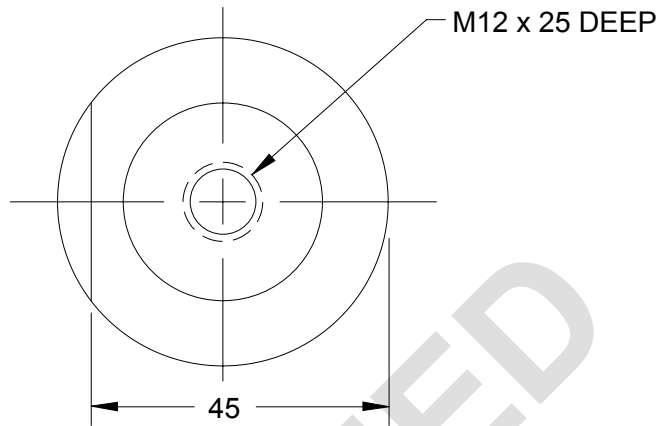
(M13 SERIES)

GLOBAL STANDARD COMPONENTS

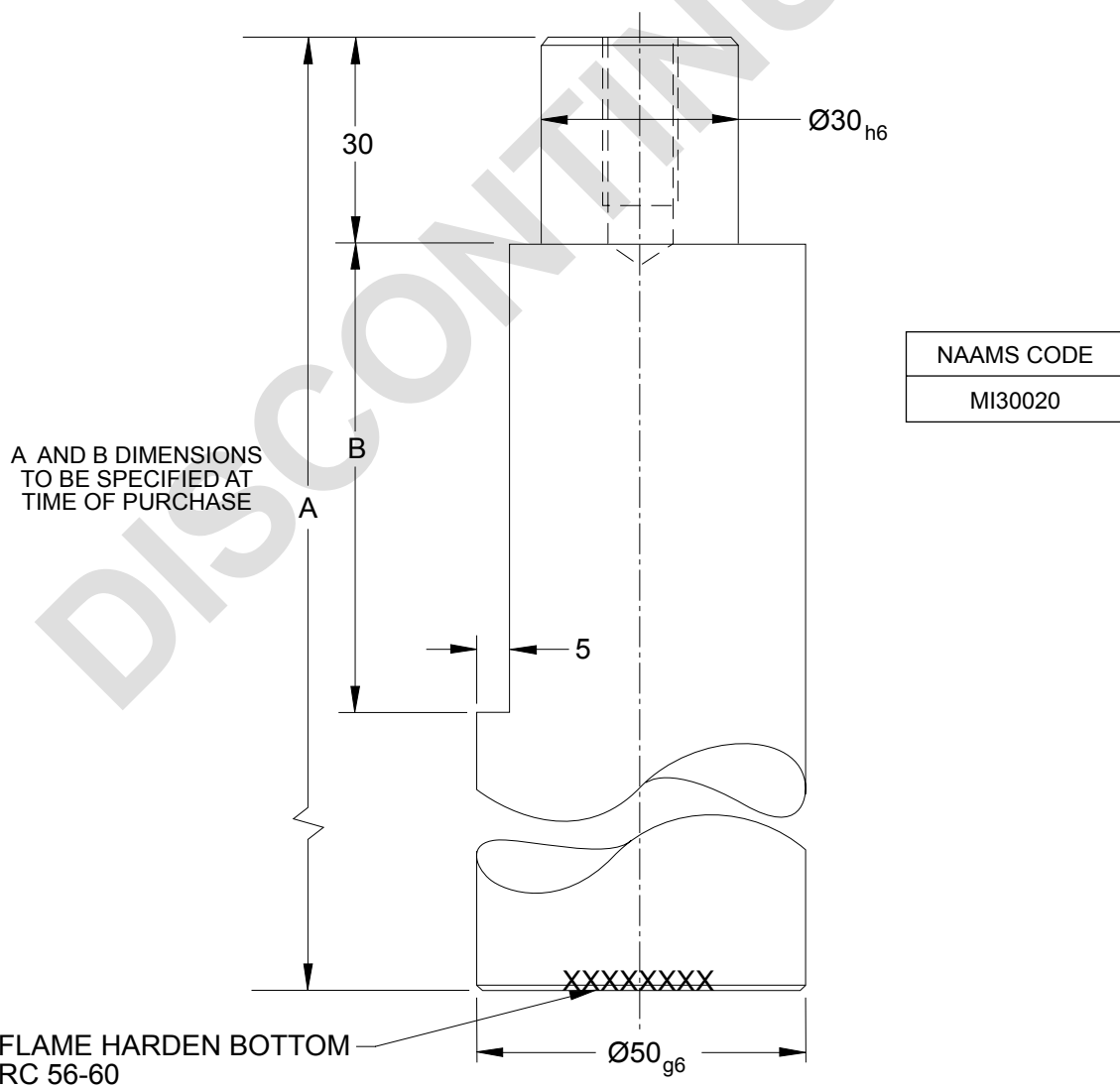


Stamping

08/23/06



MATERIAL: STEEL



A

# FLANGE STRIPPER ASSEMBLY BUSHING BLOCK

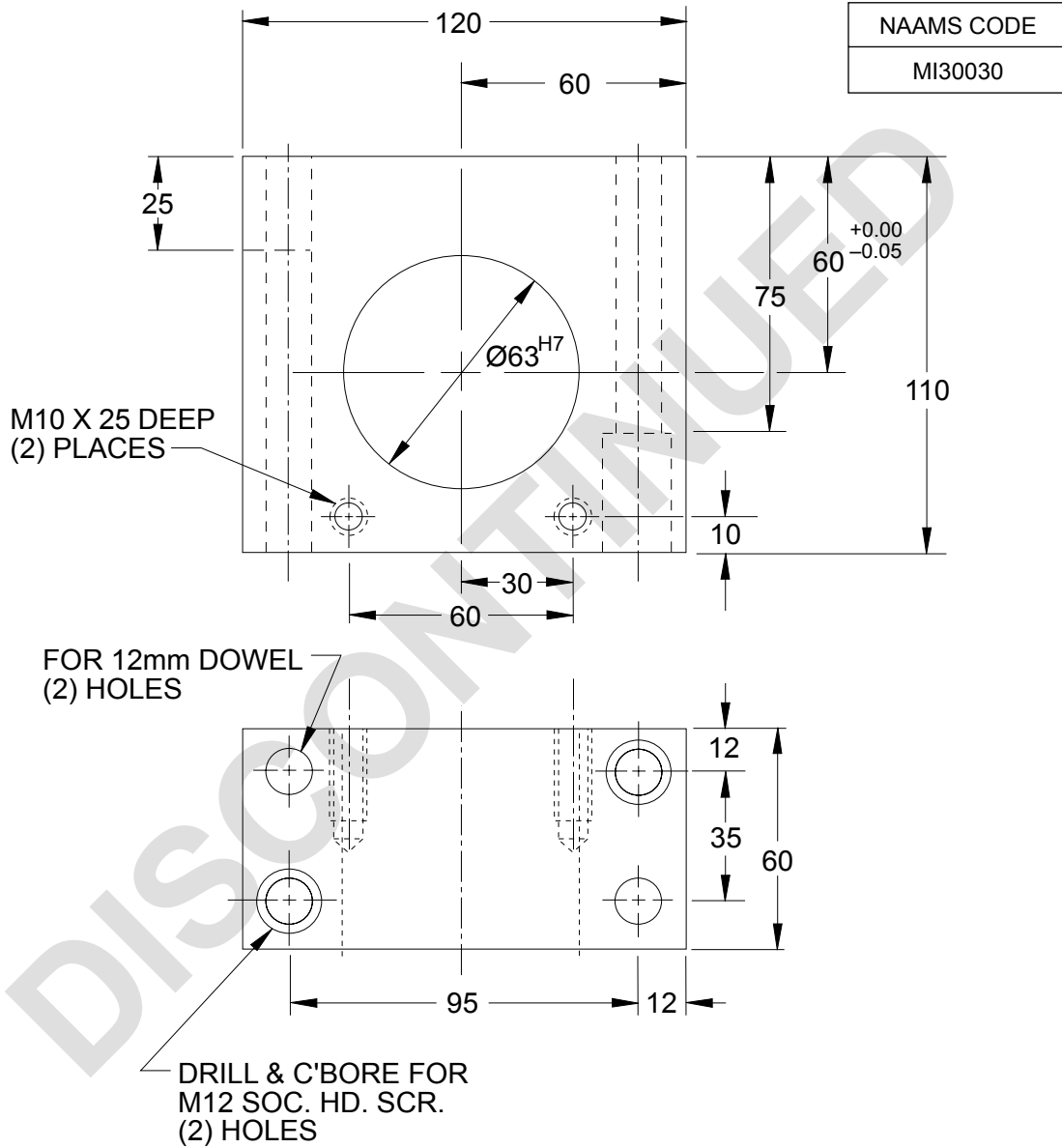
(M13 SERIES)

GLOBAL STANDARD COMPONENTS



Stamping

08/23/06



A

MATERIAL: STEEL

# FLANGE STRIPPER ASSEMBLY RETAINER AND GUIDE BLOCK

(M13 SERIES)

GLOBAL STANDARD COMPONENTS

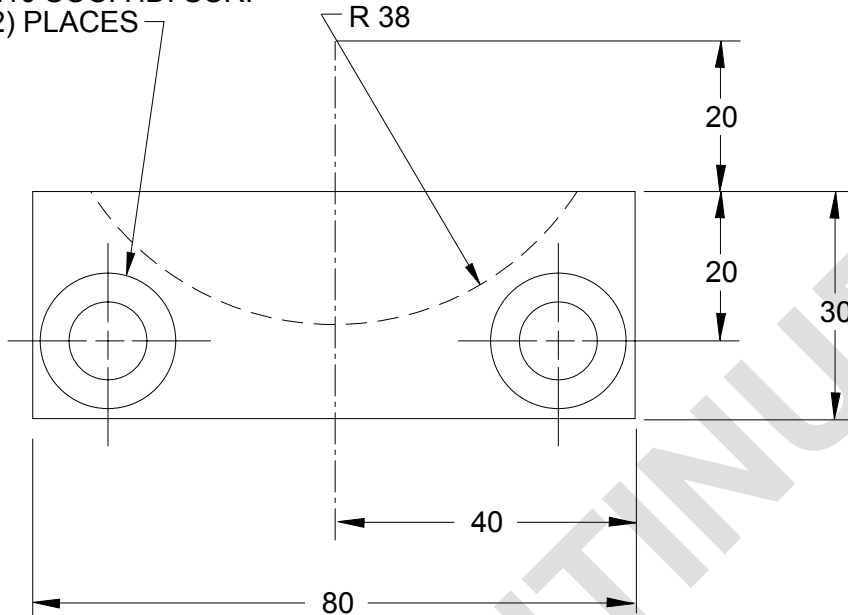
# NAAMS



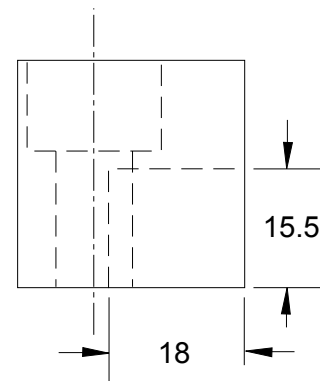
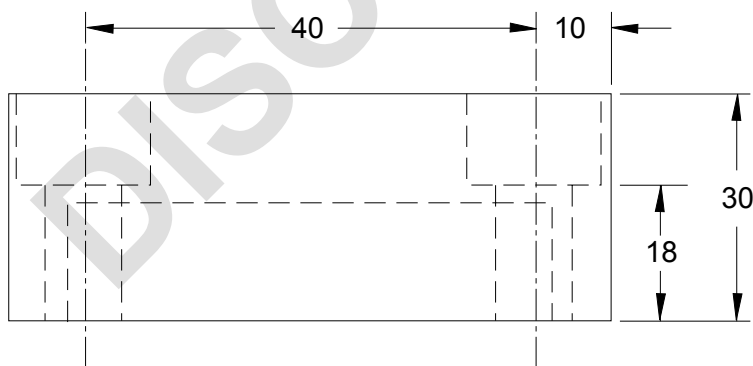
Stamping

08/23/06

DRILL AND C'BORE FOR  
M10 SOC. HD. SCR.  
(2) PLACES



NAAMS CODE
MI30040



RETAINER & GUIDE BLOCK  
MATERIAL: STEEL

A



# STOCK CROWDER

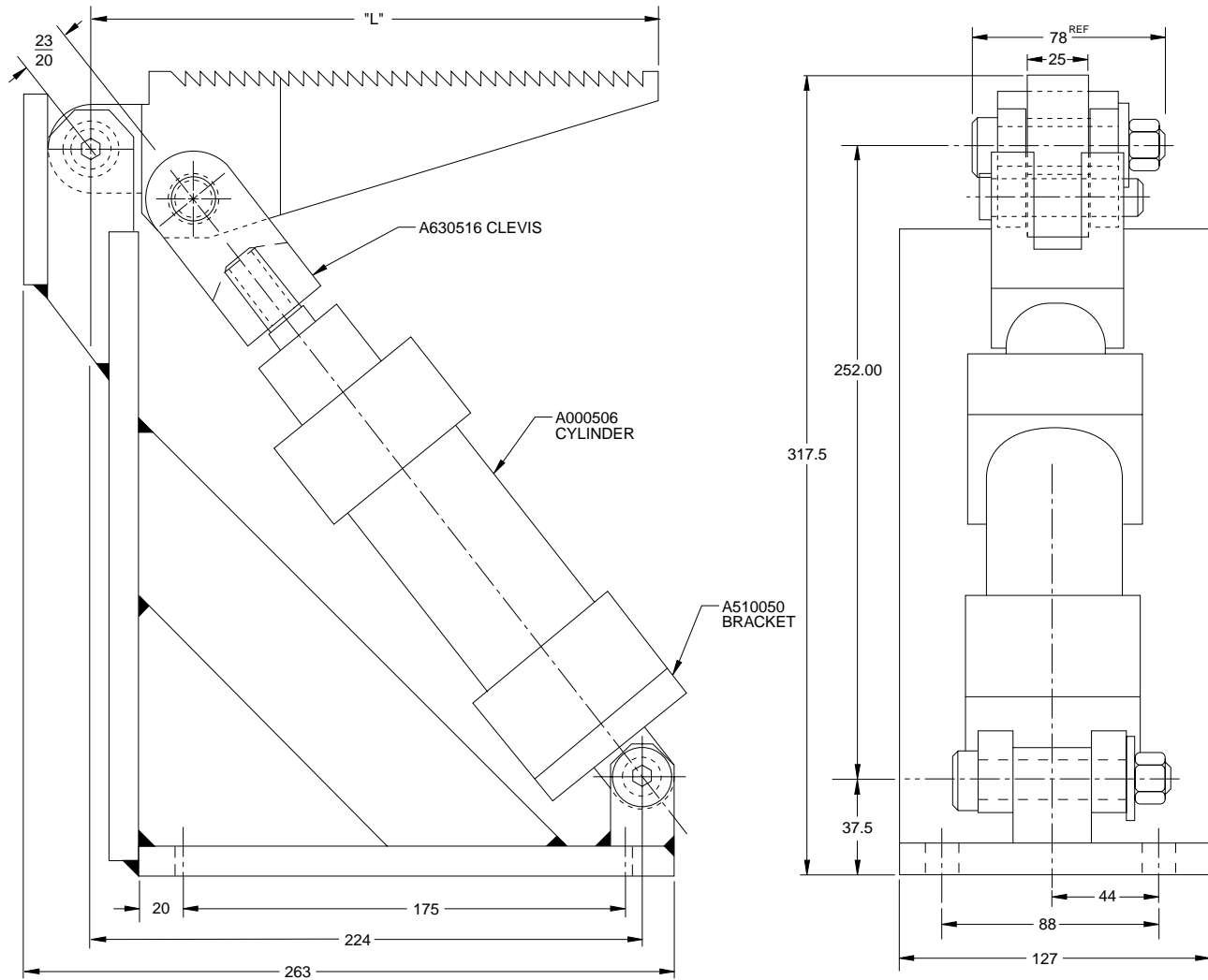
(M17 SERIES)

GLOBAL STANDARD COMPONENTS



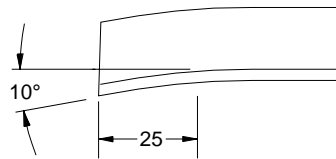
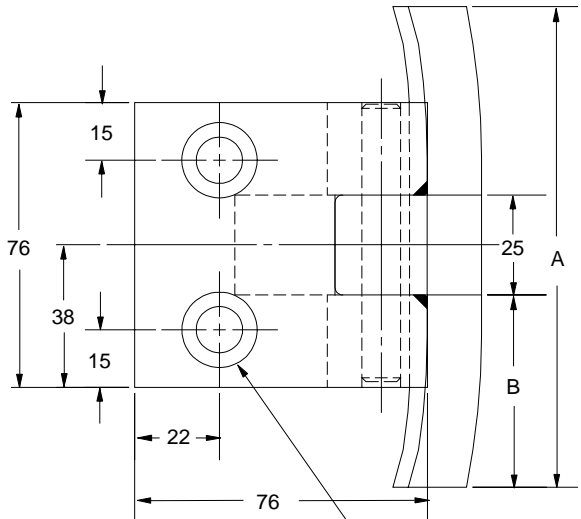
Stamping

10/19/01

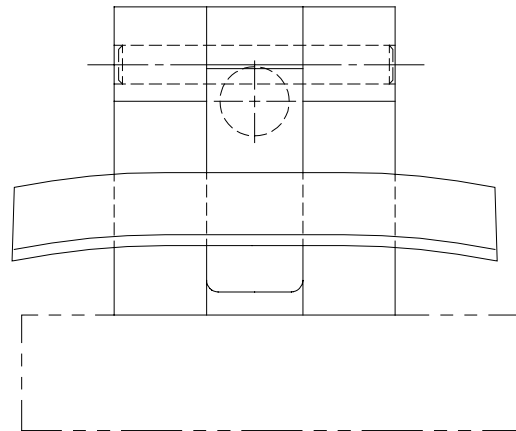
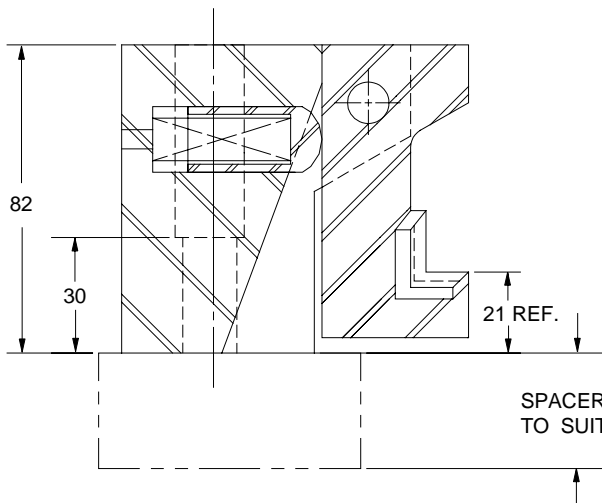


NAAMS CODE	L
M170230	230
M170280	280
M170330	330
M170380	380

# BLANK SUPPORT (M18 Series)



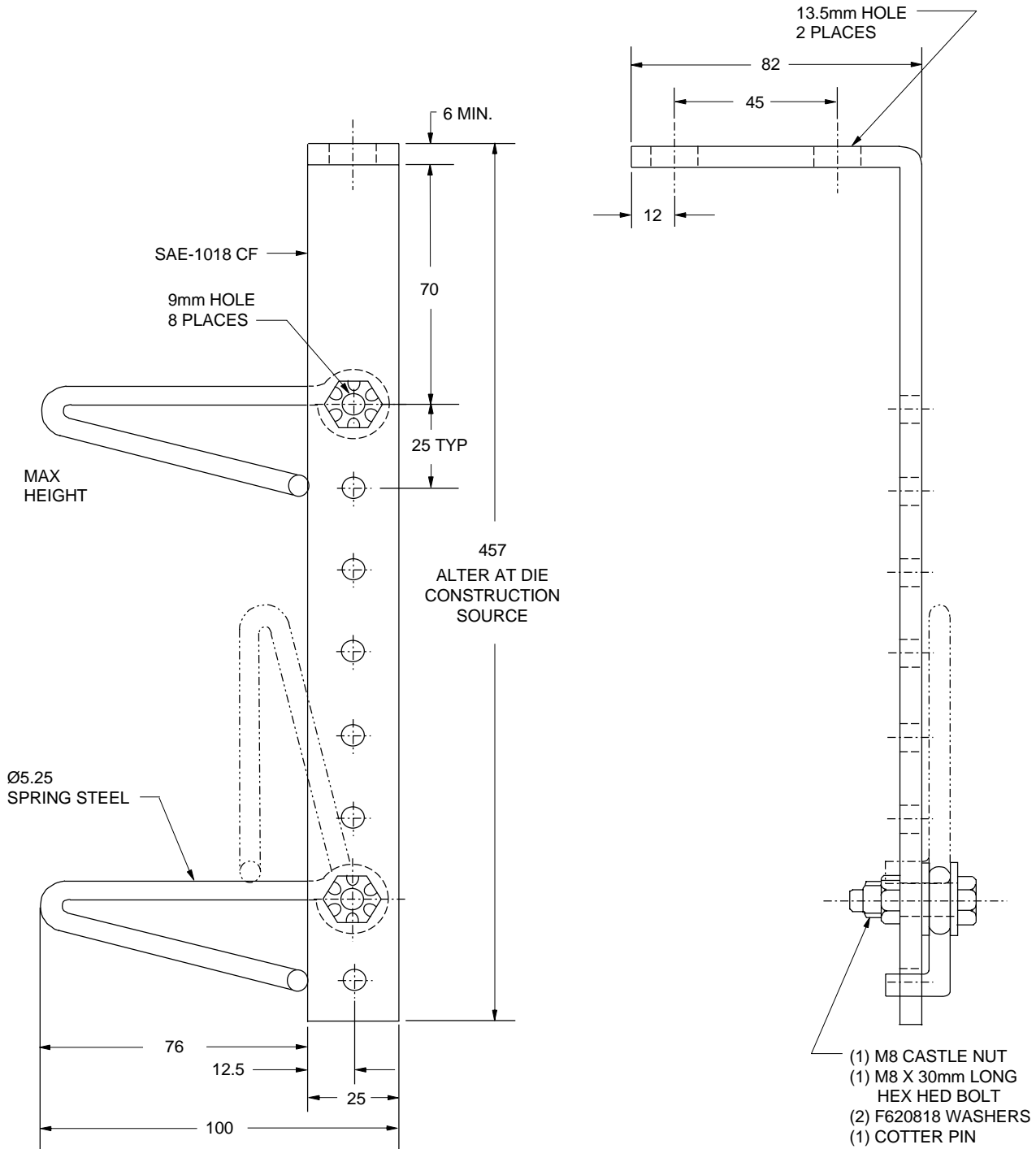
FOR M12mm SOCKET  
HEAD CAP SCREW



NAAMS CODE	A	B
M181205	125	50
M182511	255	115
M183817	381	178

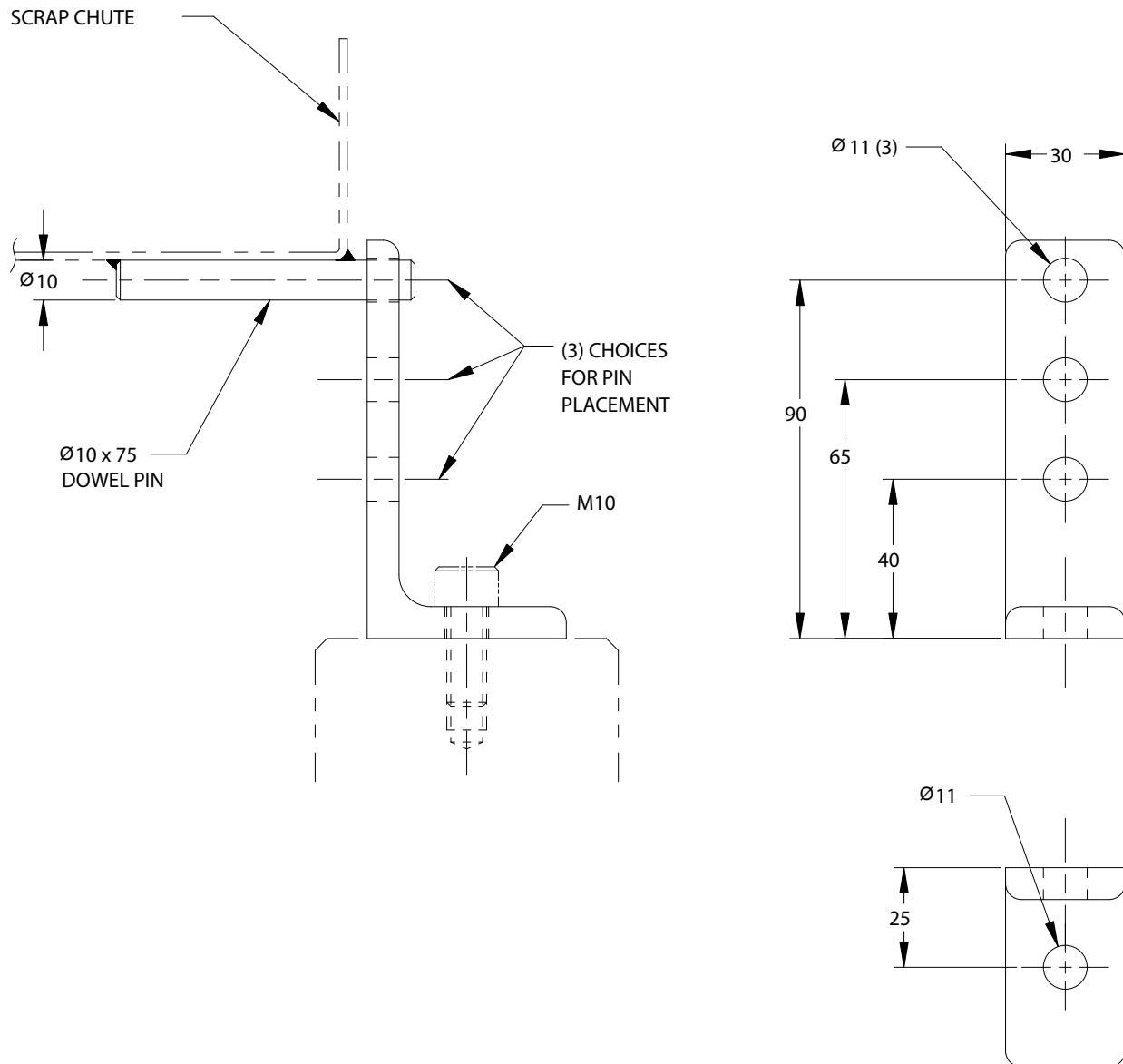
# SCRAP FLIPPER

## M190001



# SCRAP CHUTE BRACKET M200001

\*MATERIAL: Angle Iron - 8 x 50 x 100 x 30



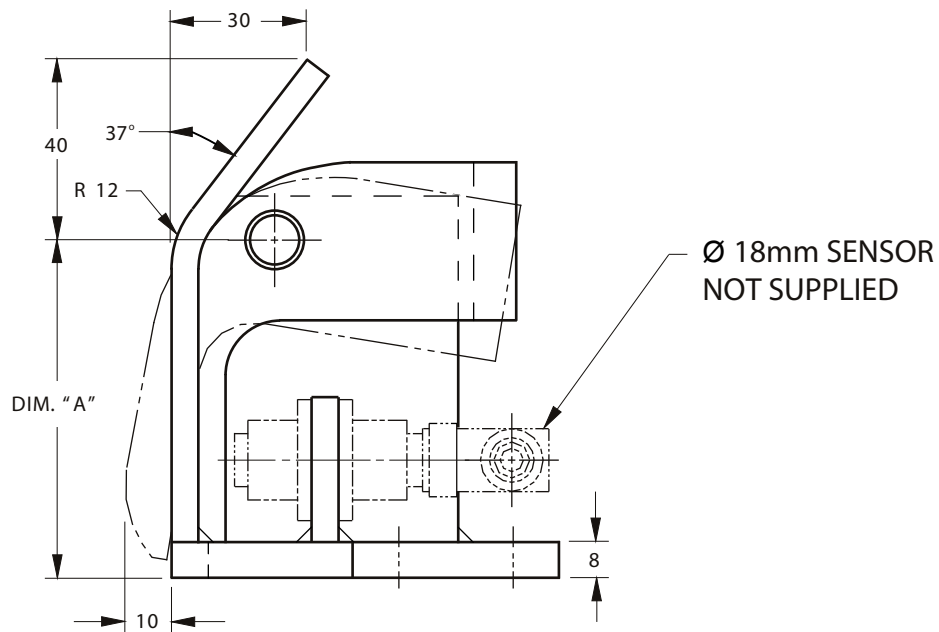
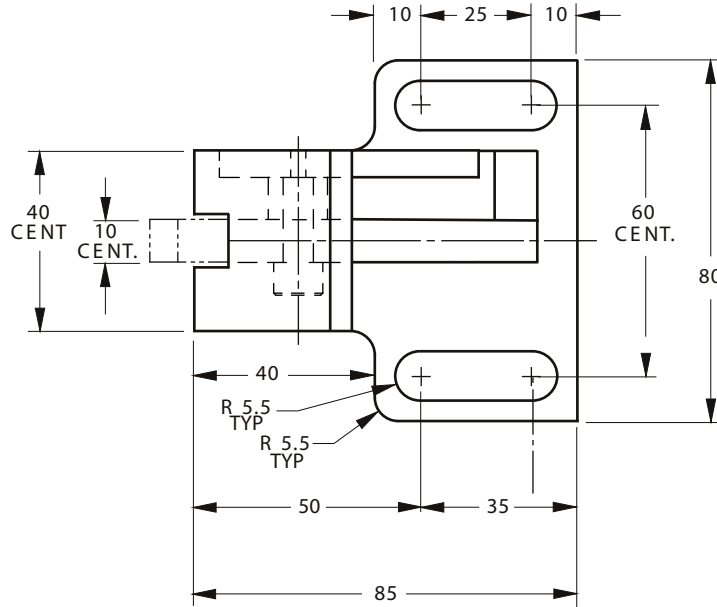
# 18MM BLANK SENSOR (M21 SERIES)

GLOBAL STANDARD COMPONENTS



Stamping

06/07/07



**FASTENERS**

2	M10 x 30 SOCKET HEAD CAP SCREWS F011012
2	M10 SAE LOCK WASHERS
2	M10 SAE FLAT WASHERS

NAAMS CODE	DIM "A"
M210075	75
M210100	100
M210150	150

# FLANGE STRIPPER AIR ACTIVATED

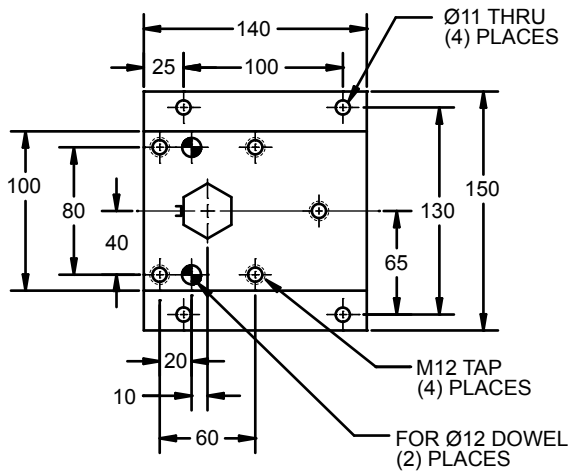
(M22 SERIES)

GLOBAL STANDARD COMPONENTS

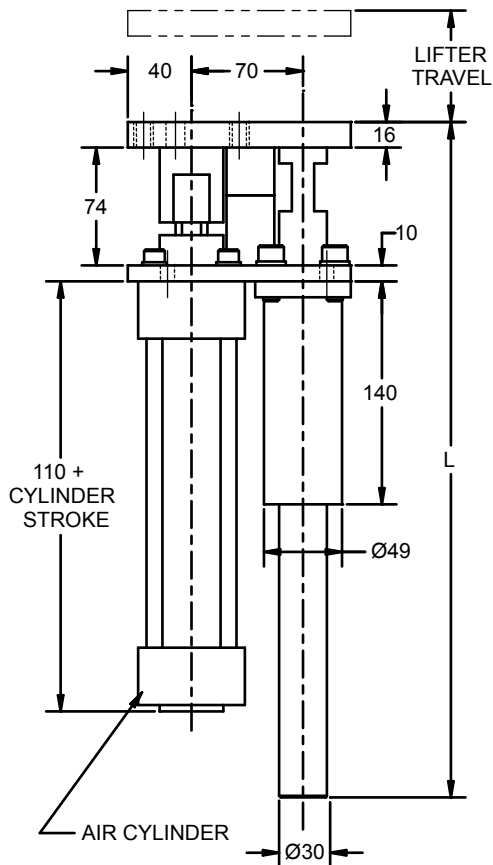


Stamping

09/16/08



NAAMS CODE	CYLINDER STROKE	LIFTER TRAVEL	L
M220807	80	70	344
M221009	100	90	364
M221615	160	150	424
M222019	200	190	464



A

B

# LIFT RAIL ASSEMBLY

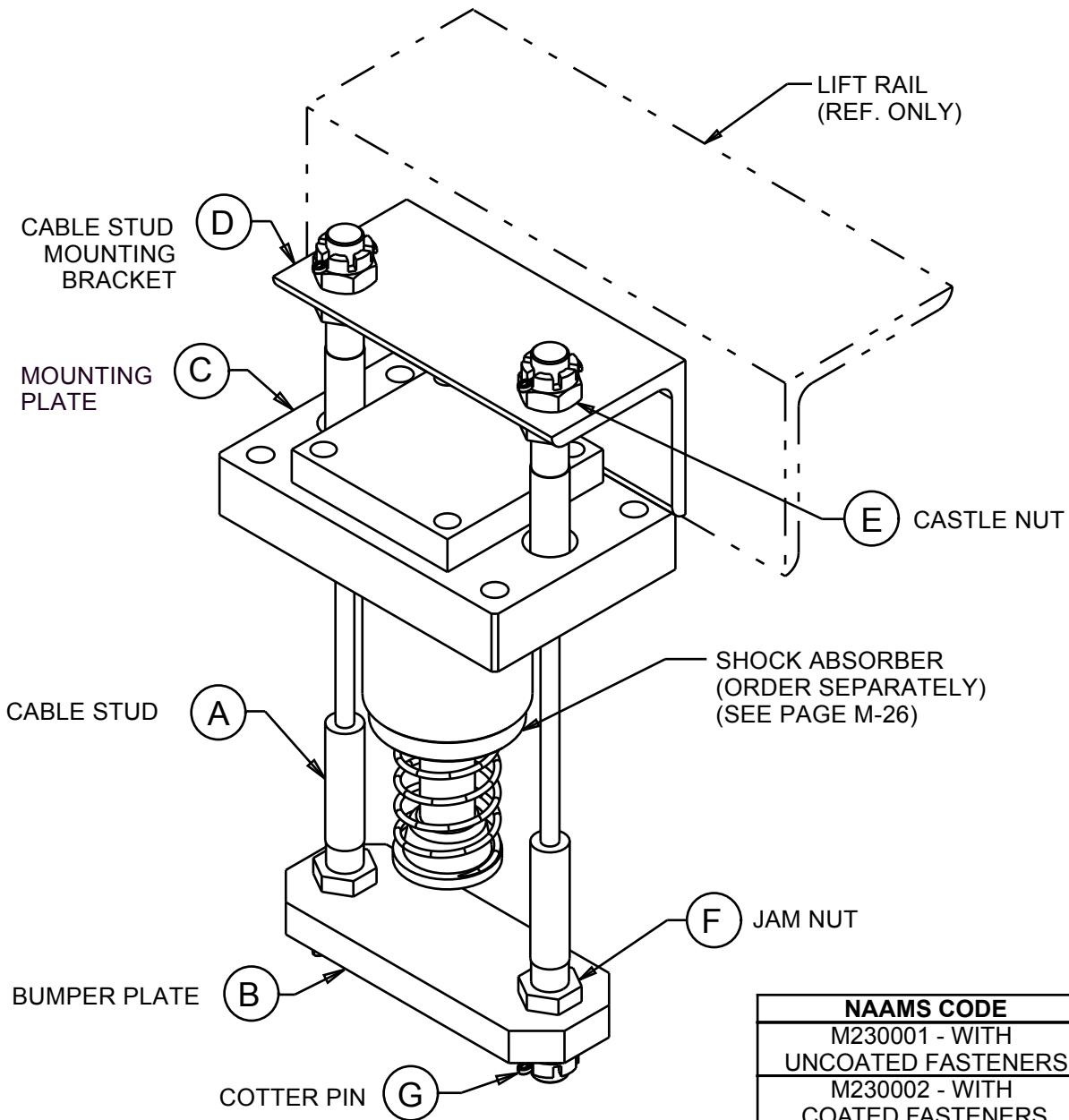
(M23 SERIES)

GLOBAL STANDARD COMPONENTS



Stamping

10/20/10



NAAMS CODE	
M230001	- WITH UNCOATED FASTENERS
M230002	- WITH COATED FASTENERS

DET.	QUAN.	NAME	NAAMS CODE/ SPECIFICATION	PAGE REF.
A	2	CABLE STUD	M230010	M-24
B	1	BUMPER PLATE	M230011	M-25
C	1	MOUNTING PLATE	M230012	M-24
D	1	CABLE STUD MOUNTING BRACKET	M230013	M-25
E	4	CASTLE NUT	F922430 (UNCOATED) F922430B (COATED)	---
F	4	JAM NUT	F472243 (UNCOATED) F472243B (COATED)	F-17
G	4	COTTER PIN	F9305050	---

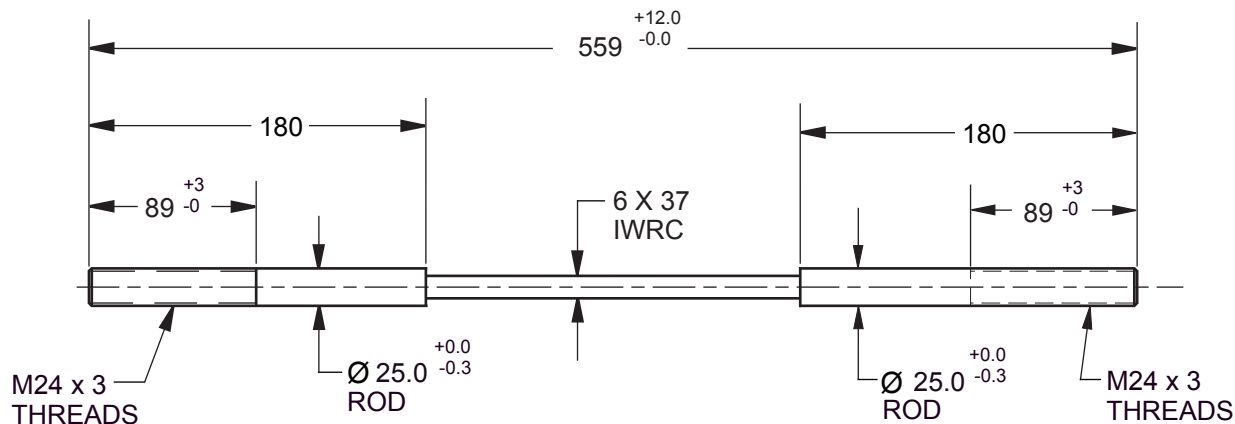
# LIFTER RAIL CABLE STUD & MOUNTING PLATE

GLOBAL STANDARD COMPONENTS

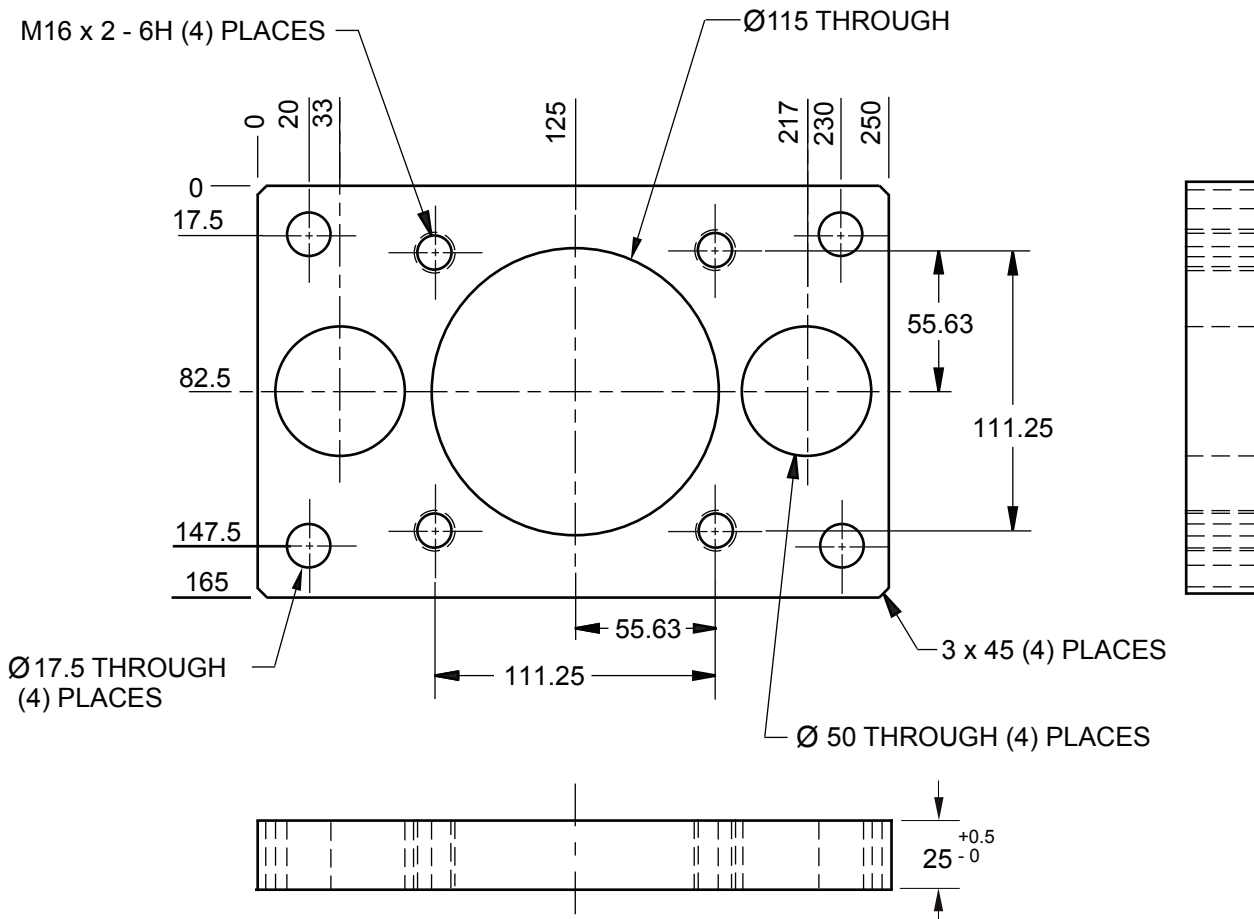


Stamping

10/20/10



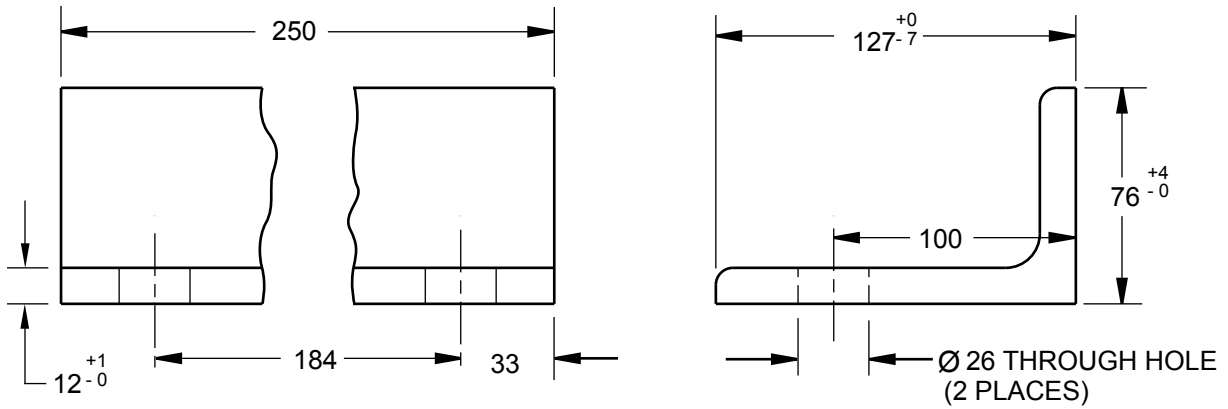
**CABLE STUD**  
NAAMS CODE M230010



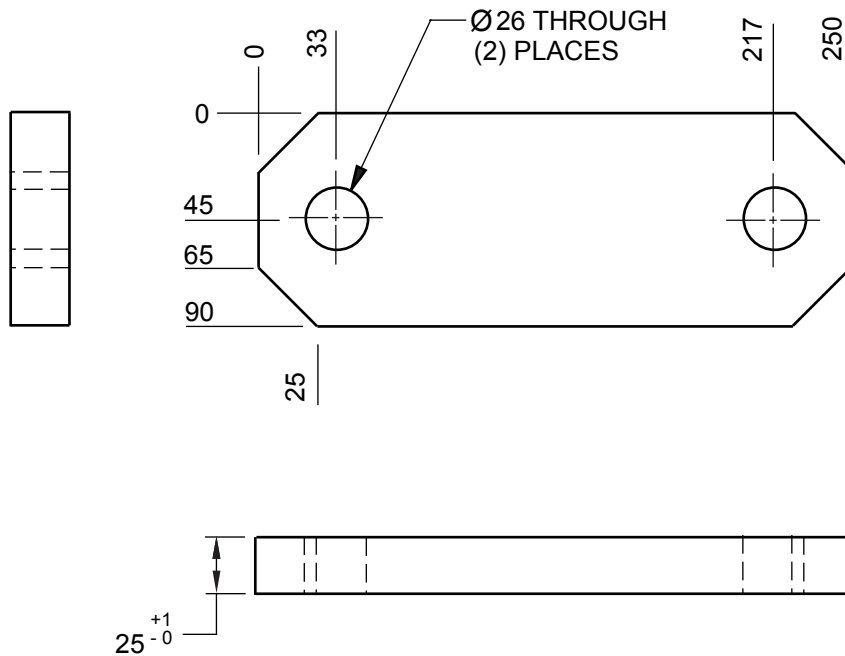
**MOUNTING PLATE**  
NAAMS CODE M230012



# LIFT RAIL CABLE STUD MOUNTING BRACKET & BUMPER PLATE



CABLE STUD MOUNTING BRACKET  
 NAAMS CODE M230013



BUMPER PLATE  
 NAAMS CODE M230011

# LIFTER RAIL SHOCK ABSORBER

(M230021)

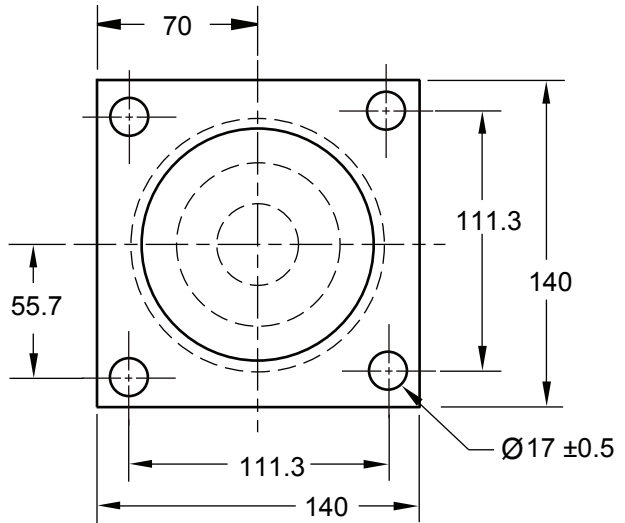
GLOBAL STANDARD COMPONENTS

TM **NAAMS** 

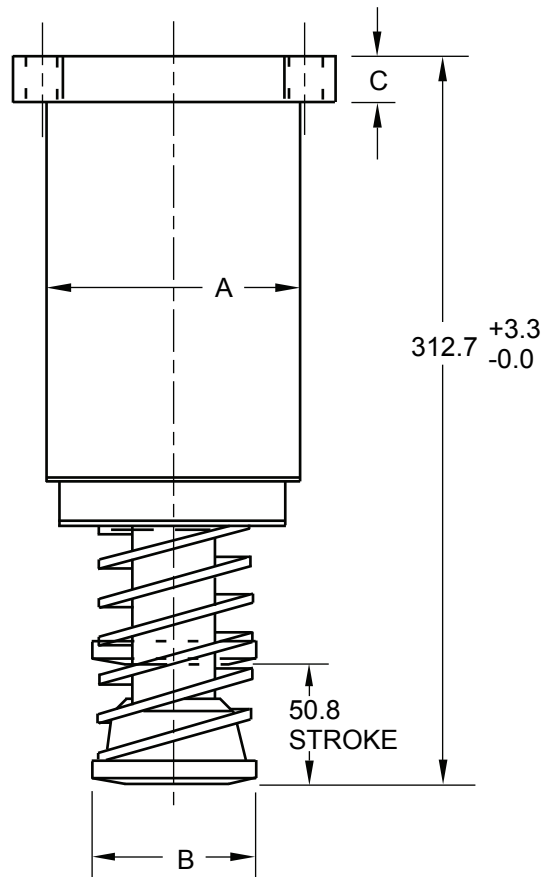
Stamping

10/20/10

- Shock absorber unit to be supplied with mount attached.
- Energy dissipation 3520 N-m/cycle minimum.



	MAX. DIM.	MIN. DIM.
A	114.3	108
B	88.1	70
C	25.4	19.1



**SHOCK ABSORBER**