

# LIFT COMPONENTS INDEX

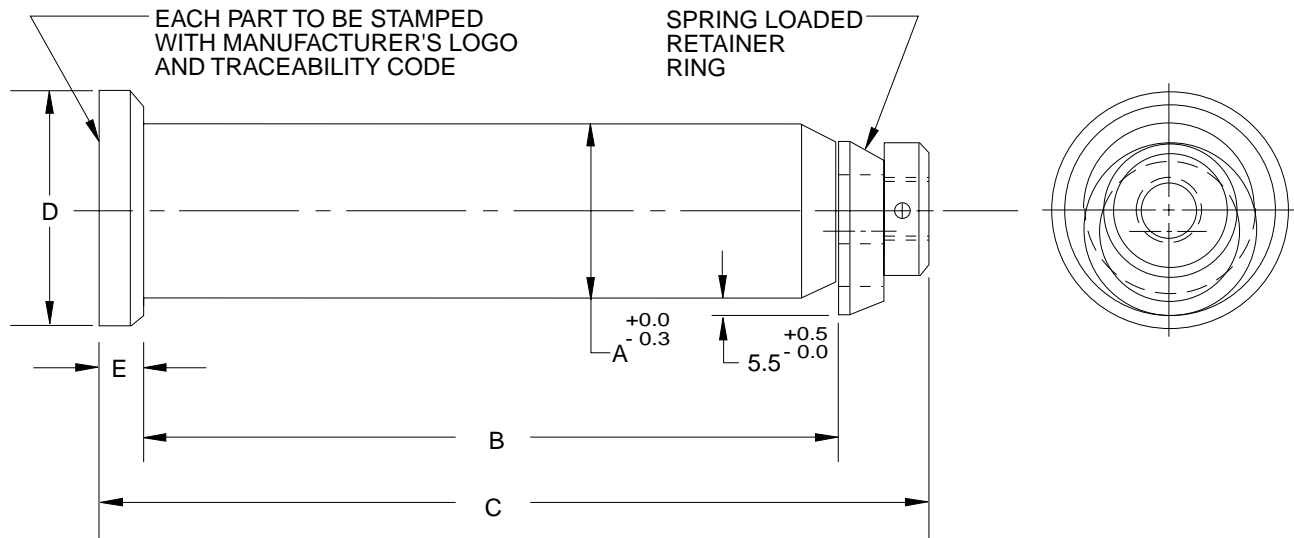
PAGE	DATE	SERIES	DESCRIPTION
<a href="#">L-1</a>	12/01/03		Lift Components Index
<a href="#">L-2</a>	04/27/01	L01	Die Lift Pin With Spring Retainer Ring
<a href="#">L-3</a>	01/03/95	L11	Casting Liner For Die Lift Pin
<a href="#">L-4</a>	08/04/99	L31	Eye Bolt Inserts

# DIE LIFT PIN WITH SPRING RETAINER RING

(L01 SERIES)

Stamping

04/27/01



A

NAAMS CODE	A DIA.	B	C	D	E
L013512	35	125	165	45	10
L015019	50	190	230	63	10
L016328	63	280	320	76	10
L018032	80	320	370	89	15

## NOTES & SPECIFICATIONS:

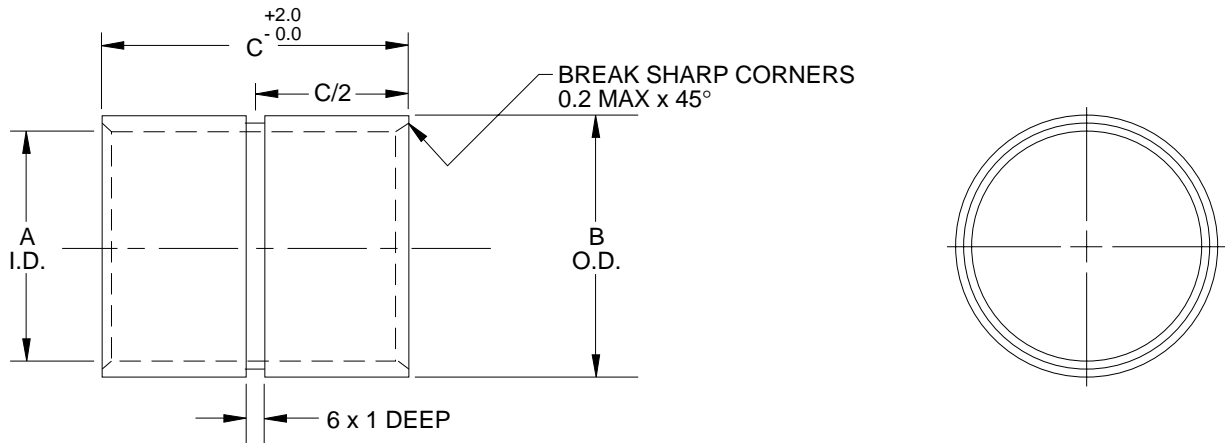
Material, steel

Tensile strength 965 MPa (140 ksi)

Yield strength 860 MPa (125 ksi)

# CASTING LINER FOR DIE LIFT PIN

(L11 SERIES)



NAAMS CODE	LIFT PIN DIA.	A I.D.	B O.D.	C	EQUIVALENT TUBE - INCHES	
					O/S DIA.	WALL THK.
L115050	50	52	60	50	2-3/8	.156
L116380	63	65	73	80	2-7/8	.156
L118010	80	83	92	100	3-5/8	.188

**NOTES & SPECIFICATIONS:**

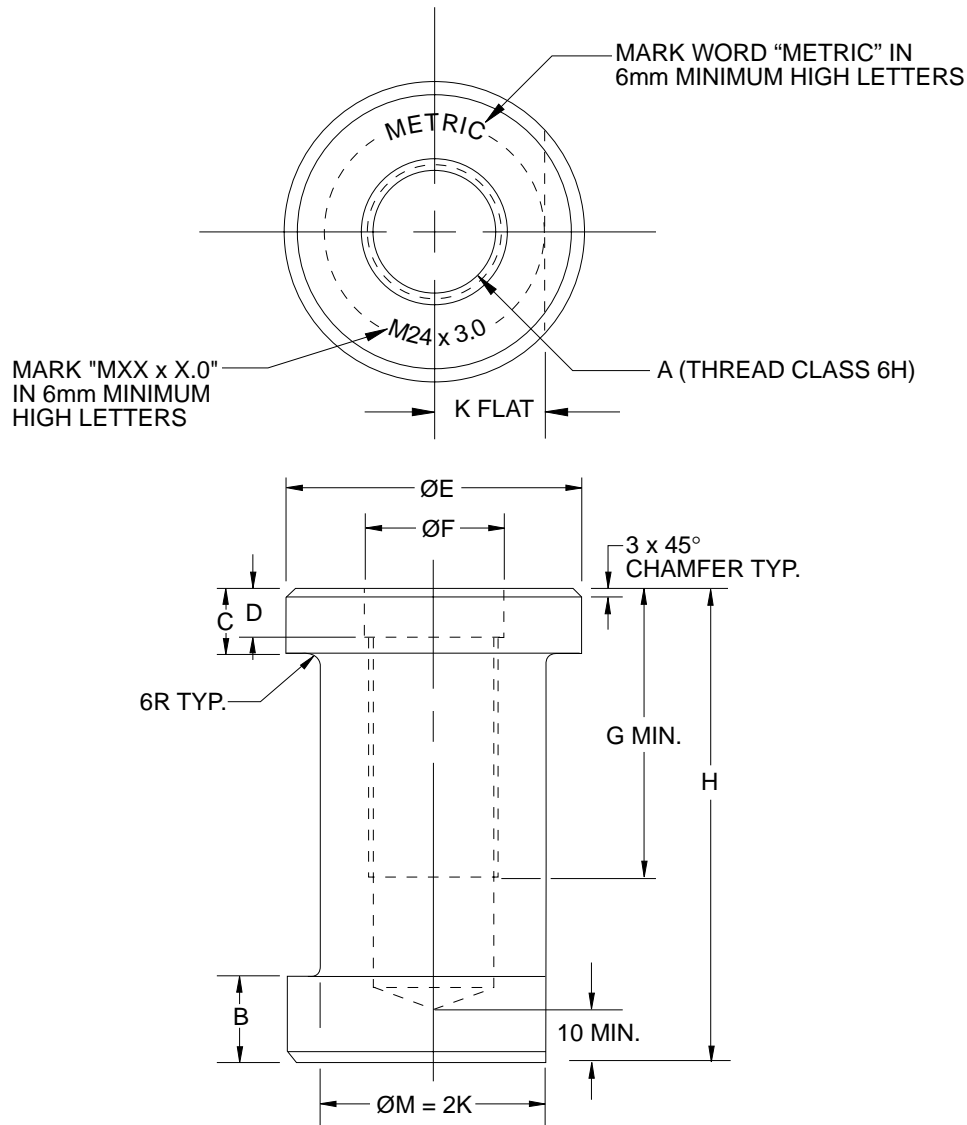
Material, steel

# EYE BOLT INSERTS

(L31 SERIES)

Stamping

08/04/99



NAAMS CODE	A	B	C	D	$\varnothing E$	$\varnothing F$	G	H	$\varnothing M$	K FLAT
L311672	M16 x 2.0	16	12	7	45	18	42	72	32	16
L312080	M20 x 2.5	16	12	8	50	22	50	80	36	18
L312288	M22 x 2.5	16	12	9	55	26	54	88	42	21
L312488	M24 x 3.0	16	12	9	55	26	54	88	42	21
L313000	M30 x 3.5	20	20	10	70	33	70	100	50	25
L313612	M36 x 4.0	22	22	10	80	39	82	112	60	30

## NOTES & SPECIFICATIONS:

Material, AISI-1144 Fatigue Proof