

GUIDE AND GAGE COMPONENTS INDEX

PAGE	DATE	SERIES	DESCRIPTION
G-1	01/29/13		Guide and Gage Components Index
G-1.1	01/29/13		Guide and Gage Components Index
G-2	08/12/97	G01 & G02	Self-Lube Guide Block
G-3	01/03/95	G01	Self-Lube Guide Block (45mm) Coding
G-4	01/03/95	G02	Self-Lube Guide Block (60mm) Coding
G-5	08/12/97	G11	Self-Lube Corner Guide Blocks
G-6	05/19/00	G15	65 mm Wide U & V Blocks
G-7	05/19/00	G16 & G17	65 mm Wide U & V Blocks
G-8	05/19/00	G21	75 mm Wide U & V Blocks
G-9	05/19/00	G22 & G23	75 mm Wide U & V Blocks
G-10	06/20/03	G31	125 mm Wide U & V Blocks
G-11	05/19/00	G32 & G33	125 mm Wide U & V Blocks
G-12	05/19/00	G41, G42 & G43	Center Key Guide and Center Key
G-13	05/19/00	G50	Shoulder Guide Post/Pin
G-14	05/19/00	G50	Shoulder Guide Post/Pin Coding
G-15	05/19/00	G51	Guide Post/Pin
G-16	10/17/05	G51	Guide Post/Pin Coding
G-17	08/04/05	G61	Guide Post/Pin Bronze Bushing
G-18	08/04/05	G71	Bronze Pad Bushing
G-19	05/19/00	G72 & G73	Bushing Toe Clamp
G-20	05/19/00	G72 & G73	Bushing Clamping Procedures
G-21	05/19/00	G81	Finger Gage
G-22	09/25/07	G91	Balancing Cones
G-23	05/19/00	G91	Balancing Cones Coding
G-24	10/19/01	G82	Disappearing Gage
G-25	09/29/03	G34	175 mm Wide U & V Blocks
G-26	09/29/03	G35 & G36	175 mm Wide U & V Blocks
G-27	12/19/12		Blank Page

GUIDE AND GAGE COMPONENTS INDEX

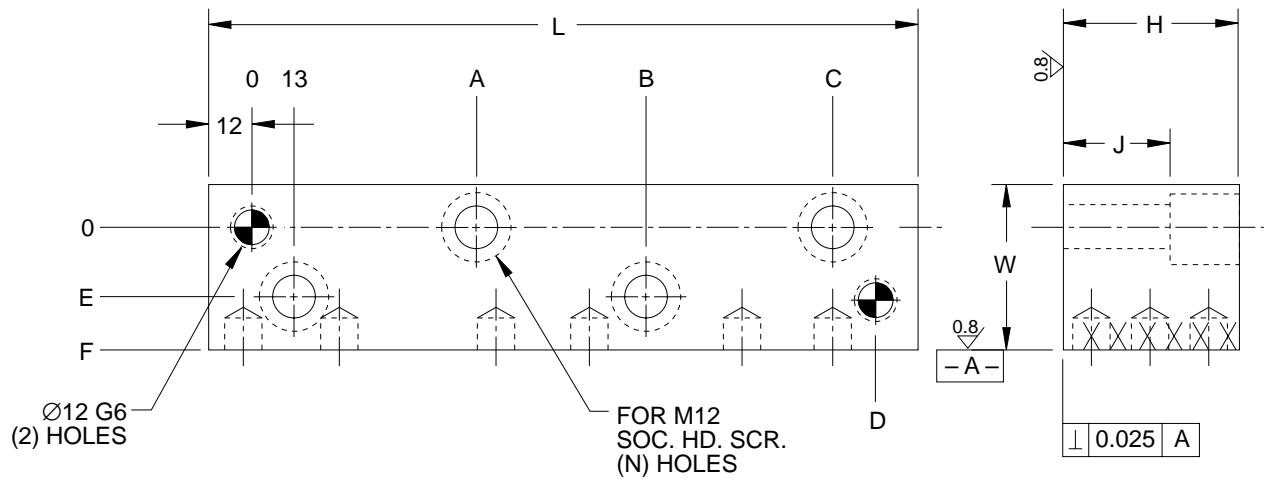
PAGE	DATE	SERIES	DESCRIPTION
G-28	12/19/12		Blank Page
G-29	12/19/12		Blank Page
G-30	12/19/12		Blank Page
G-31	12/19/12		Blank Page
G-32	12/19/12		Blank Page
G-33	12/19/12		Blank Page
G-34	01/29/13		Blank Page
G-35	01/29/13		Blank Page
G-36	08/01/11	G56	Blank Crowder
G-37	08/01/11	G56	Blank Crowder
G-38	08/01/11		Blank Page
G-39	08/01/11		Blank Page
G-40	08/01/11	G95	Trim Tab Pilot Gage
G-41	08/01/11	G95	Trim Tab Pilot Gage
G-42	08/01/11	G95	Trim Tab Pilot Gage
G-43	08/01/11	G95	Trim Tab Pilot Gage
G-44	08/01/11	G95	Trim Tab Pilot Gage
G-45	08/01/11	G95	Trim Tab Pilot Gage
G-46	12/19/12	G96	Adjustable Bar Gage/Sensor
G-47	12/19/12	G96	Adjustable Bar Gage/Sensor
G-48	12/19/12	G96	Adjustable Bar Gage/Sensor

SELF-LUBE GUIDE BLOCKS

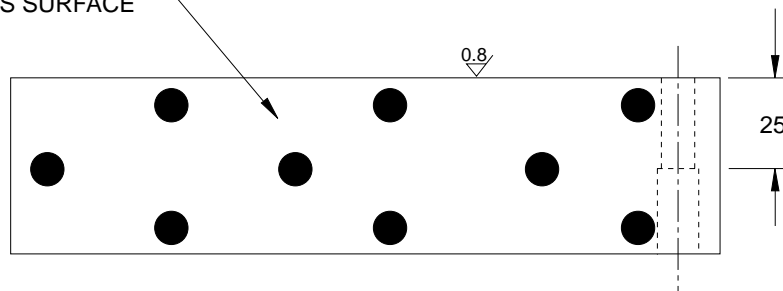
(G01 & G02 SERIES)

Stamping

08/12/97



GRAPHITE PLUGS
THIS SURFACE



NOTES & SPECIFICATIONS:

Screw hole locations ± 0.25

Dowel hole locations ± 0.10

Break all sharp edges 0.4 x 45°

Material, steel. Surface harden cross-hatched areas.

Evenly distributed graphite plugs to cover 20-30% of the area that requires lubrication.

CODING ON FOLLOWING PAGE

A

SELF-LUBE GUIDE BLOCK CODING

(G01 SERIES)

Stamping

01/03/95

45 mm WIDE

NAAMS CODE	(N) HOLES	L	A	B	C	D	E	F	H	J	W	
G014007	2	75	–	–	38	51	18	33	40	15		
G014010	2	100	–	–	63	76						
G014012	3	125	–	50.5	88	101						
G014015	3	150	–	63	113	126						
G014017	3	175	–	75.5	138	151						
G014020	4	200	63	113	163	176						
G014022	4	225	73	128	188	201						
G014025	4	250	83	153	213	226						
G014507	2	75	–	–	38	51	18	33	45	25		
G014510	2	100	–	–	63	76						
G014512	3	125	–	50.5	88	101						
G014515	3	150	–	63	113	126						
G014517	3	175	–	75.5	138	151						
G014520	4	200	63	113	163	176						
G014522	4	225	73	128	188	201						
G014525	4	250	83	153	213	226						
G015007	2	75	–	–	38	51	18	33	50	30		45
G015010	2	100	–	–	63	76						
G015012	3	125	–	50.5	88	101						
G015015	3	150	–	63	113	126						
G015017	3	175	–	75.5	138	151						
G015020	4	200	63	113	163	176						
G015022	4	225	73	128	188	201						
G015025	4	250	83	153	213	226						
G016007	2	75	–	–	38	51	18	33	60	30		
G016010	2	100	–	–	63	76						
G016012	3	125	–	50.5	88	101						
G016015	3	150	–	63	113	126						
G016017	3	175	–	75.5	138	151						
G016020	4	200	63	113	163	176						
G016022	4	225	73	128	188	201						
G016025	4	250	83	153	213	226						
G017507	2	75	–	–	38	51	18	33	75	30		
G017510	2	100	–	–	63	76						
G017512	3	125	–	50.5	88	101						
G017515	3	150	–	63	113	126						
G017517	3	175	–	75.5	138	151						
G017520	4	200	63	113	163	176						
G017522	4	225	73	128	188	201						
G017525	4	250	83	153	213	226						

CODING CONTINUED ON FOLLOWING PAGE

SELF-LUBE GUIDE BLOCK CODING

(G02 SERIES)

Stamping

01/03/95

60 mm WIDE

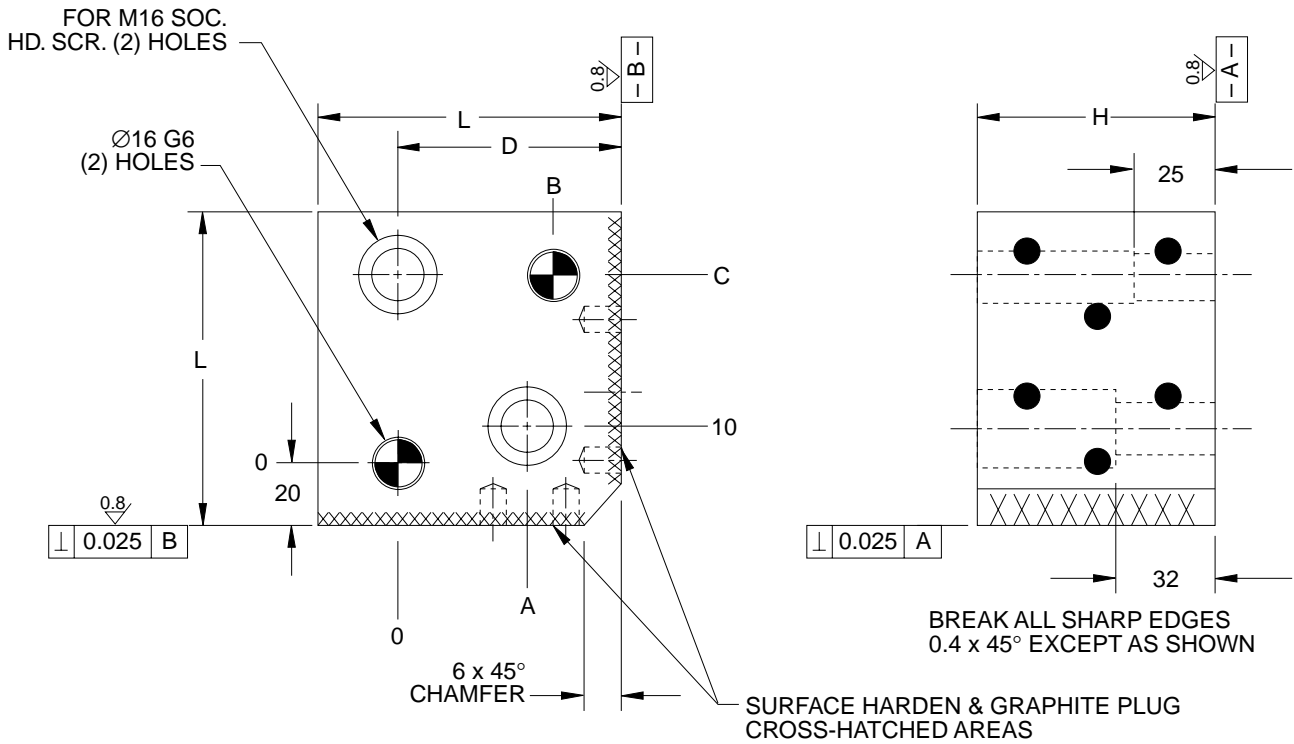
NAAMS CODE	(N) HOLES	L	A	B	C	D	E	F	H	J	W
G025007	2	75	–	–	38	51	33	48	50	30	60
G025010	2	100	–	–	63	76					
G025012	3	125	–	50.5	88	101					
G025015	3	150	–	63	113	126					
G025017	3	175	–	75.5	138	151					
G025020	4	200	63	113	163	176					
G025022	4	225	73	128	188	201					
G025025	4	250	83	153	213	226					
G026007	2	75	–	–	38	51	33	48	60	30	
G026010	2	100	–	–	63	76					
G026012	3	125	–	50.5	88	101					
G026015	3	150	–	63	113	126					
G026017	3	175	–	75.5	138	151					
G026020	4	200	63	113	163	176					
G026022	4	225	73	128	188	201					
G026025	4	250	83	153	213	226					
G028007	2	75	–	–	38	51	33	48	80	30	
G028010	2	100	–	–	63	76					
G028012	3	125	–	50.5	88	101					
G028015	3	150	–	63	113	126					
G028017	3	175	–	75.5	138	151					
G028020	4	200	63	113	163	176					
G028022	4	225	73	128	188	201					
G028025	4	250	83	153	213	226					
G020007	2	75	–	–	38	51	33	48	100	30	
G020010	2	100	–	–	63	76					
G020012	3	125	–	50.5	88	101					
G020015	3	150	–	63	113	126					
G020017	3	175	–	75.5	138	151					
G020020	4	200	63	113	163	176					
G020022	4	225	73	128	188	201					
G020025	4	250	83	153	213	226					

SELF-LUBE CORNER GUIDE BLOCKS

(G11 SERIES)

Stamping

08/12/97



A

NAAMS CODE	H	A	B	C	D	L
G118007	75	25	35	40	55	80
G118010	100					
G118012	125					
G119507	75	40	50	55	70	95
G119510	100					
G119512	125					
G111207	75	65	75	80	95	120
G111210	100					
G111212	125					

NOTES & SPECIFICATIONS:

Screw hole locations ± 0.25

Dowel hole locations ± 0.10

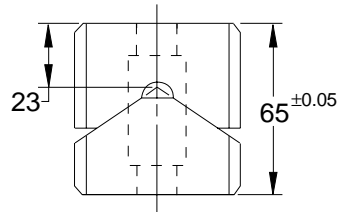
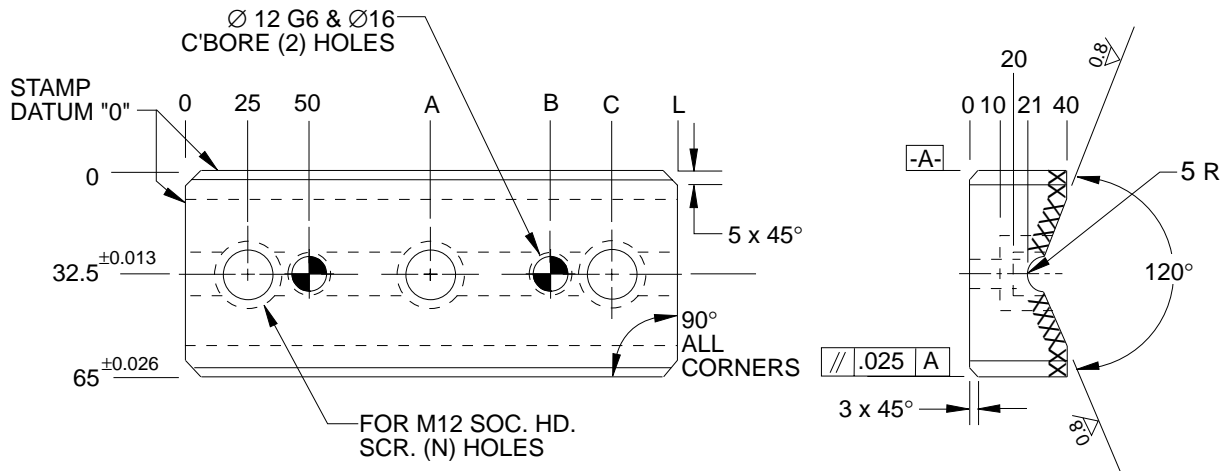
Material, steel. Grind as shown.

Evenly distributed graphite plugs to cover 20–30% of the area that requires lubrication.

65 mm WIDE U & V BLOCKS

(G15 SERIES)

FEMALE "U" BLOCK



TYPICAL SECTION
"U" & "V" BLOCK ASSEMBLY

FEMALE "U" BLOCK					
NAAMS CODE	L	A	B	C	N
G157515	150	-	100	125	2
G157520	200	-	150	175	2
G157525	250	125	200	225	3
G157530	300	150	250	275	3

NOTES & SPECIFICATIONS:

Material, steel

Surface harden cross-hatched areas.

Tolerance between screw holes ± 0.12

Tolerance between dowel holes ± 0.10

^{1.6} All over except where otherwise stated.

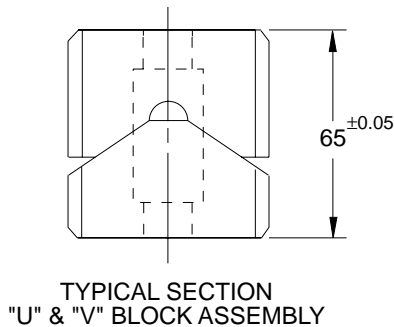
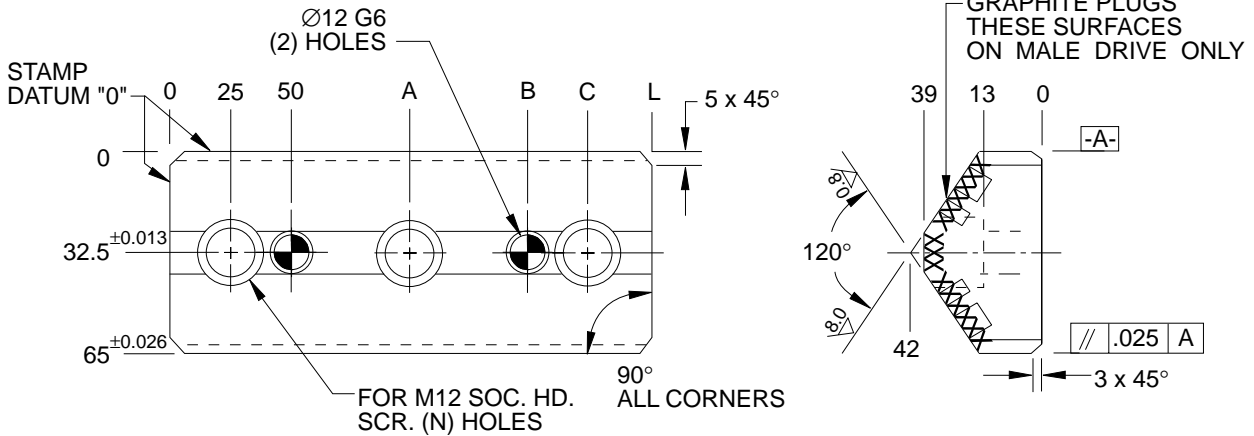
Break all sharp corners.

A

65 mm WIDE U & V BLOCKS

(G16 & G17 SERIES)

MALE "V" BLOCK



MALE "V" BLOCK						
NAAMS CODE(X)	NAAMS CODE(Y)	L	A	B	C	N
G167515	G177515	150	—	100	125	2
G167520	G177520	200	—	150	175	2
G167525	G177525	250	125	200	225	3
G167530	G177530	300	150	250	275	3

NOTES & SPECIFICATIONS:

Material, steel or bronze

Use code X for steel

Use code Y for bronze

Surface harden cross-hatched areas on steel.

Tolerance between screw holes ±0.12

Tolerance between dowel holes ±0.10

1.6 All over except where otherwise stated.

Break all sharp corners

Male "V" driver requires evenly distributed graphite plugs to cover 20-30% of the surface that requires lubrication

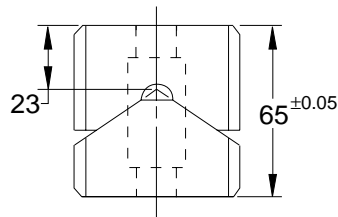
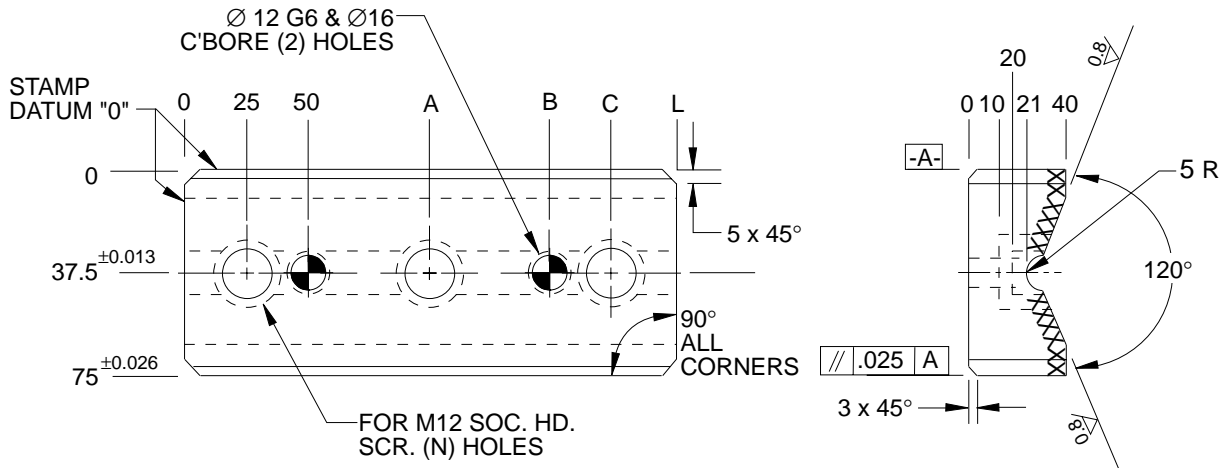
A

B

75 mm WIDE U & V BLOCKS

(G21 SERIES)

FEMALE "U" BLOCK



TYPICAL SECTION
"U" & "V" BLOCK ASSEMBLY

FEMALE "U" BLOCK					
NAAMS CODE	L	A	B	C	N
G217515	150	-	100	125	2
G217520	200	-	150	175	2
G217525	250	125	200	225	3
G217530	300	150	250	275	3

NOTES & SPECIFICATIONS:

Material, steel

Surface harden cross-hatched areas.

Tolerance between screw holes ± 0.12

Tolerance between dowel holes ± 0.10

^{1.6} All over except where otherwise stated.

Break all sharp corners.

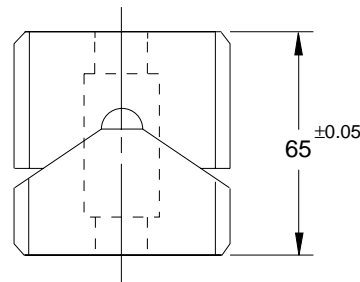
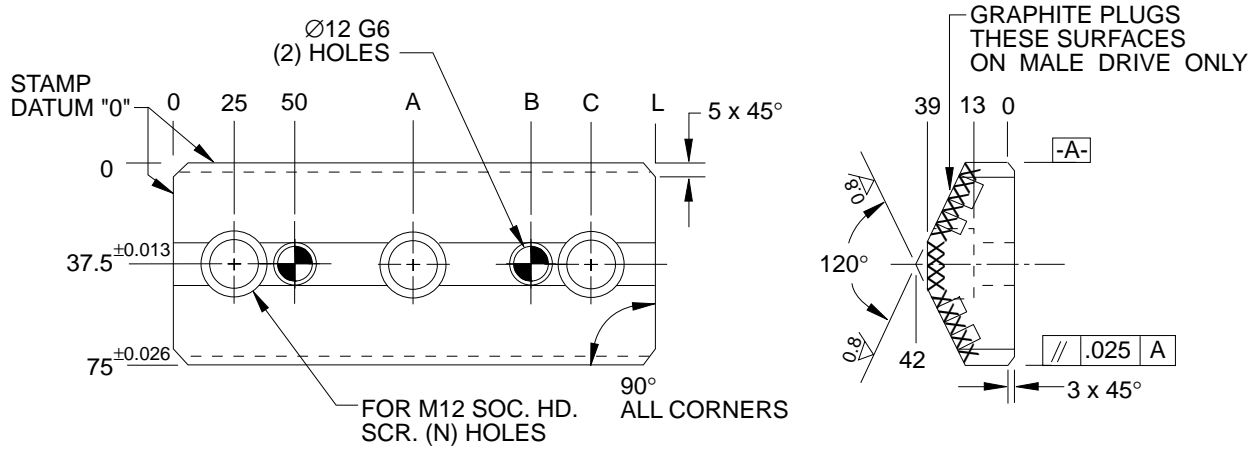
A

B

75 mm WIDE U & V BLOCKS

(G22 & G23 SERIES)

MALE "V" BLOCK



MALE "V" BLOCK						
NAAMS CODE(X)	NAAMS CODE(Y)	L	A	B	C	N
G227515	G237515	150	-	100	125	2
G227520	G237520	200	-	150	175	2
G227525	G237525	250	125	200	225	3
G227530	G237530	300	150	250	275	3

NOTES & SPECIFICATIONS:

Material, steel or bronze

Use code X for steel

Use code Y for bronze

Surface harden cross-hatched areas on steel.

Tolerance between screw holes ± 0.12

Tolerance between dowel holes ± 0.10

^{1.6} All over except where otherwise stated.

Break all sharp corners

Male "V" driver requires evenly distributed graphite plugs to cover 20-30% of the surface that requires lubrication

A

B

125 mm WIDE U & V BLOCKS

(G31 SERIES)

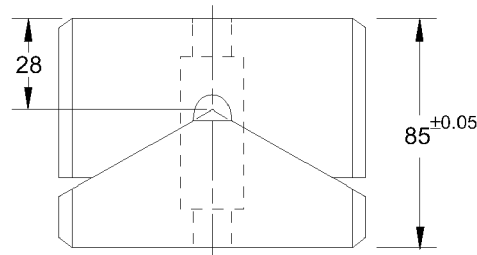
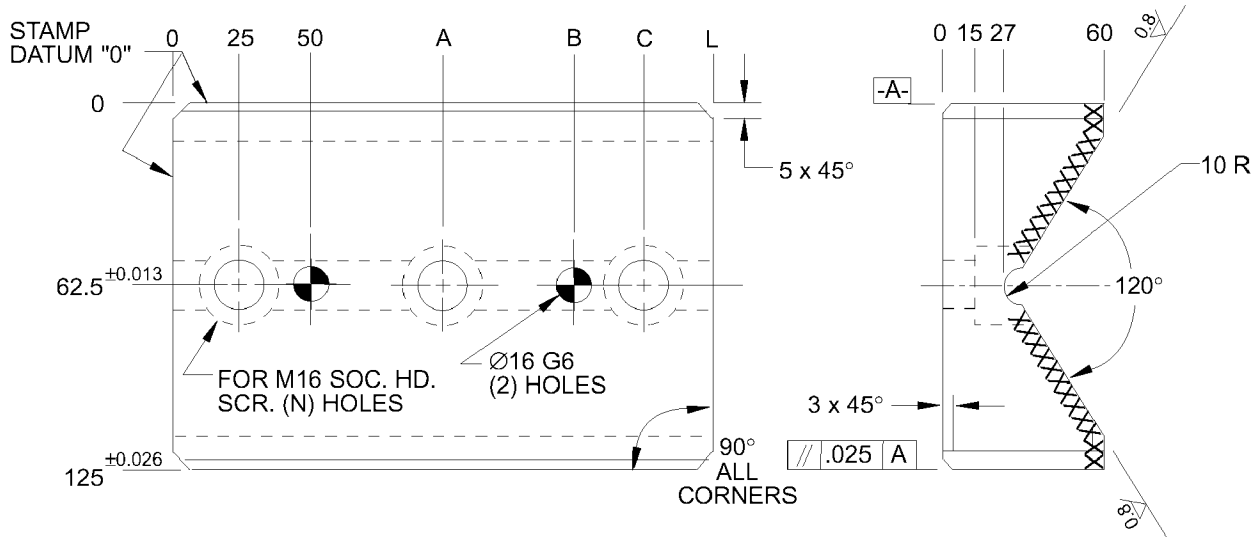
GLOBAL STANDARD COMPONENTS



Stamping

06/20/03

FEMALE "U" BLOCK



"U" & "V" BLOCK ASSEMBLY

FEMALE "U" BLOCK					
NAAMS CODE	L	A	B	C	N
G311215	150	-	100	125	2
G311220	200	-	150	175	2
G311225	250	125	200	225	3
G311230	300	150	250	275	3

NOTES & SPECIFICATIONS:

Material, steel

Surface harden cross-hatched areas.

Tolerance between screw holes ± 0.12

Tolerance between dowel holes ± 0.10

^{1.6} All over except where otherwise stated.

Break all sharp corners.

C

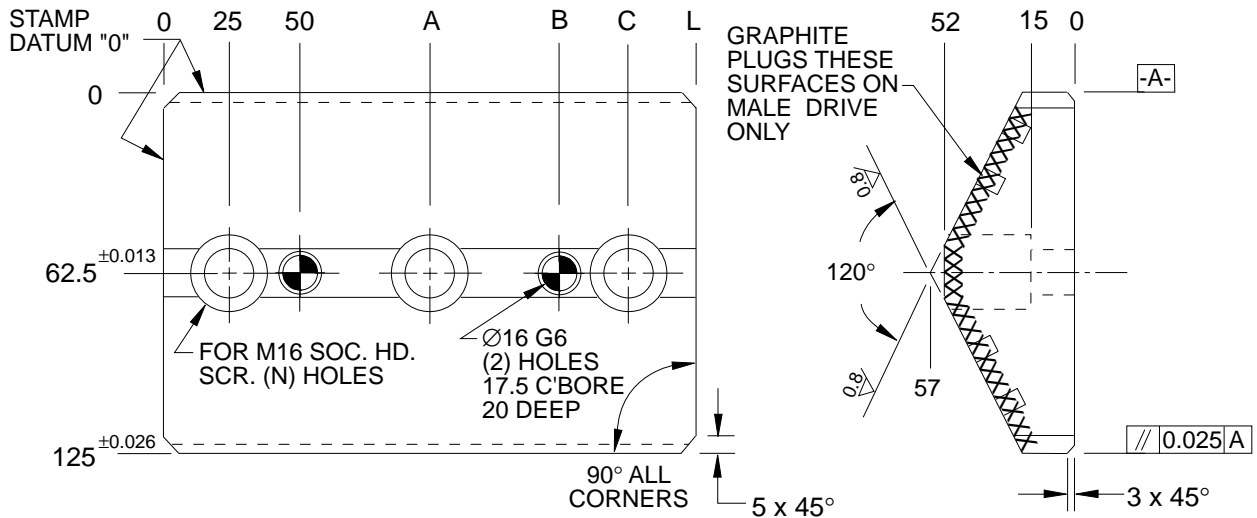
A

B

125 mm WIDE U & V BLOCKS

(G32 & G33 SERIES)

MALE "V" BLOCK



A

MALE "V" BLOCK						
NAAMS CODE(X)	NAAMS CODE(Y)	L	A	B	C	N
G321215	G331215	150	-	100	125	2
G321220	G331220	200	-	150	175	2
G321225	G331225	250	125	200	225	3
G321230	G331230	300	150	250	275	3

"U" & "V" BLOCK ASSEMBLY

NOTES & SPECIFICATIONS:

Material, steel or bronze

Use code X for steel

Use code Y for bronze

Surface harden cross-hatched areas on steel.

Tolerance between screw holes ± 0.12

Tolerance between dowel holes ± 0.10

^{1.6} All over except where otherwise stated.

Break all sharp corners

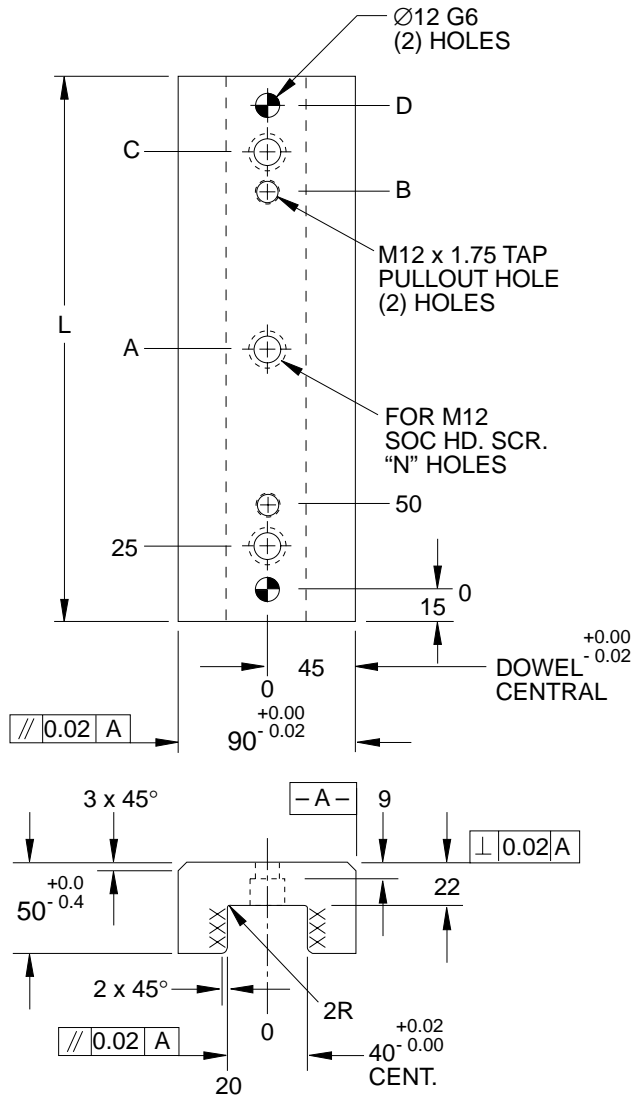
Male "V" driver requires evenly distributed graphite plugs to cover 20–30% of the surface that requires lubrication

B

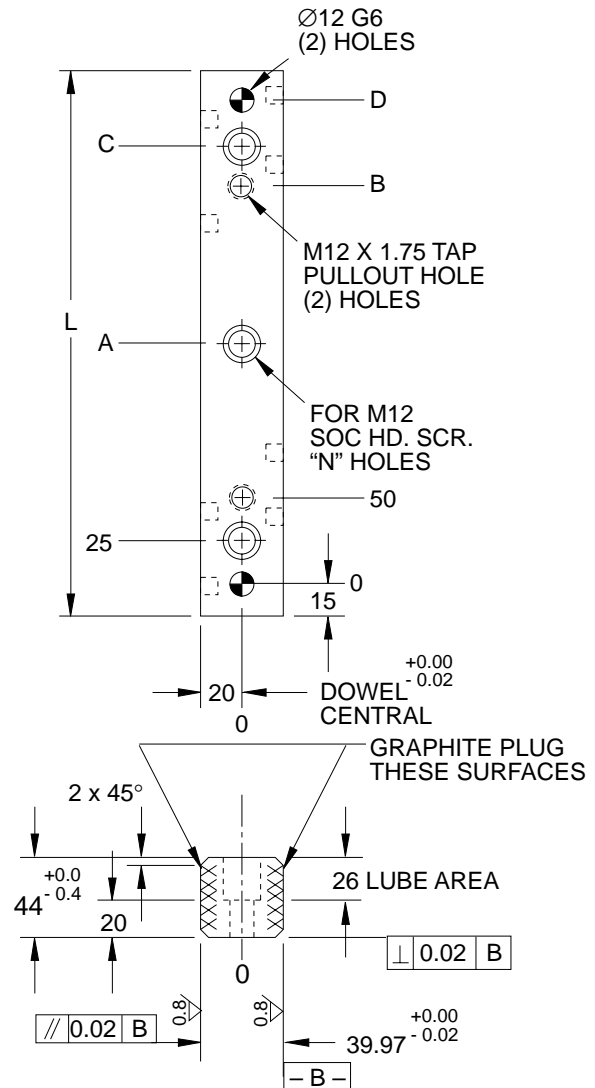
CENTER KEY GUIDE AND CENTER KEY

(G41, G42 & G43 SERIES)

CENTER KEY GUIDE (G41)



CENTER KEY (G42 & G43)



NAAMS CODE (X)	NAAMS CODE (Y)	A	B	C	D	L	"N"
G419020		-	120	145	170	200	2
G419030		135	220	245	270	300	3
G424020	G434020	-	120	145	170	200	2
G424030	G434030	135	220	245	270	300	3

Use Code X for steel, Code Y for bronze.

NOTES & SPECIFICATIONS:

Tolerance between screw holes ± 0.25

Tolerance between dowel holes ± 0.10

Material, steel or bronze. Surface harden cross-hatched areas on steel.

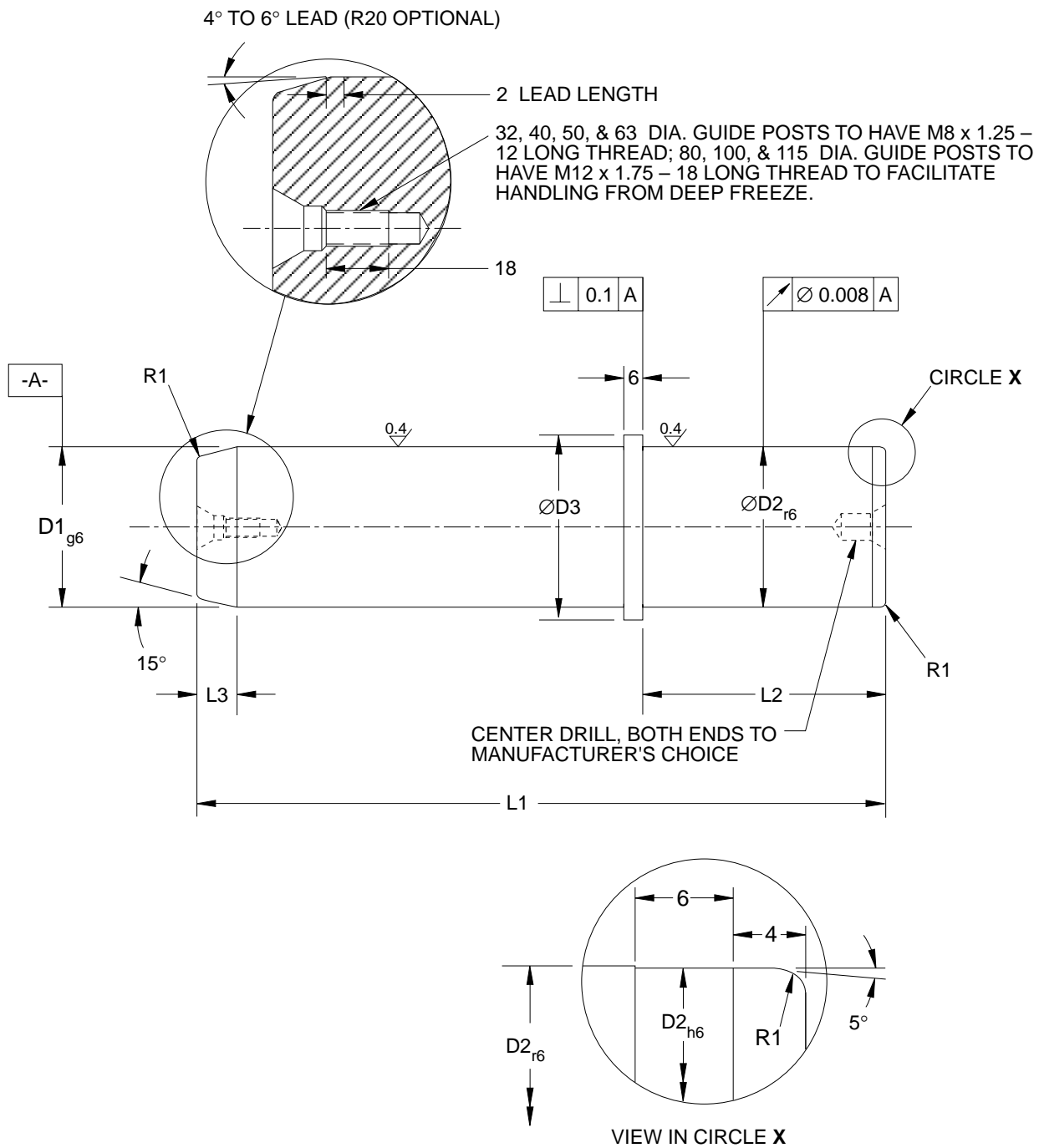
Evenly distributed graphite plugs to cover 20-30% of the area that requires lubrication.

A

B

SHOULDER GUIDE POST/PIN

(G50 SERIES)



A

A

B

SHOULDER GUIDE POST/PIN CODING

(G50 SERIES)

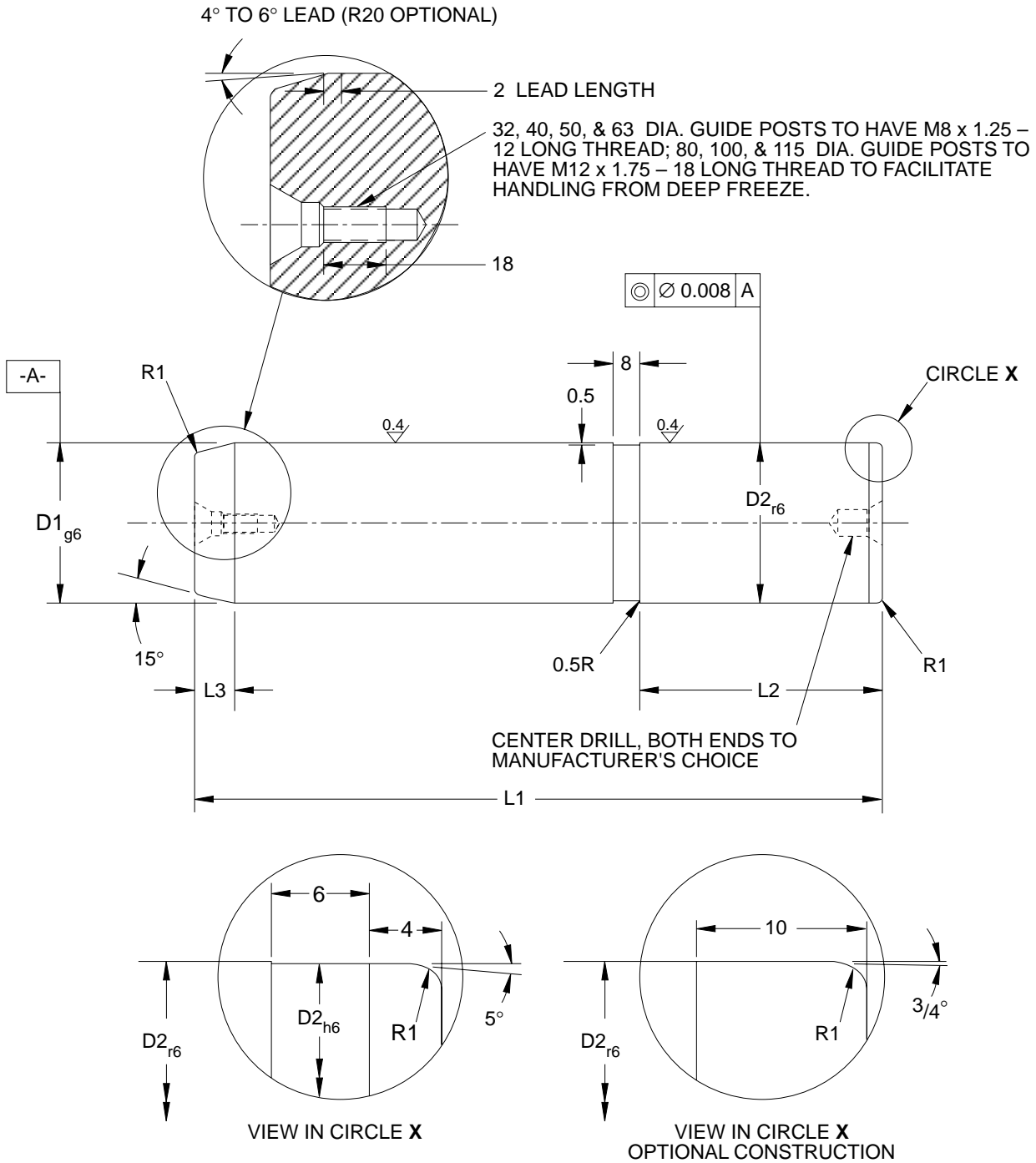
NAAMS CODE	D1	D2	D3	L1	L2	L3	R1
G504016	40	40	50	160	56	8	2
G504018				180			
G504020				200			
G504022				225			
G504025				250			
G505016	50	50	63	160	70	10	2.5
G505018				180			
G505020				200			
G505022				225			
G505025				250			
G505028				280			
G505031	315						
G506320	63	63	80	200	80	10	2.5
G506322				225			
G506325				250			
G506328				280			
G506331				315			
G506335				355			
G506340	400						
G508025	80	80	100	250	100	10	3
G508028				280			
G508031				315			
G508035				355			
G508040				400			
G501031	100	100	125	315	125	10	3
G501035				355			
G501040				400			

A

B

GUIDE POST/PIN

(G51 SERIES)



NOTES & SPECIFICATIONS:

Hardened steel

CODING ON FOLLOWING PAGE

A

GUIDE POST/PIN CODING

(G51 SERIES)

NAAMS CODE	D1	D2	L1	L2	L3	R1
G512508	25	25	80	40	8	2
G512510			100			
G512512			125			
G512514			140			
G512516			160			
G512518			180			
G513210	32	32	100	45	8	2
G513212			125			
G513214			140			
G513216			160			
G513218			180			
G513220			200			
G514016	40	40	160	56	8	2
G514018			180			
G514020			200			
G514022			225			
G514025			250			
G515016	50	50	160	70	10	2.5
G515018			180			
G515020			200			
G515022			225			
G515025			250			
G515028			280			
G515031			315			
G516320	63	63	200	80	10	2.5
G516322			225			
G516325			250			
G516328			280			
G516331			315			
G516335			355			
G516340			400			
G516350			500			
G518025			80			
G518028	280					
G518031	315					
G518035	355					
G518040	400					
G518050	500					
G511031	100	100	315	125	10	3
G511035			355			
G511040			400			
G511050			500			
G511140	115	115	400	140	10	3
G511150			500			
G511240	125	125	400	140	10	3
G511245			450			
G511250			500			
G511255			550			
G511260			600			
G511265			650			
G511270			700			

C

D

A

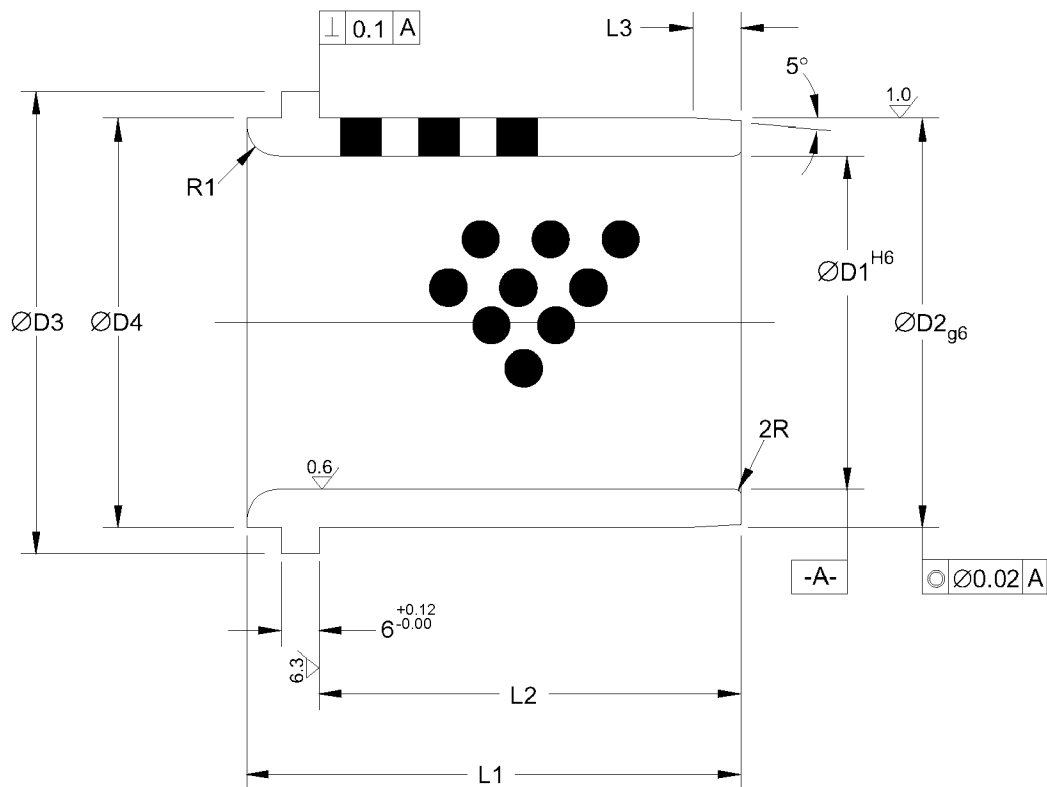
B

GUIDE POST/PIN BRONZE BUSHING

(G61 SERIES)

Stamping

08/04/05



NAAMS CODE	D1	D2	D3	D4	L1	L2	L3	R1
G612540	25	32	40	32	40	30	4	3
G613250	32	40	50	40	50	40	4	3
G614063	40	50	63	50	63	50	5	3
G615071	50	63	71	63	71	56	6	5
G616380	63	80	90	80	80	63	8	6
G618010	80	100	112	100	100	80	10	8
G611012	100	125	140	125	125	106	12	10
G611114	115	140	155	140	140	120	12	10
G611216	125	160	180	160	160	132	12	12

NOTE & SPECIFICATIONS:

- Bushings to be supplied with (3) toe clamps.
- Evenly distributed graphite to cover 20-30% of the sliding surface.
- Graphite to be positioned to insure overlapping in the slide direction.

C

B

A

BRONZE PAD BUSHING

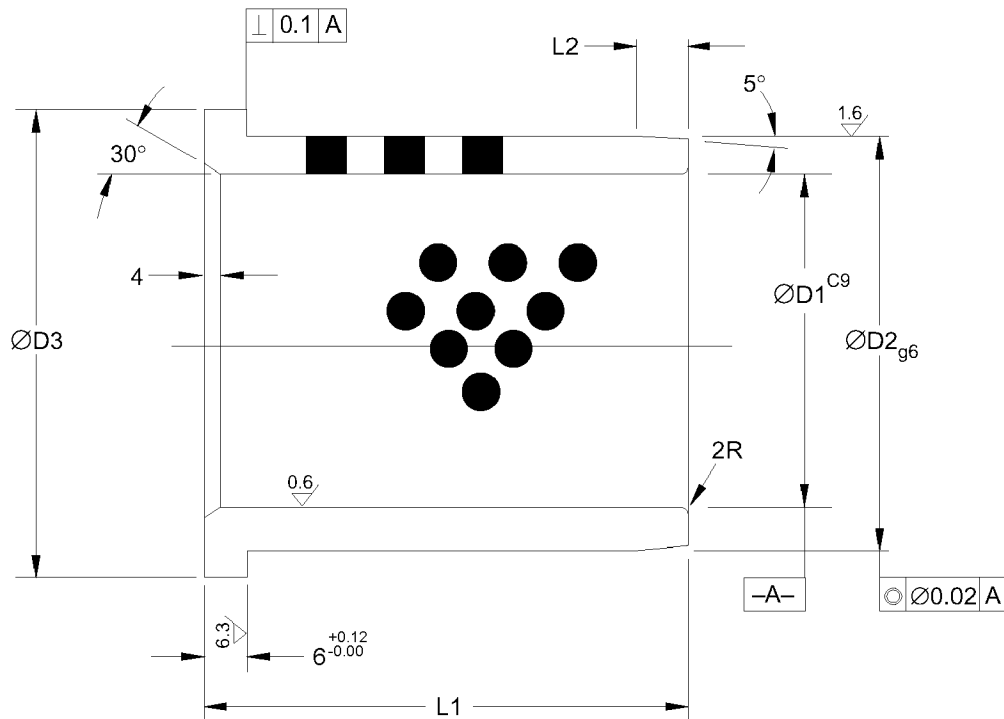
(G71 SERIES)

GLOBAL STANDARD COMPONENTS



Stamping

08/04/05



NAAMS CODE	D1	D2	D3	L1	L2
G712540	25	32	40	40	4
G713250	32	40	50	50	4
G714055	40	50	63	55	5
G715063	50	63	71	63	6
G716375	63	80	90	75	8
G718090	80	100	112	90	10
G711011	100	125	140	115	12
G711213	125	160	180	138	12

NOTES & SPECIFICATIONS:

- Bushings to be supplied with (3) toe clamps.
- Evenly distributed graphite to cover 20–30% of the sliding surface.
- Graphite to be positioned to insure overlapping in the slide direction.

C

B

A

BUSHING TOE CLAMP

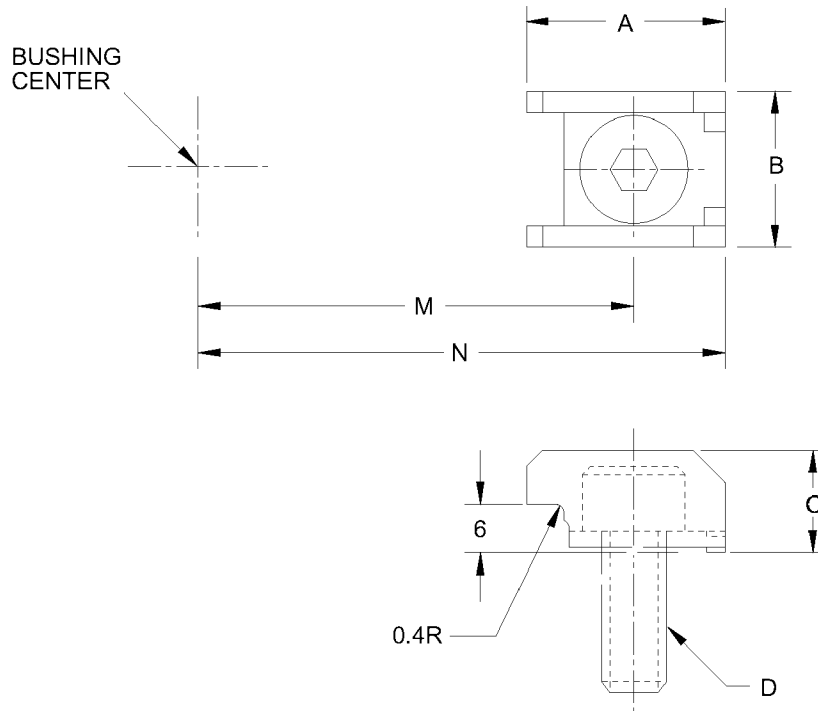
(G72 AND G73 SERIES)

GLOBAL STANDARD COMPONENTS



Stamping

05/30/03



NAAMS CODE
G720000

A = 24.6
B = 18.9
C = 13
D = M8 x 1.25 x 20

NOM POST DIA	M	N
25	29	40.1
32	34	45.1
40	40.5	51.6
50	44.5	55.6
63	54	65.1
80	65	76.1
100	79	90.1
115	86.5	97.6

NAAMS CODE
G730000

A = 27.9
B = 23.5
C = 15.5
D = M10 x 1.5 x 20

NOM POST DIA	M	N
25	30.5	43.4
32	35.5	48.4
40	42	54.9
50	46	58.9
63	55.5	68.4
80	66.5	79.4
100	80.5	93.4
115	88	100.9
125	100.5	113.4

NOTES & SPECIFICATIONS:

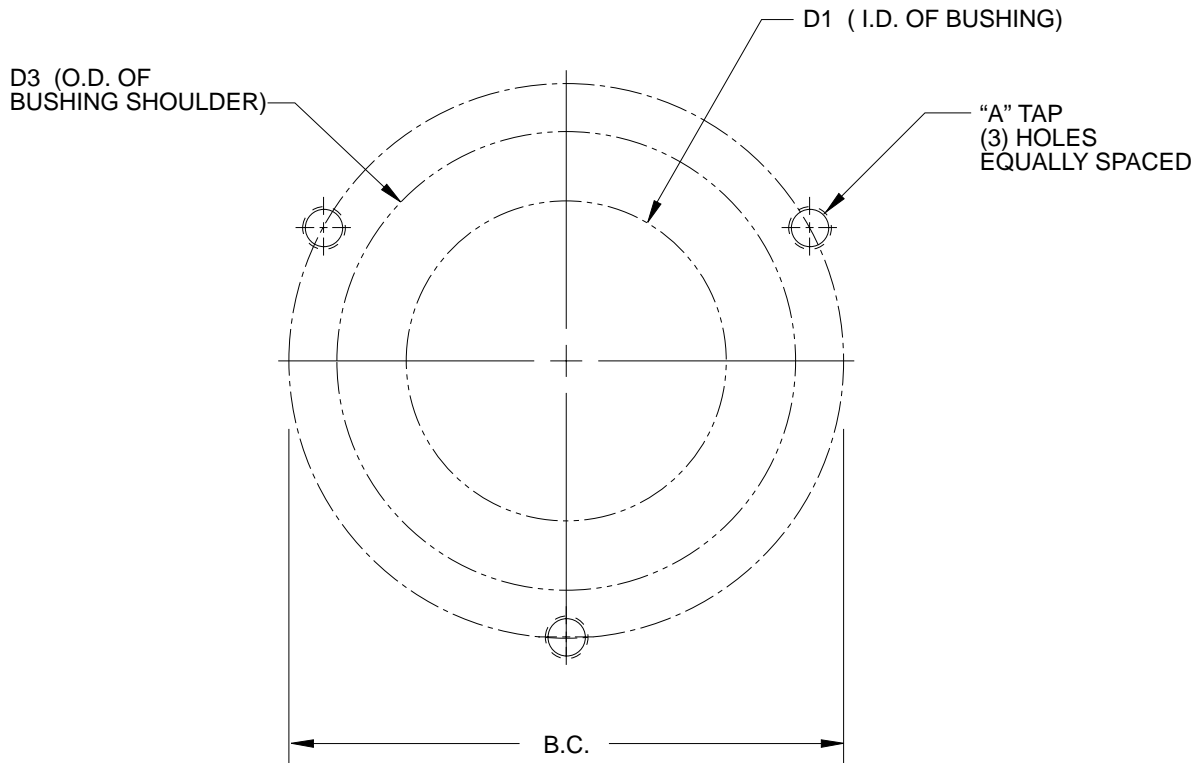
Each clamp must withstand 10,000 newtons pull

B

A

BUSHING CLAMPING PROCEDURES

(G72 and G73 SERIES)



USE WITH CLAMP 720000

"A" = M8 x 1.25

D1	D3	B.C. (D3+18)
32	50	68
40	63	81
50	71	89
63	90	108
80	112	130
100	140	158
115	155	173

USE WITH CLAMP 730000

"A" = M10 x 1.25

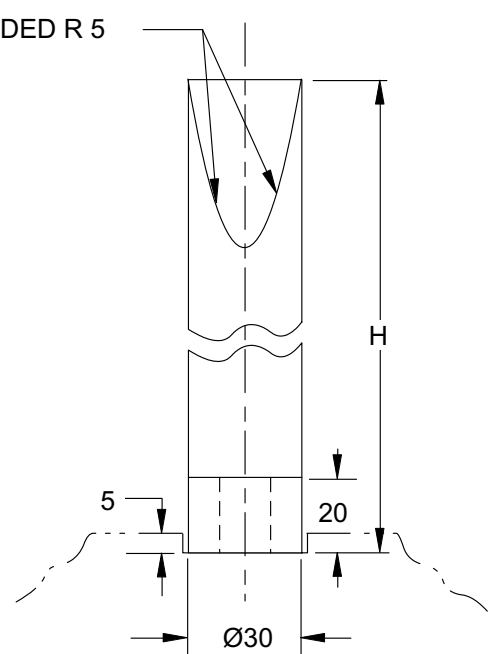
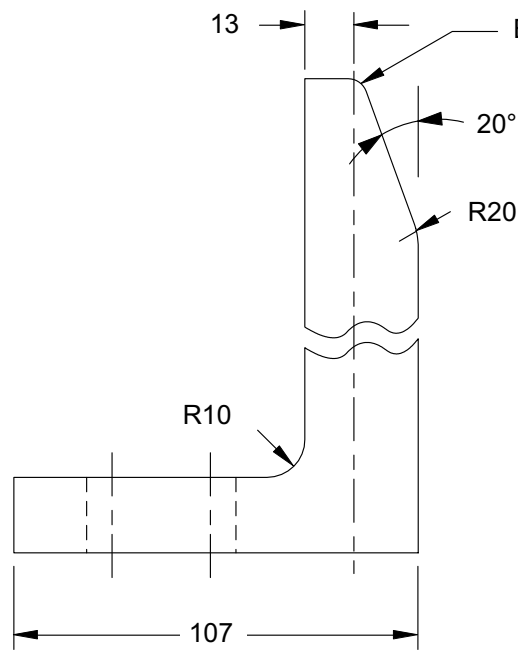
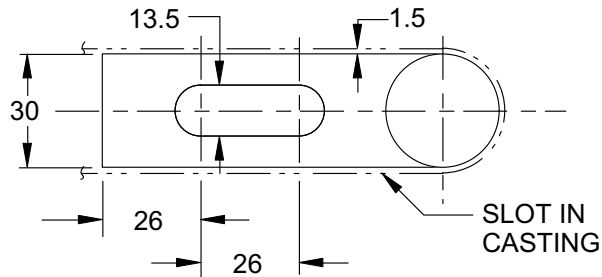
D1	D3	B.C. (D3+21)
32	50	71
40	63	84
50	71	92
63	90	111
80	112	133
100	140	161
115	155	176
125	180	201

NOTES & SPECIFICATIONS:

Bushings will be supplied with (3) toe clamps and (3) screws—M8 or M10 as required.
 Screws must engage 16 mm minimum deep into die shoe
 Each clamp must withstand 10,000 newtons pull.

FINGER GAGE

(G81 SERIES)



Material, steel

NAAMS CODE	H
G813006	65
G813009	90
G813012	120
G813015	150
G813018	180
G813025	250

BALANCING CONES

(G91 SERIES)

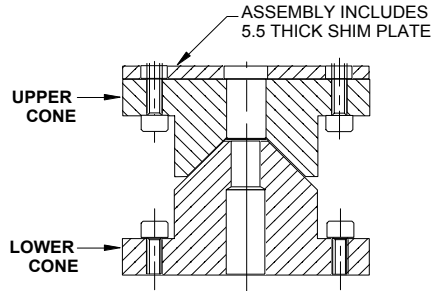
GLOBAL STANDARD COMPONENTS

NAAMS



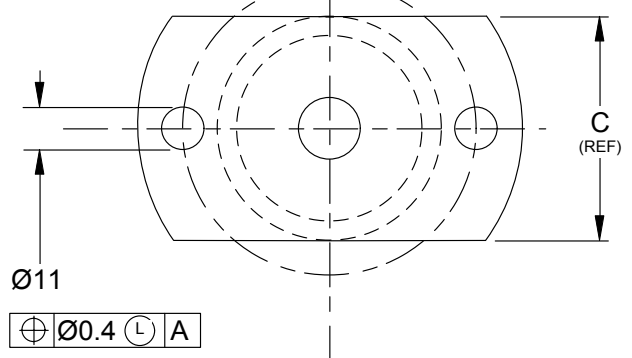
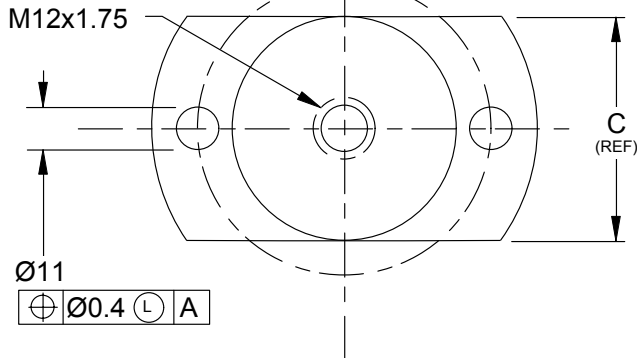
Stamping

09/25/07

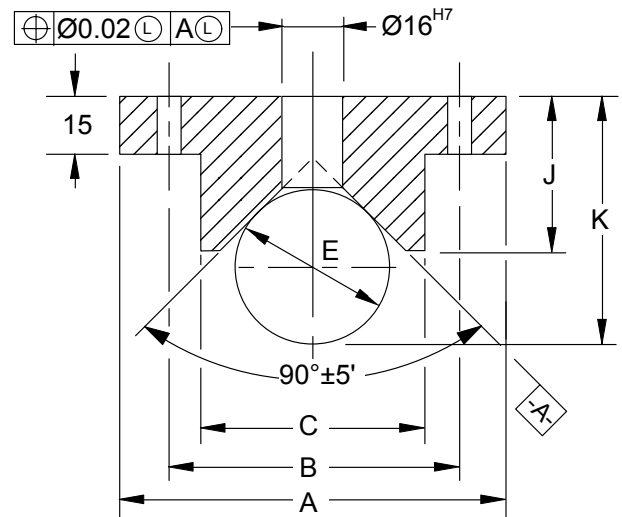
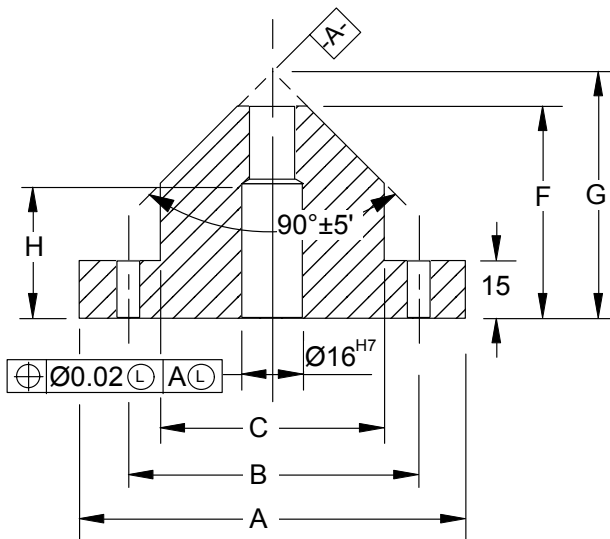


LOWER
CONE

UPPER
CONE



B



CODING ON FOLLOWING PAGE

Material: steel, case harden to Rc 60-64

A

BALANCING CONES

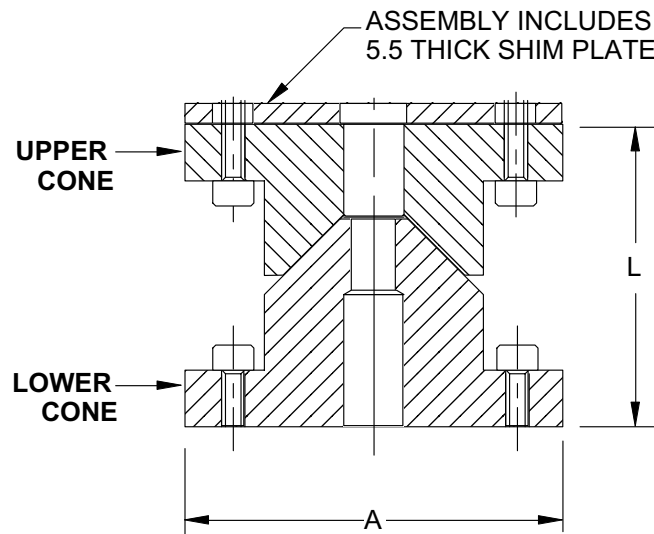
(G91 SERIES)

GLOBAL STANDARD COMPONENTS



Stamping

05/19/00



A	CONE	B	C	E	F	G	H	J	K	L	CONTACT SURFACE
100	LOWER	76	58	--	55	64	35	--	--	80	1555 mm ²
	UPPER			40	--	--	--	40	64.28		
120	LOWER	96	78	--	65	74	45	--	--	90	3377 mm ²
	UPPER			50	--	--	--	50	76.36		

NAAMS CODE*	A	L
G911008	100	80
G911209	120	90

* Assembly consisting of 1 shim plate,
1 upper cone and, 1 lower cone

A

175 mm WIDE U & V BLOCKS

(G34 SERIES)

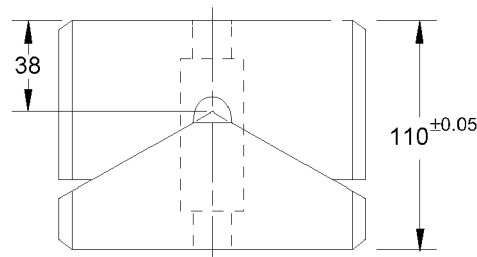
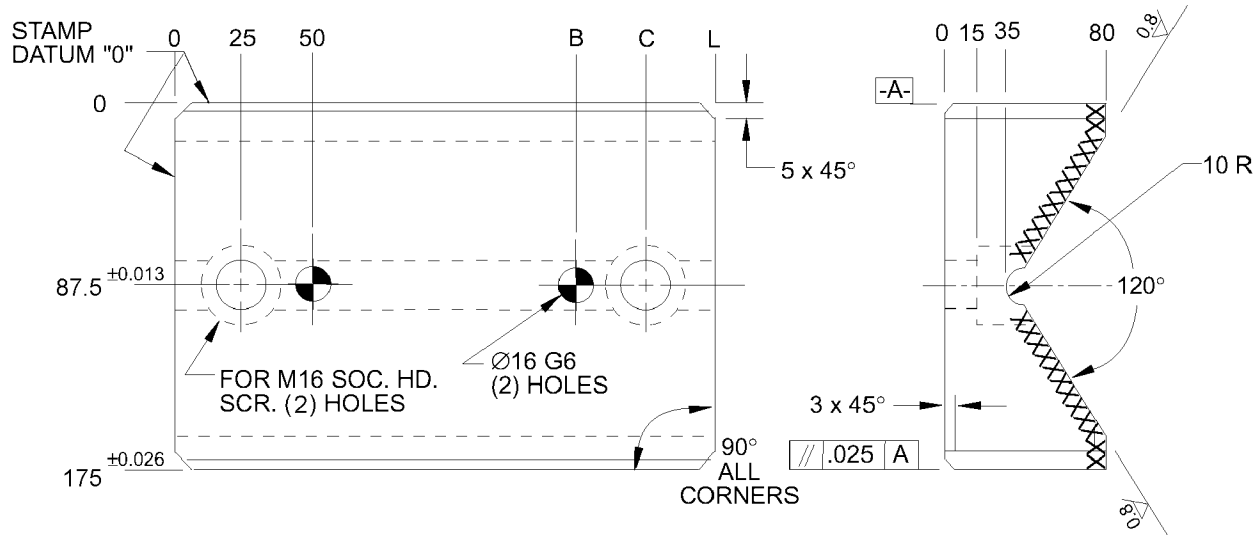
GLOBAL STANDARD COMPONENTS



Stamping

09/29/03

FEMALE "U" BLOCK



"U" & "V" BLOCK ASSEMBLY

FEMALE "U" BLOCK			
NAAMS CODE	L	B	C
G341715	150	100	125
G341720	200	150	175

NOTES & SPECIFICATIONS:

Material, steel

Surface harden cross-hatched areas.

Tolerance between screw holes ± 0.12

Tolerance between dowel holes ± 0.10

1.6 All over except where otherwise stated.

Break all sharp corners.

A

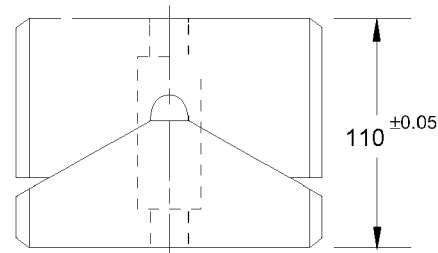
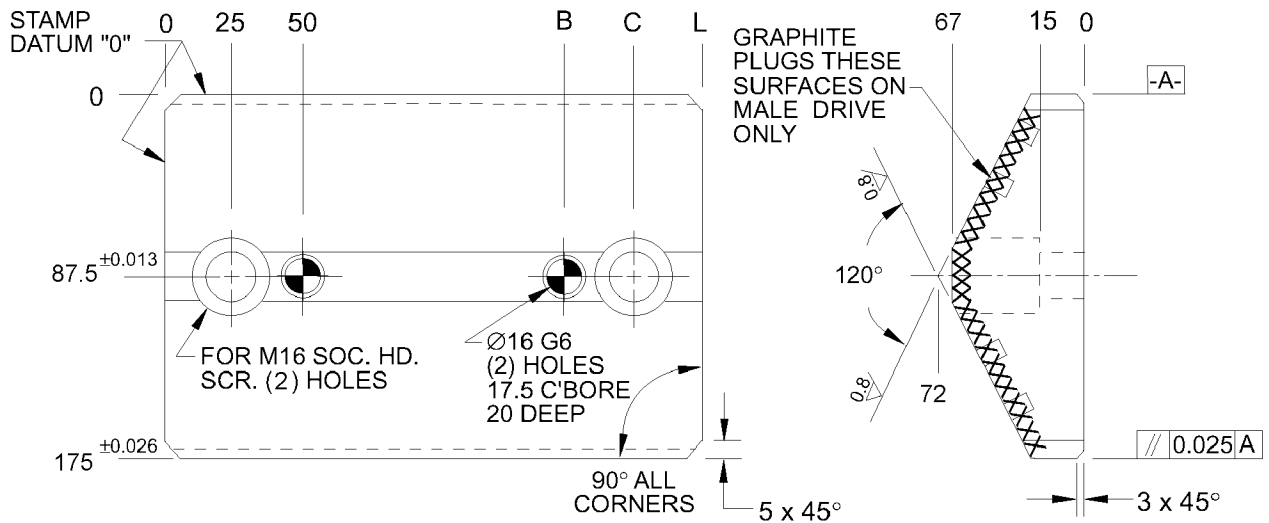
175 mm WIDE U & V BLOCKS

(G35 & G36 SERIES)

Stamping

09/29/03

MALE "V" BLOCK



"U" & "V" BLOCK ASSEMBLY

MALE "V" BLOCK				
NAAMS CODE(X)	NAAMS CODE(Y)	L	B	C
G351715	G361715	150	100	125
G351720	G361720	200	150	175

NOTES & SPECIFICATIONS:

Material, steel or bronze

Use code X for steel

Use code Y for bronze

Surface harden cross-hatched areas on steel.

Tolerance between screw holes ± 0.12

Tolerance between dowel holes ± 0.10

^{1.6} All over except where otherwise stated.

Break all sharp corners

Male "V" driver requires evenly distributed graphite plugs to cover 20–30% of the surface that requires lubrication

A

Blank Page

A

**Data Removed.
Pages Left Blank For Future Use.**

Blank Page

B

A

**Data Removed.
Pages Left Blank For Future Use.**

SEE DRAWING ON PRECEDING PAGE

Blank Page

A

**Data Removed.
Pages Left Blank For Future Use.**

Blank Page

B

**Data Removed.
Pages Left Blank For Future Use.**

A

Blank Page

A

B

**Data Removed.
Pages Left Blank For Future Use.**

Blank Page

A

**Data Removed.
Pages Left Blank For Future Use.**

Blank Page

B

**Data Removed.
Pages Left Blank For Future Use.**

A

Blank Page

**Data Removed.
Pages Left Blank For Future Use.**

Blank Page

**Data Removed.
Pages Left Blank For Future Use.**

BLANK CROWDER

(G56 SERIES)

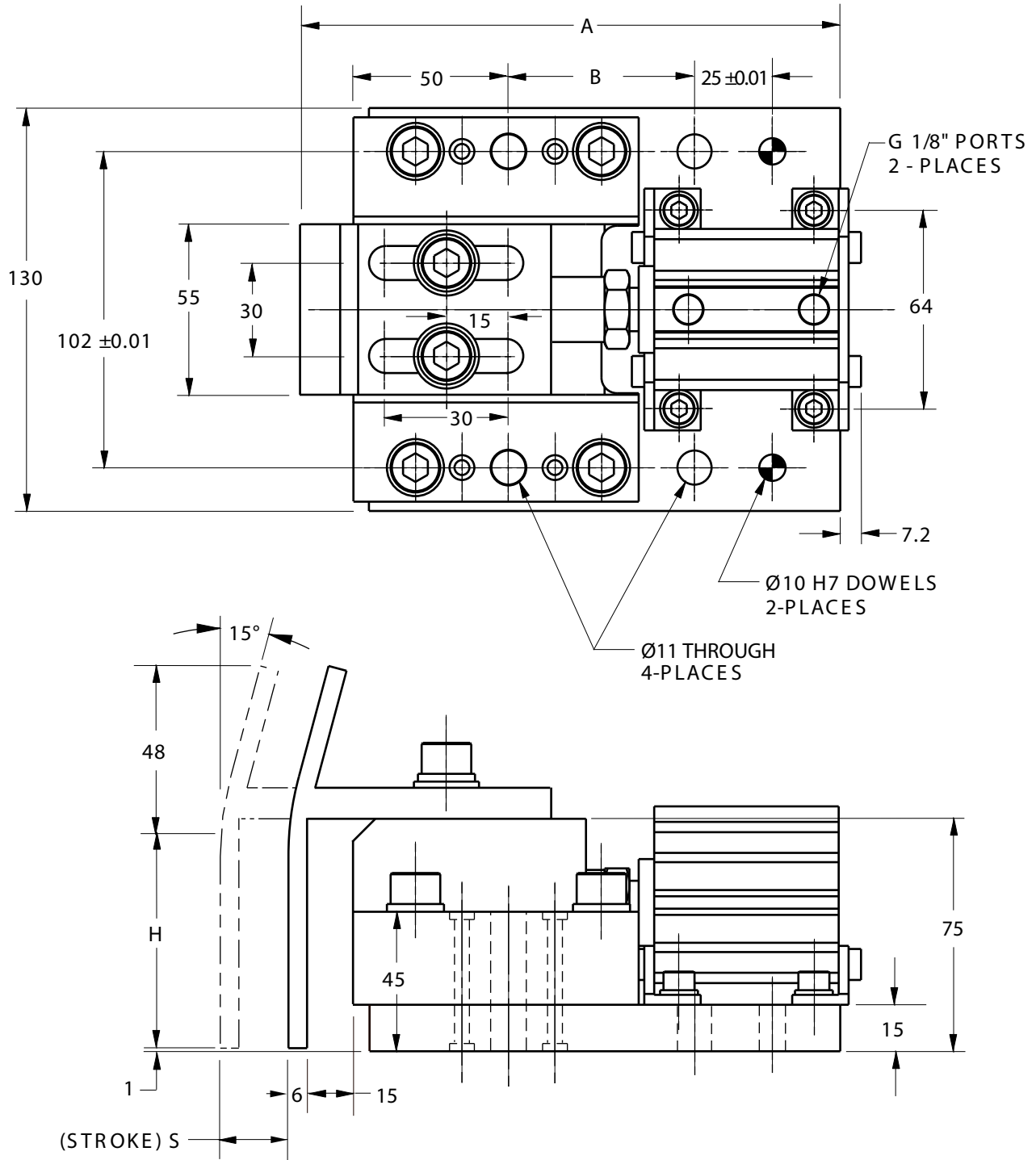
GLOBAL STANDARD COMPONENTS



S tamping

08/01/11

- Air cylinder may be rotated 90° CW or CCW for horizontal ports.



A

A

CODING ON FOLLOWING PAGE

BLANK CROWDER

(G56 SERIES)

GLOBAL STANDARD COMPONENTS



TM

Stamping

08/01/11

NAAMS Code	A	B	H	STROKE S
G5615075	163	55	75	15
G5615100	163	55	100	15
G5615125	163	55	125	15
G5615150	163	55	150	15
G5615175	163	55	175	15
G5615200	163	55	200	15
G5630075	178	60	75	30
G5630100	178	60	100	30
G5630125	178	60	125	30
G5630150	178	60	150	30
G5630175	178	60	175	30
G5630200	178	60	200	30
G5650075	198	80	75	50
G5650100	198	80	100	50
G5650125	198	80	125	50
G5650150	198	80	150	50
G5650175	198	80	175	50
G5650200	198	80	200	50

A

(-)

PAGE LEFT BLANK
FOR FUTURE USE

(-)

PAGE LEFT BLANK
FOR FUTURE USE

TRIM TAB PILOT GAGE

(G95 SERIES)

GLOBAL STANDARD COMPONENTS

NAAMS



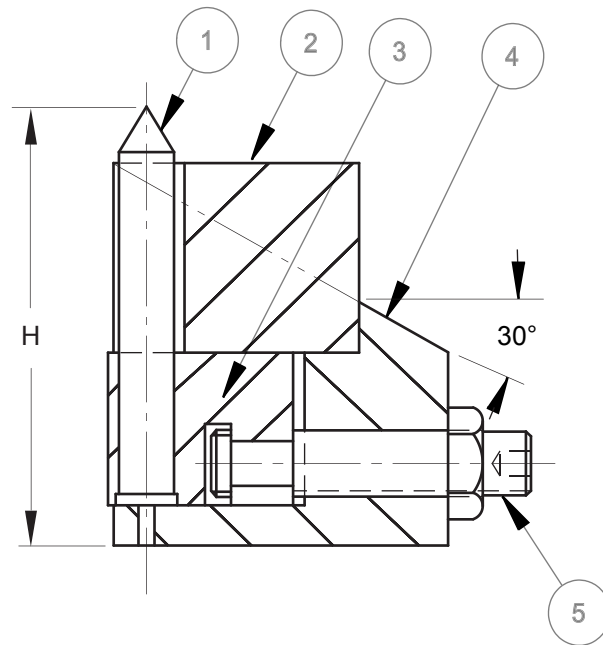
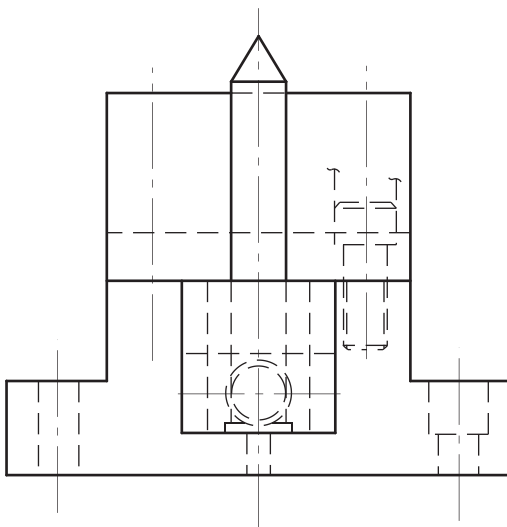
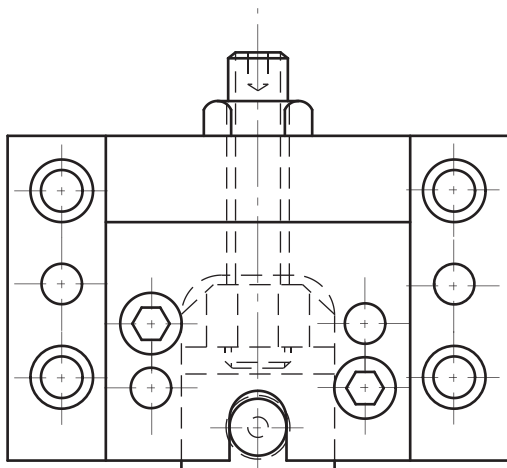
Stamping

08/01/11

MATERIAL : SEE EACH DETAIL FOR MATERIAL

DETAIL	DESCRIPTION
1	PILOT PIN GAGE
2	TRIM BLADE
3	GAGE BLOCK
4	PILOT GAGE BASE
5	GAGE BLOCK ADJUSTMENT SCREW

NAAMS CODE	"H" PIN HEIGHT	PIN DIAMETER	TRIM BLADE STEEL
G95150A	136	12.75	YES
G95300B	286	12.75	YES
G95150C	136	12.75	NO
G95300D	286	12.75	NO
G95150E	NO PIN	12.75	YES
G95300F	NO PIN	—	NO
G95150G	136	15.75	YES
G95300H	286	15.75	YES
G95150J	136	15.75	NO
G95150K	NO PIN	15.75	YES
G95300L	286	15.75	NO
G95150M	136	19.75	YES
G95300N	286	19.75	YES
G95150P	136	19.75	NO
G95300R	286	19.75	NO
G95150S	NO PIN	19.75	YES



CONTINUED ON FOLLOWING PAGES

TRIM TAB PILOT GAGE

(G95 SERIES)

GLOBAL STANDARD COMPONENTS

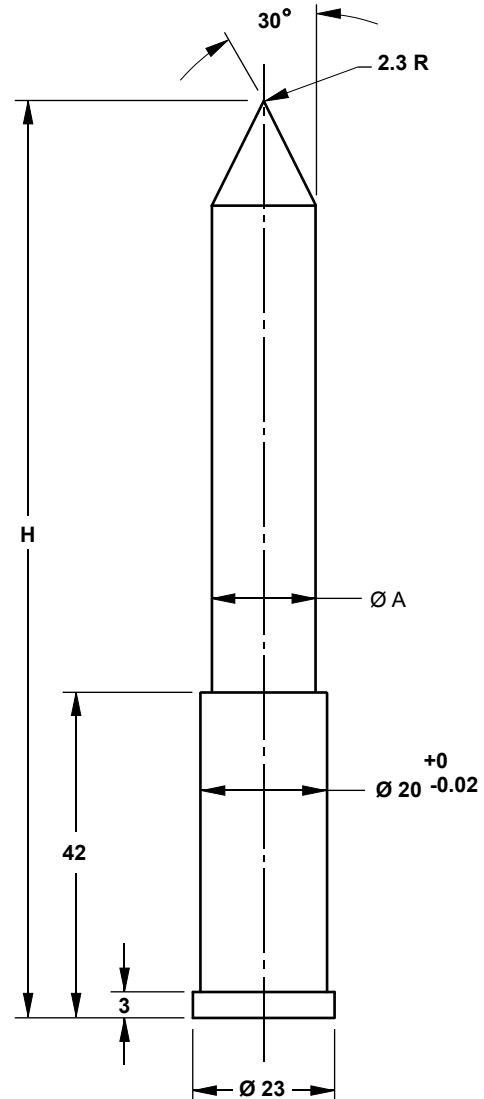
NAAMS



Stamping

08/01/11

MATERIAL : ISO 4957 - 50CrMoV15-1
HARDEN Rc 56-58 DOUBLE TAMPER



NAAMS CODE	Ø A	H
G9513136	12.75	136
G9513286	12.75	286
G9516136	15.75	136
G9516286	15.75	286
G9520136	19.75	136
G9520286	19.75	286

1 PILOT PIN GAGE

TRIM TAB PILOT GAGE

(G95 SERIES)

GLOBAL STANDARD COMPONENTS

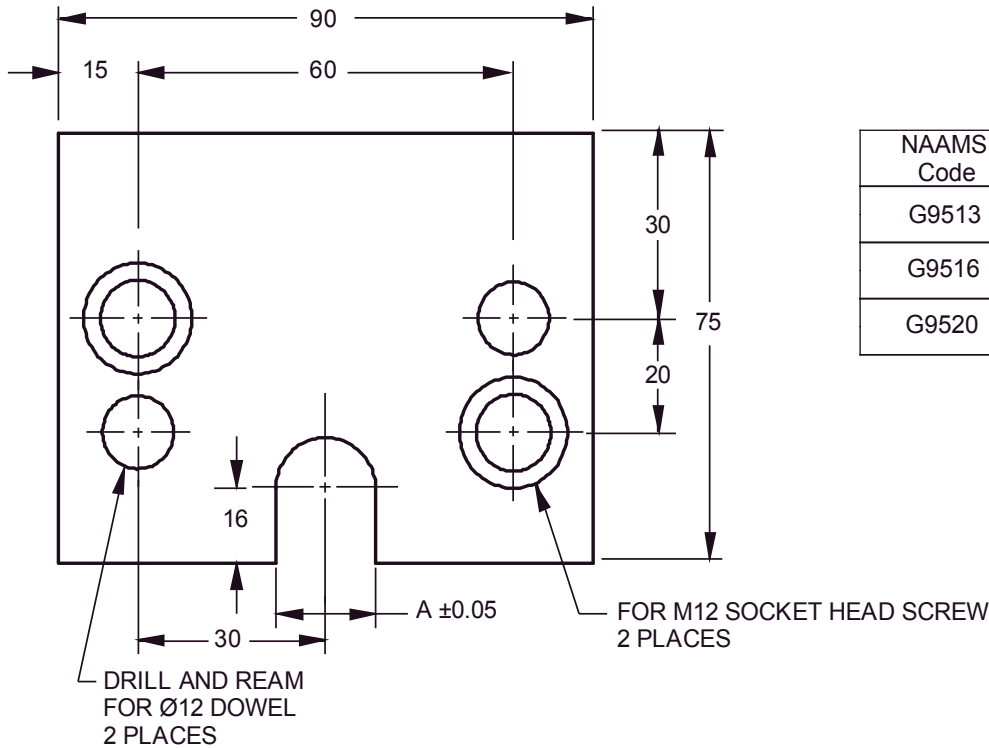
NAAMS



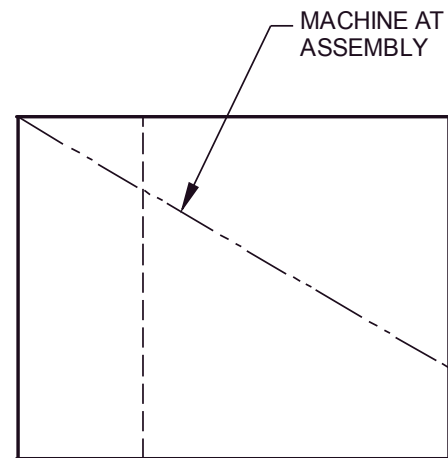
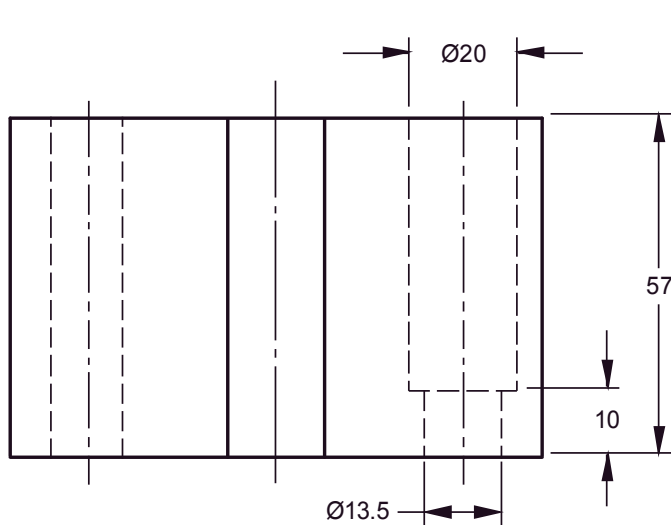
Stamping

08/01/11

MATERIAL : ISO 4957 - 50CrMoV15-1 LEFT SOFT FINISH ASSEMBLY



NAAMS Code	Dim. A	Pilot Required
G9513	13.0	9513136
		9513286
G9516	16.0	9516136
		9516286
G9520	20.0	9520136
		9520286



2 TRIM BLADE

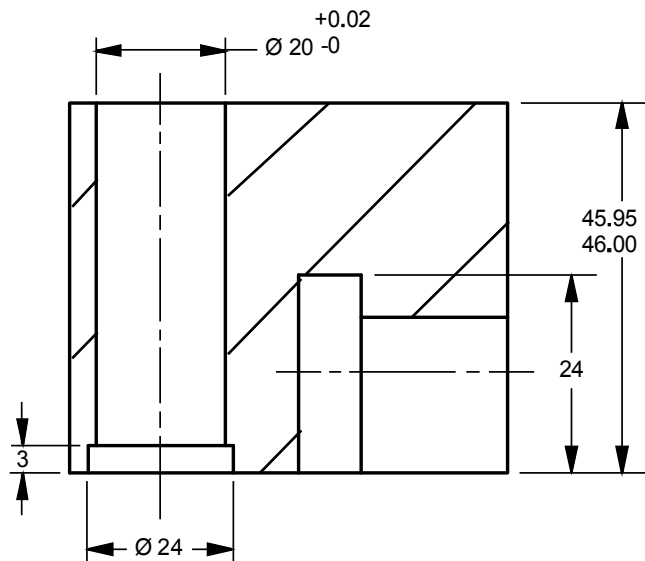
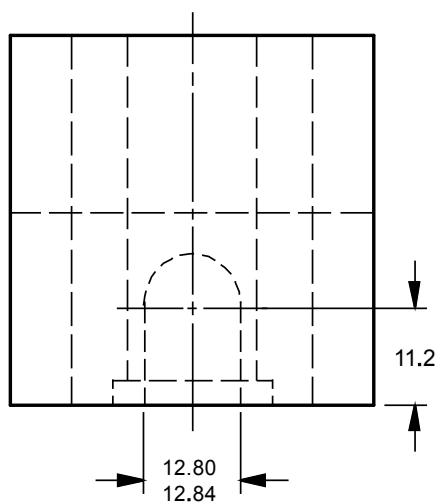
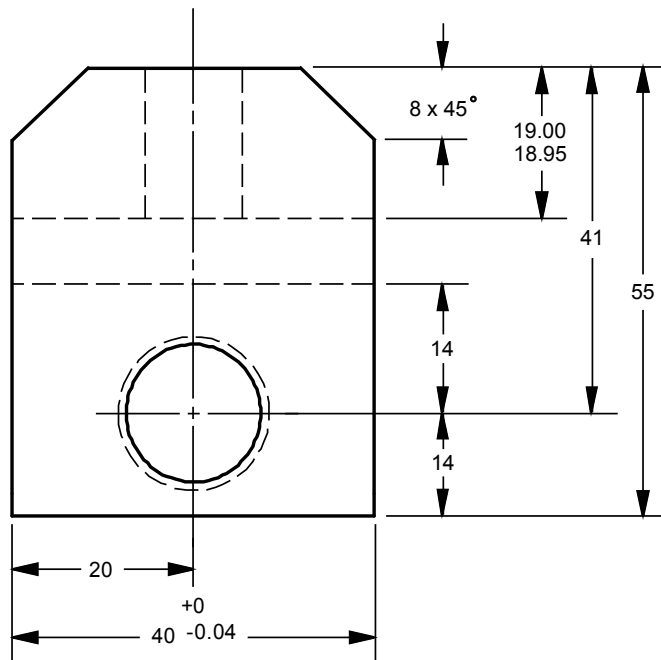
TRIM TAB PILOT GAGE

(G95 SERIES)

Stamping

08/01/11

MATERIAL : ISO 683/18 - C20



3 GAGE BLOCK

TRIM TAB PILOT GAGE

(G95 SERIES)

GLOBAL STANDARD COMPONENTS

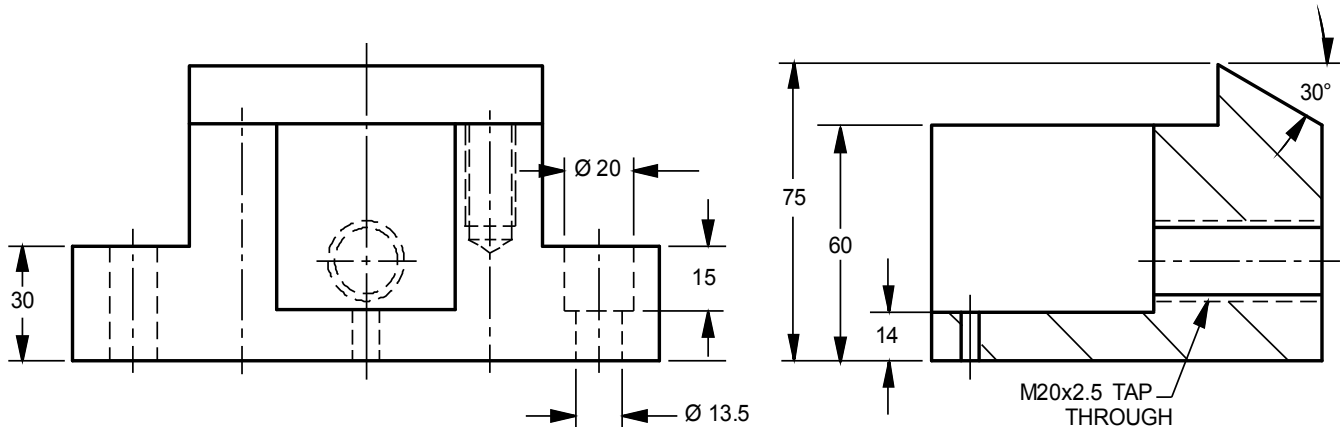
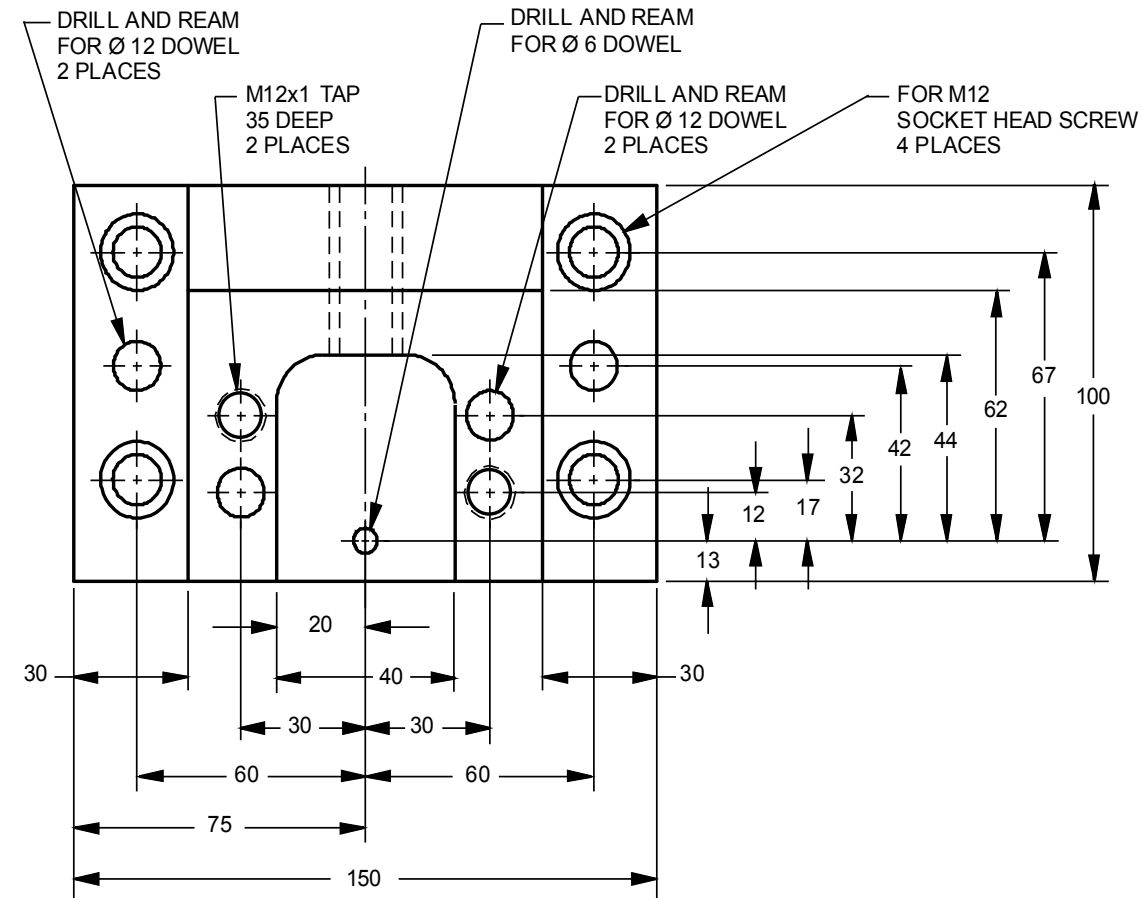
NAAMS



Stamping

08/01/11

MATERIAL : ISO 683/18 - C20



4 PILOT GAGE BASE

TRIM TAB PILOT GAGE

(G95 SERIES)

GLOBAL STANDARD COMPONENTS

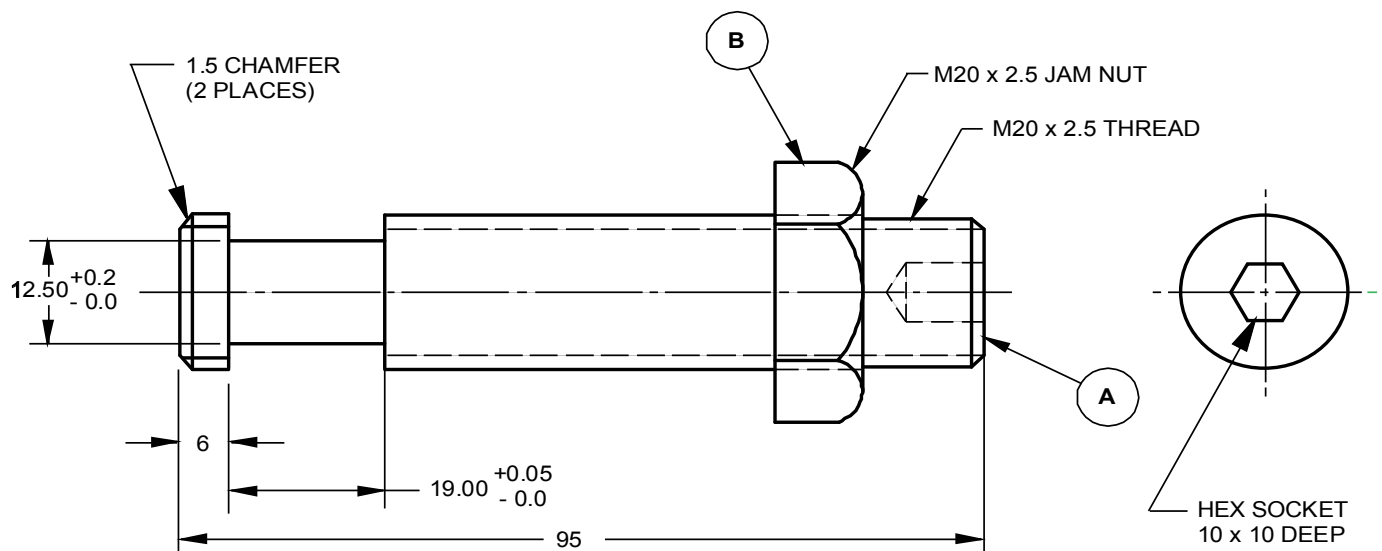
TM **NAAMS**



Stamping

08/01/11

MATERIAL : A. ISO 683/18 - C18 - B7 THREADED ROD -OR- ISO 848-1 (min)
B. ISO 683/18 - C20



5

GAGE BLOCK ADJUSTMENT SCREW

200MM ADJUSTABLE BLANK GAGE WITH BAR SENSOR G96 SERIES

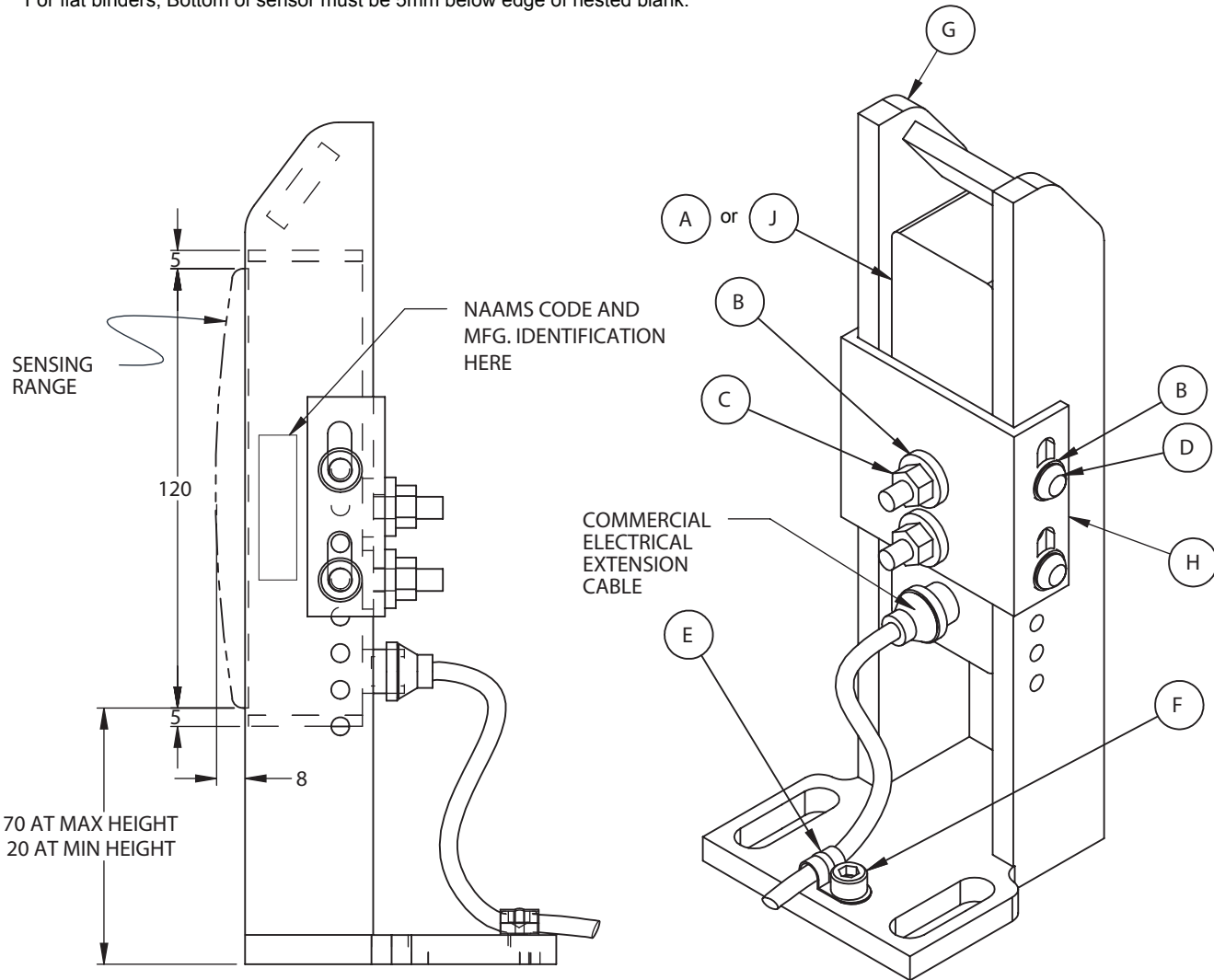
GLOBAL STANDARD COMPONENTS



Stamping

12/19/12

Adjustable 200mm blank gage with 130mm bar sensor.
 Mark with NAAMS code in 6mm high letters as shown, and manufacturers identification.
 Install with M10 x 30 long socket head cap screws, M10 flat washers and lock washer. (Not supplied.)
 Tack weld washers to base after final adjustment.
 For flat binders, Bottom of sensor must be 5mm below edge of nested blank.



NAAMS Code - G960001 - 24VDC Sensor
 NAAMS Code - G960002 - 120VAC Sensor

ITEM I.D.	NAAMS CODE		DESCRIPTION OF ADJUSTABLE BLANK GAGE WITH BAR SENSOR KIT
	G960001	G960002	
A	1	-	BAR SENSOR - 24VDC TURCK #BI20-CK40130-VP4X2-H1141/S1009 OR EQUIVALENT
B	8	8	M6 FLATWASHER
C	2	2	M6 x 0.8 LOCKNUT WITH NYLON INSERT
D	4	4	M6 x 0.8 x 12 BUTTON HEAD CAP SCREW (BLUE)
E	1	1	GENERIC M6 NYLON TUBING CLIP
F	1	1	M6 x 0.8 x 8 LONG SOCKET HEAD CAP SCREW
G	1	1	GAGE RISER BRACKET
H	1	1	SENSOR MOUNT BRACKET
J	-	1	BAR SENSOR - 120VAC TURCK #BI20-CK40130-ADZ30X2-B1131/S1009 OR EQUIVALENT

200MM ADJUSTABLE BLANK GAGE WITH BAR SENSOR G96 SERIES

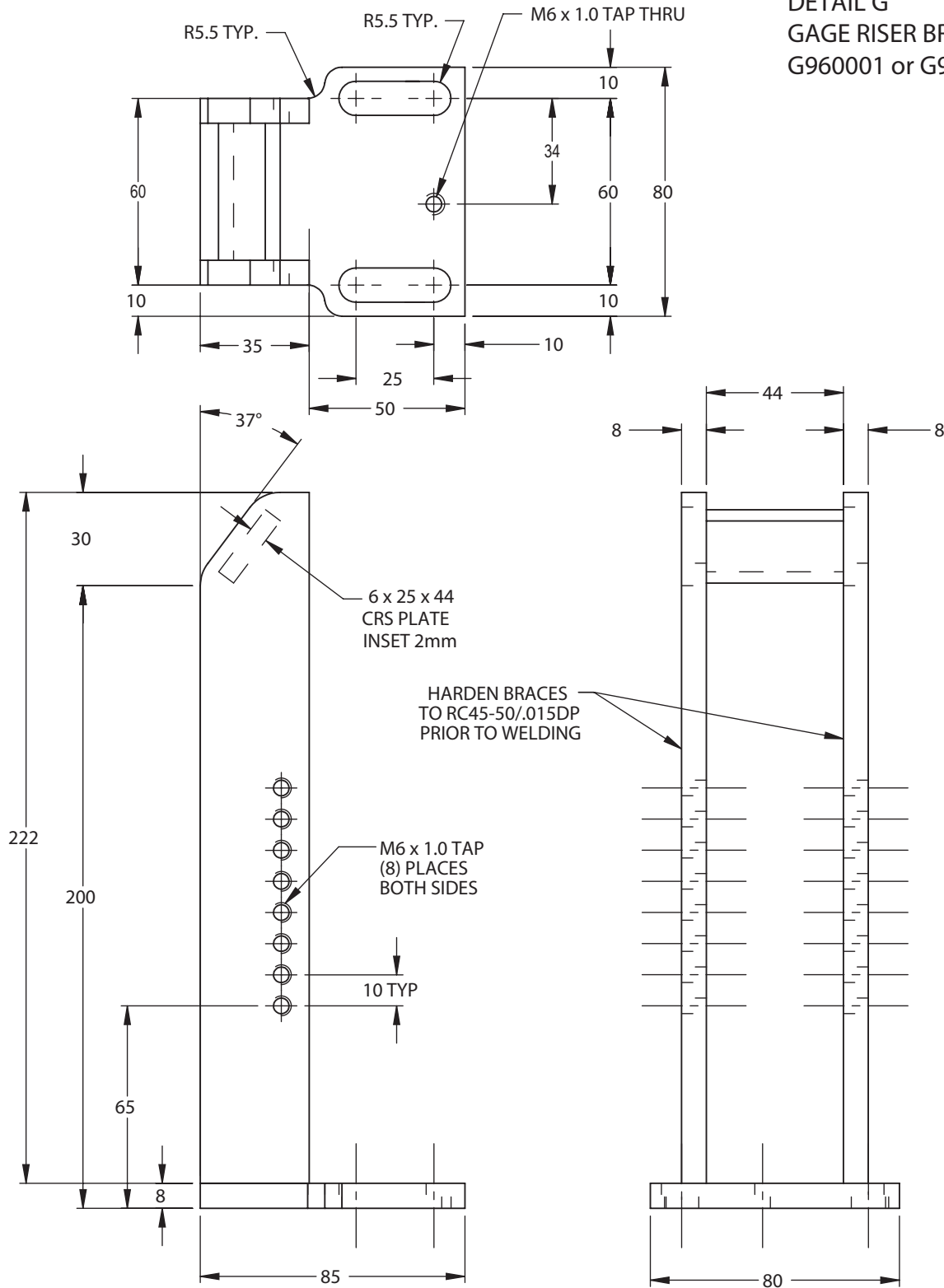
GLOBAL STANDARD COMPONENTS



Stamping

12/19/12

DETAIL G GAGE RISER BRACKET G960001 or G960002



MATERIAL: ISO 683/18 - C20 (BLACK OXIDE FINISH)

200MM ADJUSTABLE BLANK GAGE WITH BAR SENSOR G96 SERIES

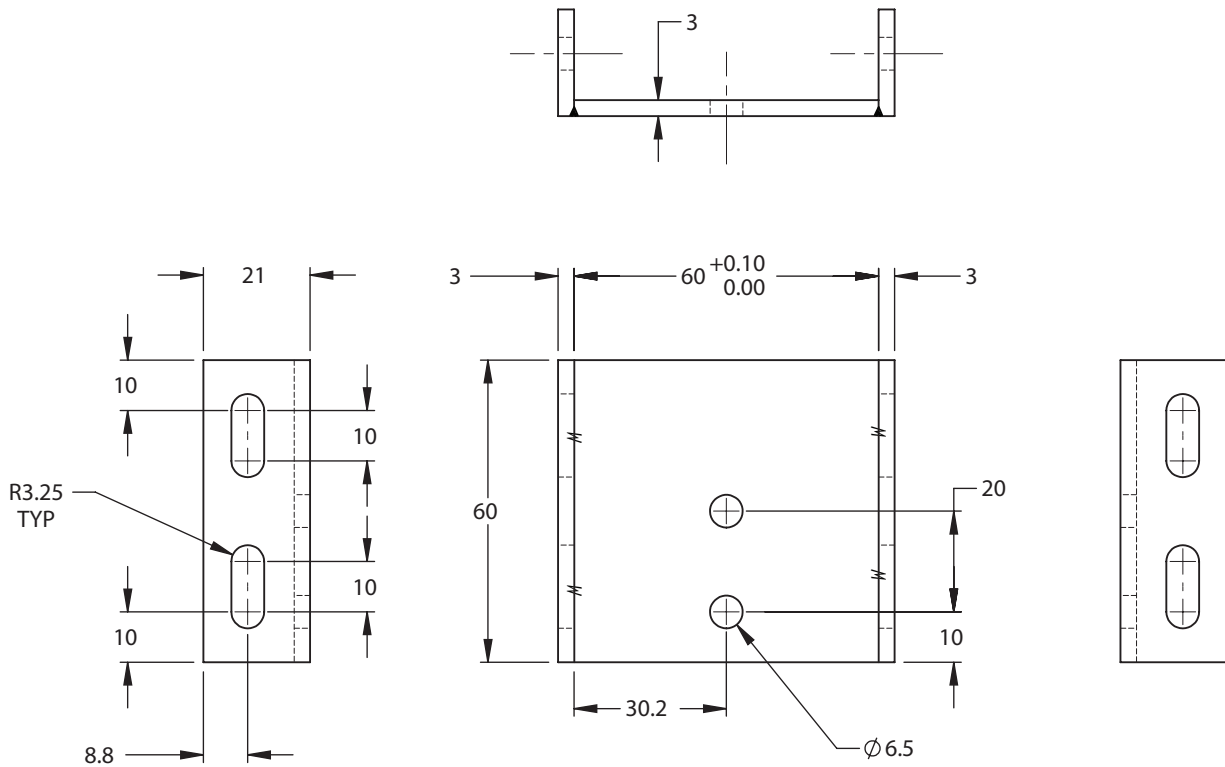
GLOBAL STANDARD COMPONENTS



Stamping

12/19/12

DETAIL H
SENSOR MOUNT BRACKET
G960001 or G960002



Material: ISO 683/18 - C20 (Black Oxide Finish)