

ROUGH LOCATORS COMPONENTS INDEX

PAGE	DATE	NAAMS CODE	DESCRIPTION
M-1	09/01/11		Rough Locators Components Index
M-2	09/01/11	ARL145 – ARL320	Rough Locators
M-3	09/01/11	ARL075L – ARL250L	Rough Locators
M-4	09/01/11	ARL075R – ARL250R	Rough Locators
M-5	07/27/07	ARL145P – ARL320P	Rough Locators
M-6	07/27/07	ARL075LP – ARL250LP	Rough Locators
M-7	07/27/07	ARL075RP – ARL250RP	Rough Locators
M-8	09/01/11	ARL146 – ARL321	Rough Locators
M-9	09/01/11	ARL076L – ARL251L	Rough Locators
M-10	09/01/11	ARL076R – ARL251R	Rough Locators

ROUGH LOCATORS

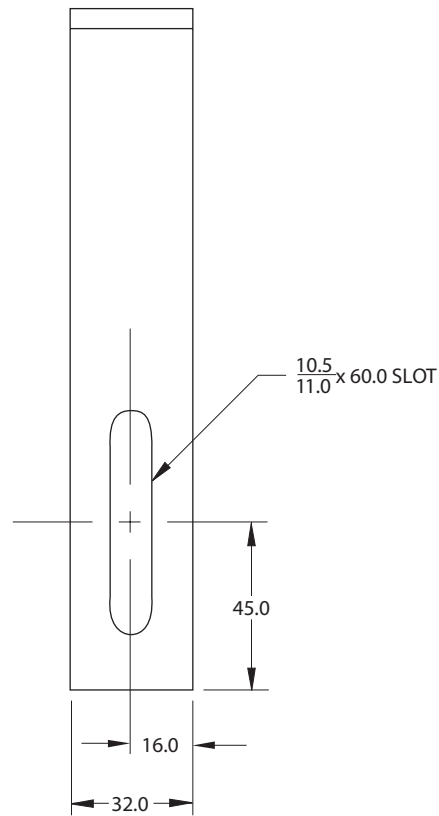
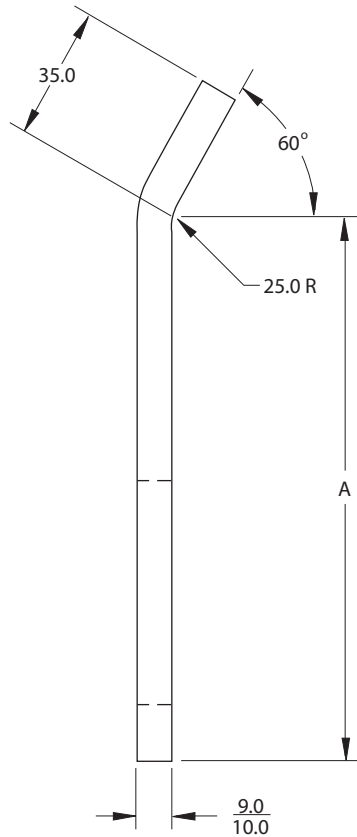
EXCEPT AS NOTED TOLERANCES SHALL BE:

1 PLACE FABRICATION ± 1.5

1 PLACE MACHINING ± 0.3

MATERIAL: STEEL ASTM A-36

SEE PAGE B-1.1 FOR GLOBAL MATERIALS CHART



NAAMS Codes with suffix H
 carburize and harden
 58-62 Rc, 1.0-1.5mm deep

NAAMS CODE	DIM "A"	Wt. kg
ARL145 ARL145H	145.0	0.38
ARL170 ARL170H	170.0	0.44
ARL195 ARL195H	195.0	0.49
ARL220 ARL220H	220.0	0.55
ARL245 ARL245H	245.0	0.61
ARL270 ARL270H	270.0	0.67
ARL298 ARL298H	295.0	0.73
ARL320 ARL320H	320.0	0.79

C

A

D

B

ROUGH LOCATORS

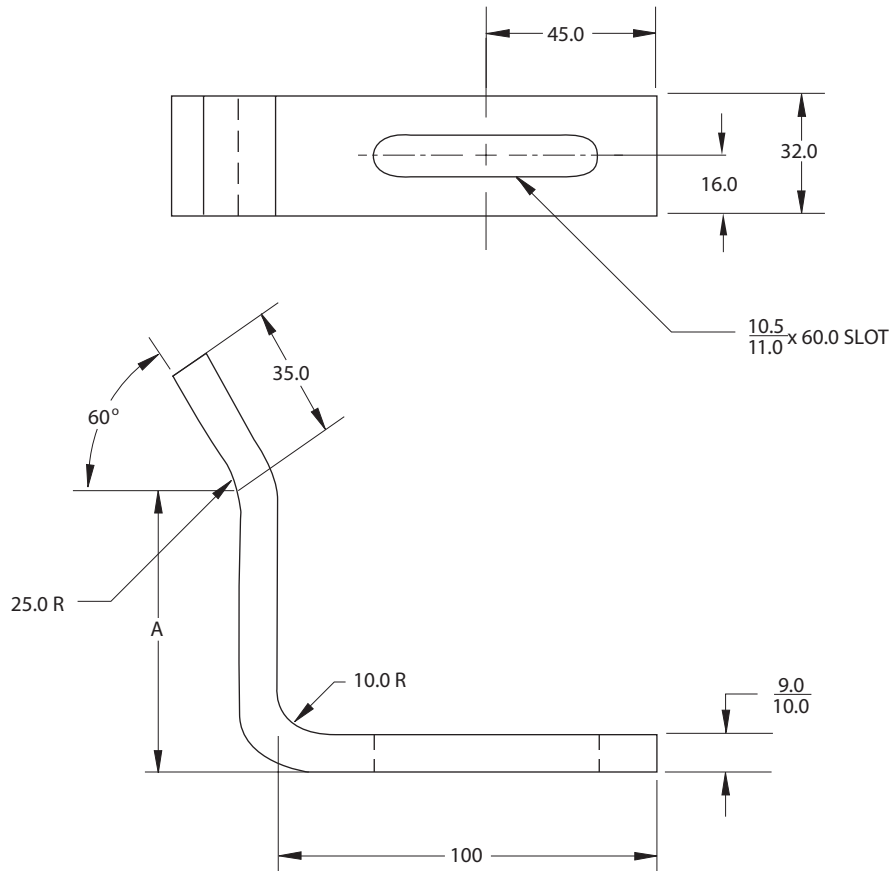
EXCEPT AS NOTED TOLERANCES SHALL BE:

1 PLACE FABRICATION ± 1.5

1 PLACE MACHINING ± 0.3

MATERIAL: STEEL ASTM A-36

SEE PAGE B-1.1 FOR GLOBAL MATERIALS CHART



NAAMS Codes with suffix H
 carburize and harden
 58-62 Rc, 1.0-1.5mm deep

NAAMS CODE		DIM "A"	Wt. kg
ARL075L	ARL075LH	75.0	0.45
ARL100L	ARL100LH	100.0	0.51
ARL125L	ARL125LH	125.0	0.57
ARL150L	ARL150LH	150.0	0.62
ARL175L	ARL175LH	175.0	0.68
ARL200L	ARL200LH	200.0	0.74
ARL225L	ARL225LH	225.0	0.80
ARL250L	ARL250LH	250.0	0.86

C

D

A

D

B

ROUGH LOCATORS

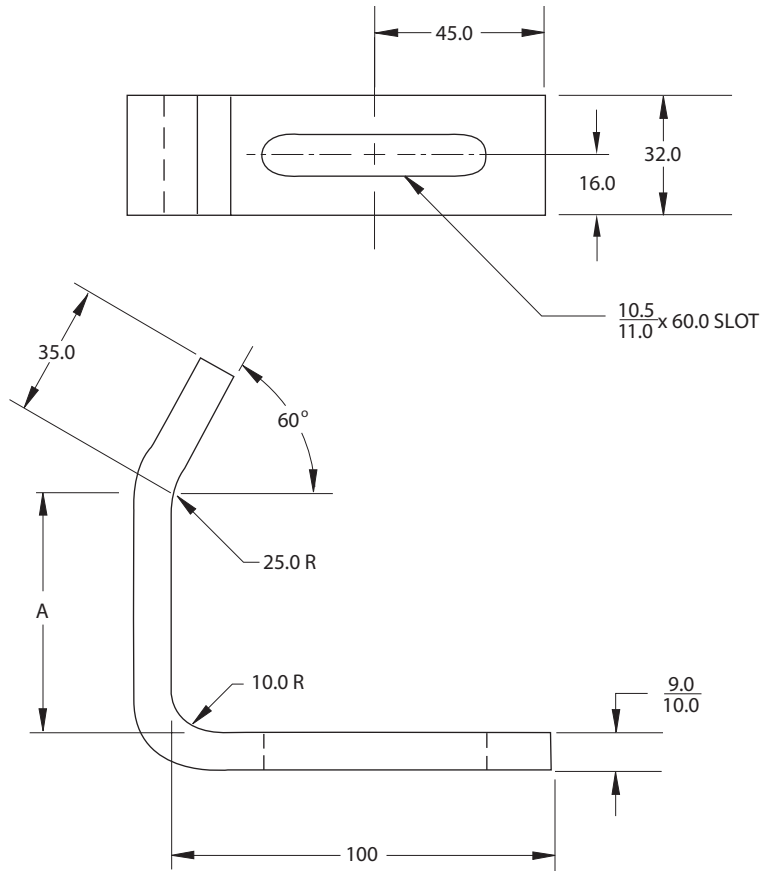
EXCEPT AS NOTED TOLERANCES SHALL BE:

1 PLACE FABRICATION ± 1.5

1 PLACE MACHINING ± 0.3

MATERIAL: STEEL ASTM A-36

SEE PAGE B-1.1 FOR GLOBAL MATERIALS CHART



NAAMS Codes with suffix H
 carburize and harden
 58-62 Rc, 1.0-1.5mm deep

NAAMS CODE	DIM "A"	Wt. kg
ARL075R ARL075RH	65.0	0.42
ARL100R ARL100RH	90.0	0.48
ARL125R ARL125RH	115.0	0.54
ARL150R ARL150RH	140.0	0.60
ARL175R ARL175RH	165.0	0.66
ARL200R ARL200RH	190.0	0.72
ARL225R ARL225RH	215.0	0.78
ARL250R ARL250RH	240.0	0.84

ROUGH LOCATORS

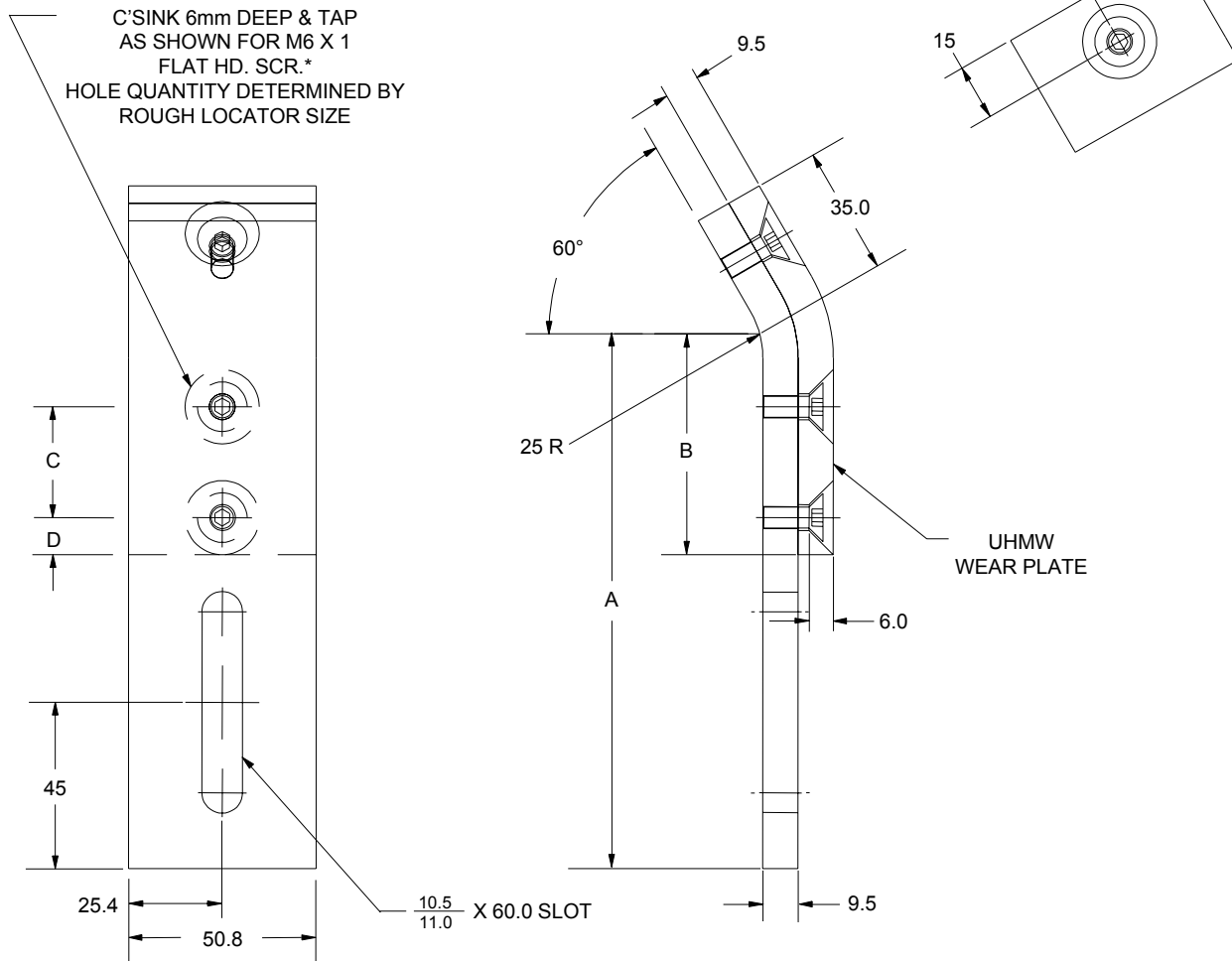
EXCEPT AS NOTED TOLERANCES SHALL BE:

1 PLACE FABRICATION ± 1.5

1 PLACE MACHINING ± 0.3

MATERIAL: STEEL ASTM A-36 (BLACK OXIDE)
 UHMW (PLASTIC)

SEE PAGE B-1.1 FOR GLOBAL MATERIALS CHART



C

* INSTALL SNUG FIT + 1/4 TURN PER FASTENER INSTALLATION AND TORQUING PROCEDURE, SECTION F.
 COAT THREADS WITH ANAEROBIC ADHESIVE AND MARK HEAD WITH PAINT TO VERIFY COMPLIANCE.

NAAMS CODE	A	B	C	D	WT. kg
ARL145P	145.0	55.0	N/A	25.0	0.67
ARL170P	170.0	55.0	N/A	25.0	0.76
ARL195P	195.0	100.0	70.0	15.0	0.88
ARL220P	220.0	100.0	70.0	15.0	0.97
ARL245P	245.0	100.0	70.0	15.0	1.1
ARL270P	270.0	100.0	70.0	15.0	1.2
ARL295P	295.0	100.0	70.0	15.0	1.3
ARL320P	320.0	100.0	70.0	15.0	1.3

B

A

ROUGH LOCATORS

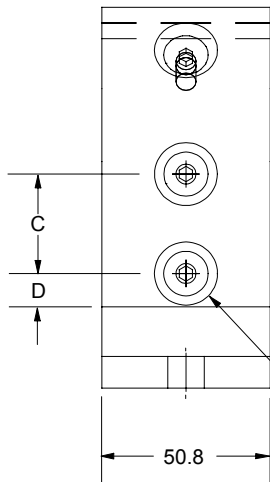
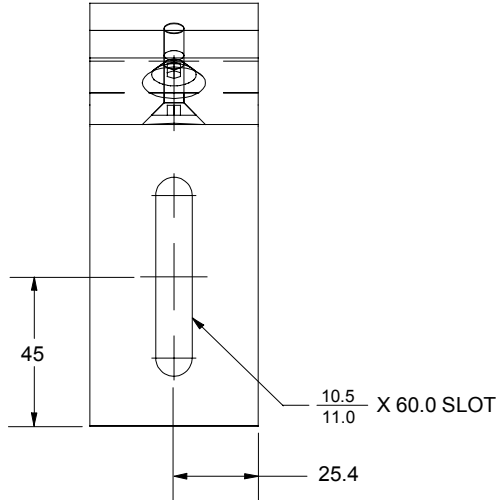
EXCEPT AS NOTED TOLERANCES SHALL BE:

1 PLACE FABRICATION ± 1.5

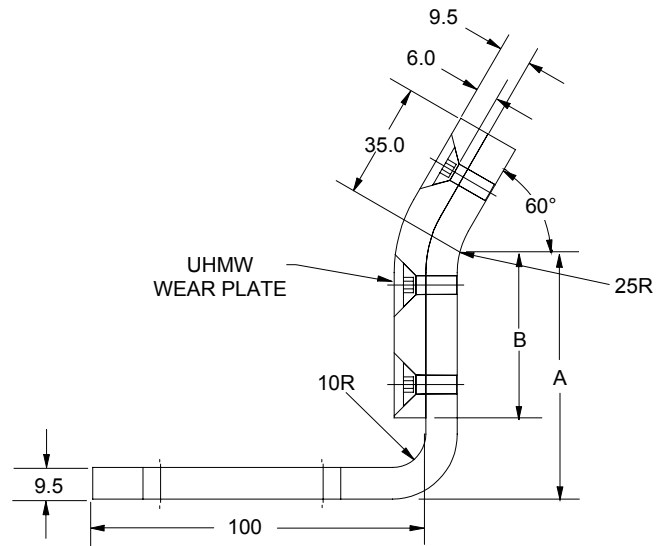
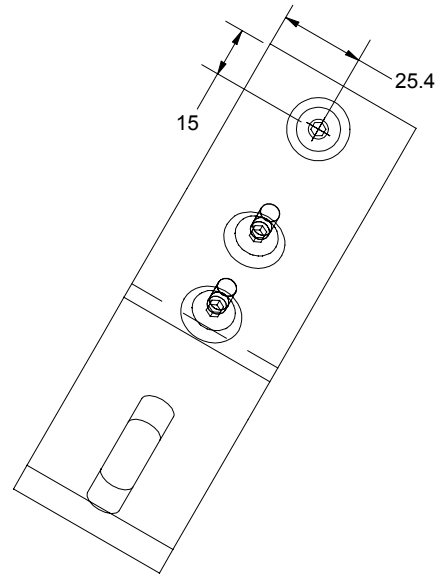
1 PLACE MACHINING ± 0.3

MATERIAL: STEEL ASTM A-36 (BLACK OXIDE)
 UHMW (PLASTIC)

SEE PAGE B-1.1 FOR GLOBAL MATERIALS CHART



C'SINK 6mm DEEP & TAP AS SHOWN FOR M6 X 1 FLAT HD. SCR.
 HOLE QUANTITY DETERMINED BY ROUGH LOCATOR SIZE
 INSTALL SNUG FIT + 1/4 TURN PER FASTENER INSTALLATION AND TORQUING PROCEDURE, SECTION F.
 COAT THREADS WITH ANAEROBIC ADHESIVE AND MARK HEAD WITH PAINT TO VERIFY COMPLIANCE.



NAAMS CODE	A	B	C	D	WT. kg
ARL075LP	75.0	55.0	N/A	25.0	0.78
ARL100LP	100.0	55.0	N/A	25.0	0.87
ARL125LP	125.0	55.0	N/A	25.0	0.97
ARL150LP	150.0	55.0	N/A	25.0	1.1
ARL175LP	175.0	100.0	70.0	15.0	1.2
ARL200LP	200.0	100.0	70.0	15.0	1.3
ARL225LP	225.0	100.0	70.0	15.0	1.4
ARL250LP	250.0	100.0	70.0	15.0	1.5

C

B

A

ROUGH LOCATORS

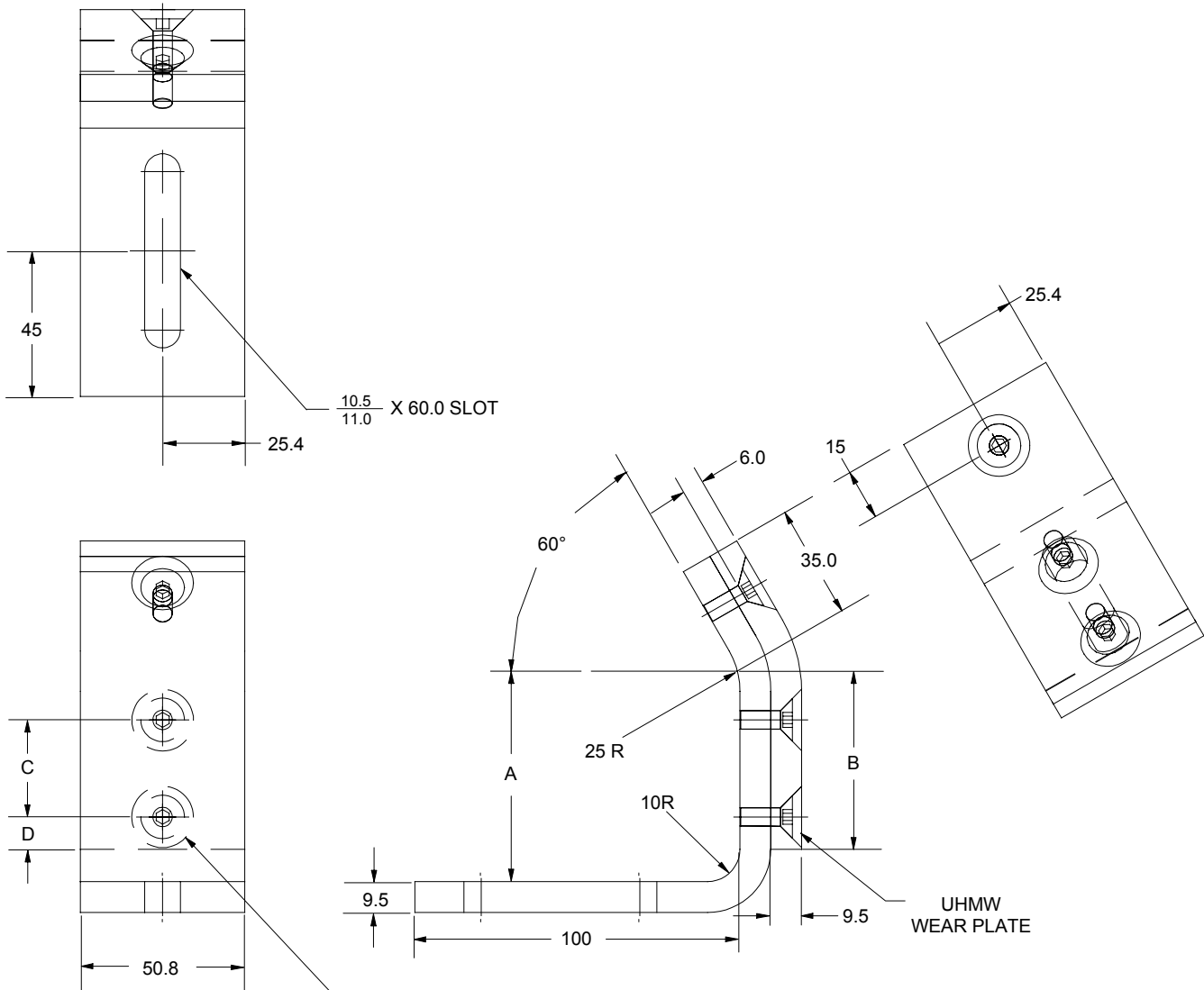
EXCEPT AS NOTED TOLERANCES SHALL BE:

1 PLACE FABRICATION ± 1.5

1 PLACE MACHINING ± 0.3

MATERIAL: STEEL ASTM A-36 (BLACK OXIDE)
 UHMW (PLASTIC)

SEE PAGE B-1.1 FOR GLOBAL MATERIALS CHART



C'SINK 6mm DEEP & TAP AS SHOWN FOR M6 X 1 FLAT HD. SCR.
 HOLE QUANTITY DETERMINED BY ROUGH LOCATOR SIZE
 INSTALL SNUG FIT + 1/4 TURN PER FASTENER INSTALLATION AND TORQUING PROCEDURE, SECTION F.
 COAT THREADS WITH ANAEROBIC ADHESIVE AND MARK HEAD WITH PAINT TO VERIFY COMPLIANCE.

NAAMS CODE	A	B	C	D	WT. kg
ARL075RP	65.0	55.0	N/A	25.0	0.74
ARL100RP	90.0	55.0	N/A	25.0	0.83
ARL125RP	115.0	55.0	N/A	25.0	0.93
ARL150RP	140.0	55.0	N/A	25.0	1.0
ARL175RP	165.0	100.0	70.0	15.0	1.1
ARL200RP	190.0	100.0	70.0	15.0	1.2
ARL225RP	215.0	100.0	70.0	15.0	1.3
ARL250RP	240.0	100.0	70.0	15.0	1.4

C

B

A

ROUGH LOCATORS

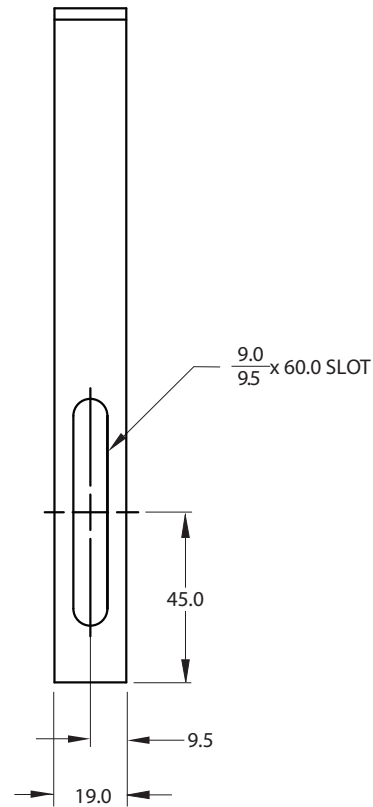
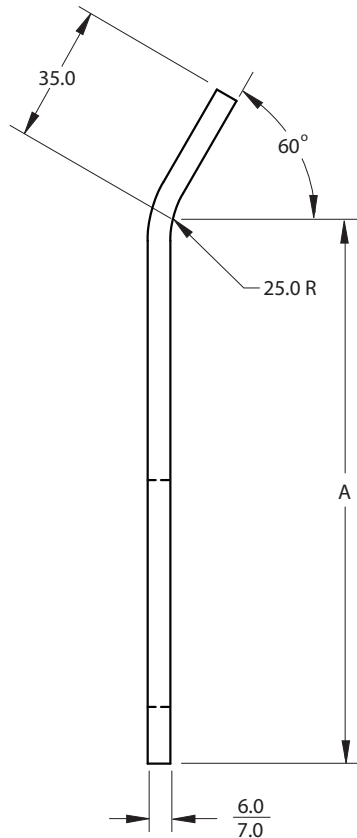
EXCEPT AS NOTED TOLERANCES SHALL BE:

1 PLACE FABRICATION ± 1.5

1 PLACE MACHINING ± 0.3

MATERIAL: STEEL ASTM A-36

SEE PAGE B-1.1 FOR GLOBAL MATERIALS CHART



NAAMS Codes with suffix H
 carburize and harden
 58-62 Rc, 1.0-1.5mm deep

NAAMS CODE	DIM "A"	Wt. kg
ARL146	145.0	0.14
ARL171	170.0	0.16
ARL196	195.0	0.18
ARL221	220.0	0.20
ARL246	245.0	0.23
ARL271	270.0	0.25
ARL299	295.0	0.27
ARL321	320.0	0.29

A

ROUGH LOCATORS

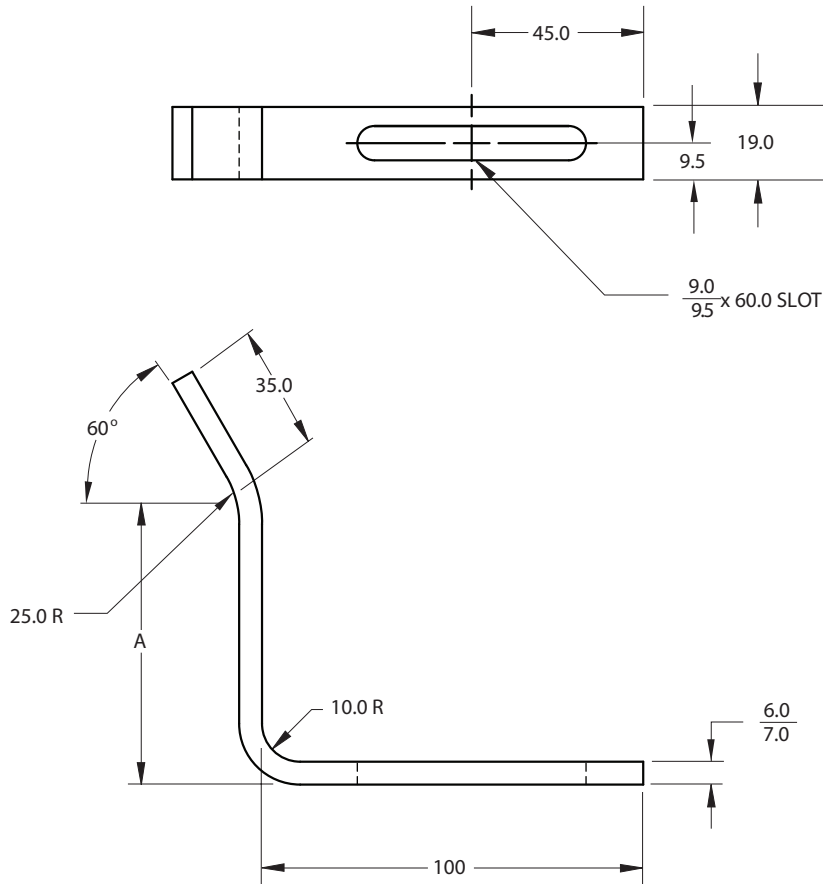
EXCEPT AS NOTED TOLERANCES SHALL BE:

1 PLACE FABRICATION ± 1.5

1 PLACE MACHINING ± 0.3

MATERIAL: STEEL ASTM A-36

SEE PAGE B-1.1 FOR GLOBAL MATERIALS CHART



A

NAAMS Codes with suffix H
 carburize and harden
 58-62 Rc, 1.0-1.5mm deep

NAAMS CODE	DIM "A"	Wt. kg
ARL076L ARL076LH	75.0	0.17
ARL101L ARL101LH	100.0	0.19
ARL126L ARL126LH	125.0	0.21
ARL151L ARL151LH	150.0	0.23
ARL176L ARL176LH	175.0	0.26
ARL201L ARL201LH	200.0	0.28
ARL226L ARL226LH	225.0	0.30
ARL251L ARL251LH	250.0	0.32

A

ROUGH LOCATORS

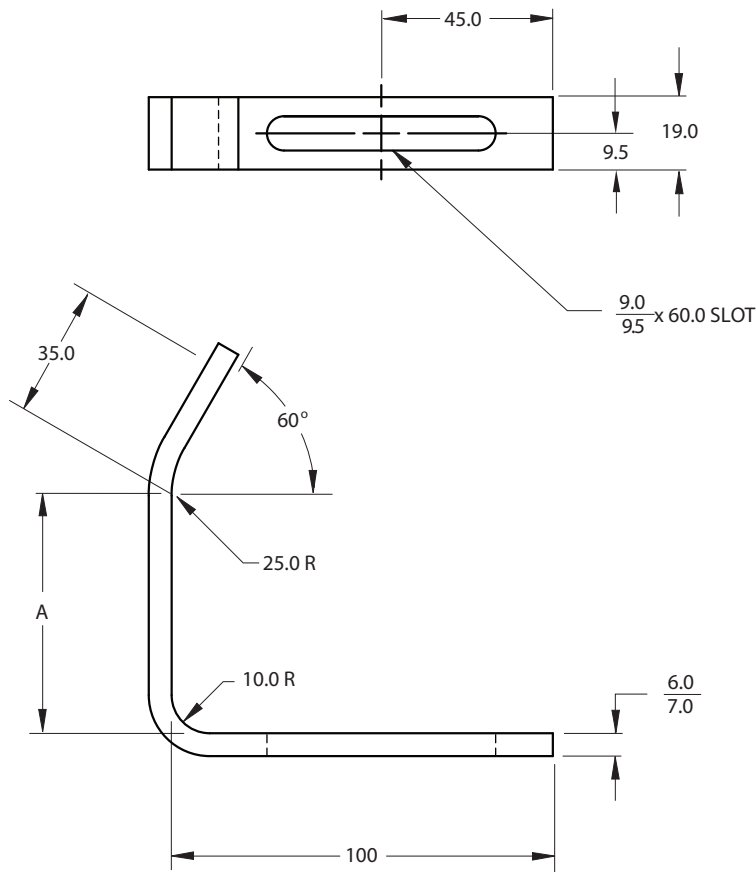
EXCEPT AS NOTED TOLERANCES SHALL BE:

1 PLACE FABRICATION ± 1.5

1 PLACE MACHINING ± 0.3

MATERIAL: STEEL ASTM A-36

SEE PAGE B-1.1 FOR GLOBAL MATERIALS CHART



A

NAAMS Codes with suffix H
 carburize and harden
 58-62 Rc, 1.0-1.5mm deep

NAAMS CODE	DIM "A"	Wt. kg
ARL076R	65.0	0.16
ARL101R	90.0	0.18
ARL126R	115.0	0.20
ARL151R	140.0	0.22
ARL176R	165.0	0.24
ARL201R	190.0	0.27
ARL226R	215.0	0.29
ARL251R	240.0	0.31

A