

L-BLOCKS COMPONENTS INDEX

PAGE	DATE	NAAMS CODE	DESCRIPTION
H-1	06/01/21		L-Blocks Components Index
H-1.1	06/01/21		L-Blocks Components Index
H-2	08/13/07	Discontinued	L-Block (Full Metric) (3 and 4-Hole)
H-3	02/12/14	ALB020M – ALB023M	L-Block (Full Metric) (3 and 4-Hole)
H-4	08/13/07	Discontinued	L-Block (Full Metric) (3-Hole)
H-5	02/12/14	ALB050M – ALB061M	L-Block (Full Metric) (3-Hole)
H-6	02/12/14	ALB070M – ALB081M	L-Block (Full Metric) (4-Hole)
H-7	08/13/07	Discontinued	L-Block (Full Metric) (3-Hole, Wide)
H-8	02/12/14	ALB100M – ALB103M	L-Block (Full Metric) (3-Hole, Wide)
H-9	02/12/14	ALB110M R/L – ALB113M R/L	L-Block (Full Metric) (4-Hole, Wide)
H-10	02/12/14	ALB115M & ALB116M	L-Block (Full Metric) (4-Hole, Wide)
H-11	08/13/07	Discontinued	L-Block (Full Metric) (T-Shaped)
H-12	02/12/14	ALB130M – ALB133M	L-Block (Full Metric) (T-Shaped)
H-13	02/12/14	ALB140M – ALB151M	L-Block (Full Metric) (T-Shaped)
H-14	08/13/07	Discontinued	L-Block (Small) (Full Metric) (3-Hole)
H-15	08/13/07	Discontinued	L-Block (Small) (Full Metric) (4-Hole)
H-16	08/13/07	Discontinued	L-Block (Small) (Full Metric) (3-Hole Wide)
H-17	08/13/07	Discontinued	L-Block (Small) (Full Metric) (4-Hole Wide)
H-18	08/13/07	Discontinued	L-Block (Small) (Full Metric) (T-Shaped)
H-19	08/13/07	Discontinued	L-Block (Small) (Full Metric) (T-Shaped)
H-20	08/13/07	Discontinued	L-Block (3 and 4-Hole, Inch Dimension Holes)
H-21	02/12/14	ALB020 – ALB023	L-Block (3 and 4-Hole, Inch Dimension Holes)
H-22	08/13/07	Discontinued	L-Block (3-Hole, Inch Dimension Holes)
H-23	02/12/14	ALB050 – ALB061	L-Block (3-Hole, Inch Dimension Holes)
H-24	02/12/14	ALB050 – ALB061	L-Block (4-Hole, Inch Dimension Holes)
H-25	08/13/07	Discontinued	L-Block (3-Hole, Wide, Inch Dimension Holes)
H-26	02/12/14	ALB100 – ALB103	L-Block (3-Hole, Wide, Inch Dimension Holes)
H-27	02/12/14	ALB110 – ALB113	L-Block (4-Hole, Wide, Inch Dimension Holes)
H-28	02/12/14	ALB115 – ALB116	L-Block (4-Hole, Wide, Inch Dimension Holes)

L-BLOCKS COMPONENTS INDEX

PAGE	DATE	NAAMS CODE	DESCRIPTION
H-29	08/13/07	Discontinued	L-Block (T-Shaped, Inch Dimension Holes)
H-30	02/12/14	ALB130 – ALB133	L-Block (T-Shaped, Inch Dimension Holes)
H-31	02/12/14	ALB140 – ALB151	L-Block (T-Shaped, Inch Dimension Holes)
H-32	08/13/07	Discontinued	L-Block (Small) (3-Hole, Inch Dimension Holes)
H-33	08/13/07	Discontinued	L-Block (Small) (4-Hole, Inch Dimension Holes)
H-34	08/13/07	Discontinued	L-Block (Small) (Wide, Inch Dimension Holes)
H-35	08/13/07	Discontinued	L-Block (Small) (Wide, Inch Dimension Holes)
H-36	08/13/07	Discontinued	L-Block (Small) (T-Shaped, Inch Dimension Holes)
H-37	08/13/07	Discontinued	L-Block (Small) (T-Shaped, Inch Dimension Holes)
H-38	02/12/14	ALB320M – ALB323M	L-Block – 20 mm Series (Full Metric)
H-39	03/31/10	Discontinued	L-Block – 20 mm Series (Full Metric)
H-40	02/12/14	ALB370M – ALB381M	L-Block – 20 mm Series (Full Metric)
H-41	09/05/12	Discontinued	L-Block – 20 mm Series (Full Metric)
H-42	02/12/14	ALB410M – ALB413M	L-Block – 20 mm Series (Full Metric)
H-43	02/12/14	ALB415M – ALB416M	L-Block – 20 mm Series (Full Metric)
H-44	02/12/14	ALB430M – ALB433M	L-Block – 20 mm Series (Full Metric)
H-45	02/12/14	ALB330M – ALB341M	L-Block – 20 mm Series (Full Metric)
H-46	02/12/14	ALB510M - ALB513M	L-Block - 20mm Series (Full Metric)
H-47	02/12/14	ALB521M - ALB524M	L-Block - 20mm Series (Full Metric)
H-48	02/12/14	ALB531M - ALB532M	L-Block - 20mm Series (Full Metric)
H-49	02/12/14	ALB551M - ALB554M	L-Block - 20mm Series (Full Metric)
H-50	02/12/14	ALB540M - ALB543M	L-Block - 20mm Series (Full Metric)
H-51	02/12/14	ALB560M - ALB563M	L-Block - 20mm Series (Full Metric)
H-52	02/12/14	ALB570M - ALB573M	L-Block - 20mm Series (Full Metric)
H-53	02/12/14	ALB580M - ALB583M	L-Block - 20mm Series (Full Metric)
H-54	06/01/21	ALB610	L-Block - 16mm Series (Full Metric)
H-55	06/01/21	ALB620	L-Block - 16mm Series (Full Metric)

L BLOCK (FULL METRIC) ALB010M, 011M, 012M AND 013M

GLOBAL STANDARD COMPONENTS



Assembly

08/13/07

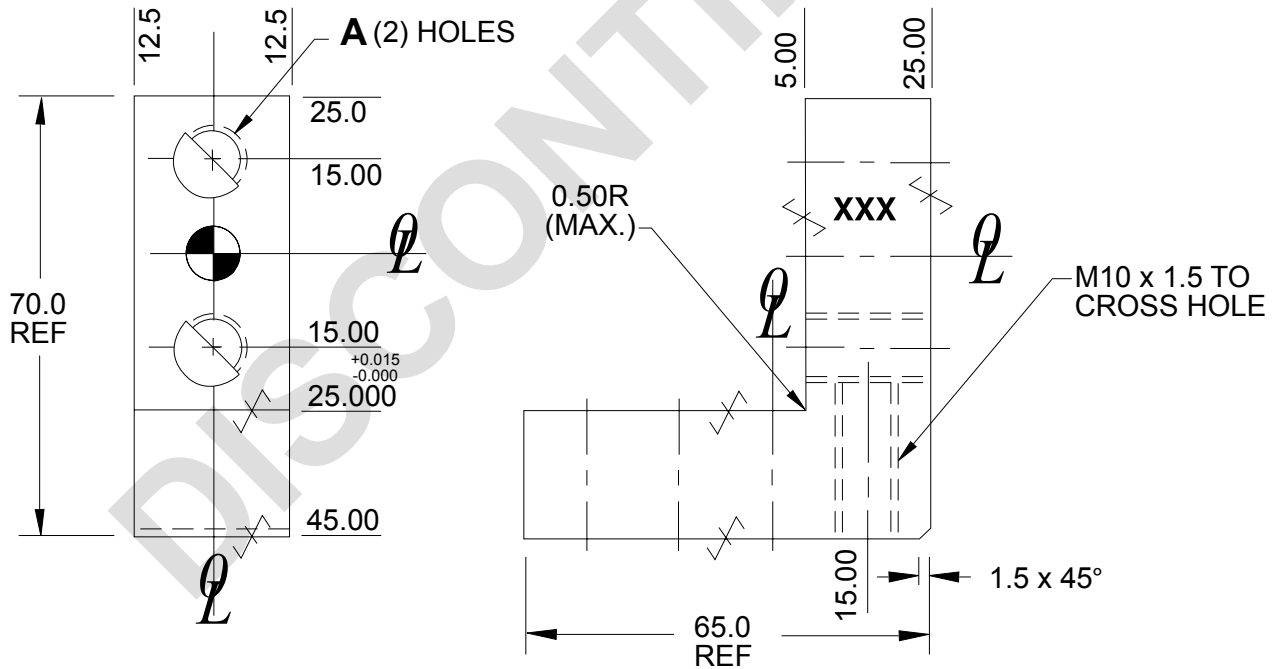
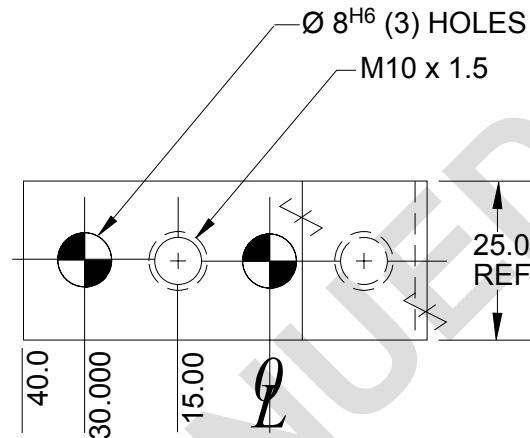
B

Tolerances: 1 PLACE ± 0.3
2 PLACE ± 0.03
3 PLACE ± 0.020

SURFACES TO BE FLAT, PARALLEL & PERPENDICULAR TO WITHIN 0.015 T.I.R.

NOTE: Identify with NAAMS CODE number as shown **XXX**.
Black Oxide Finish

A



SEE PAGE B-1.1 FOR GLOBAL MATERIALS CHART

NAAMS CODE	A	MATERIAL
ALB010M	M10 x 1.5	STEEL ASTM A-36
ALB011M	M10 x 1.5	NM Stainless
ALB012M	11.0	STEEL ASTM A-36
ALB013M	11.0	NM Stainless

D

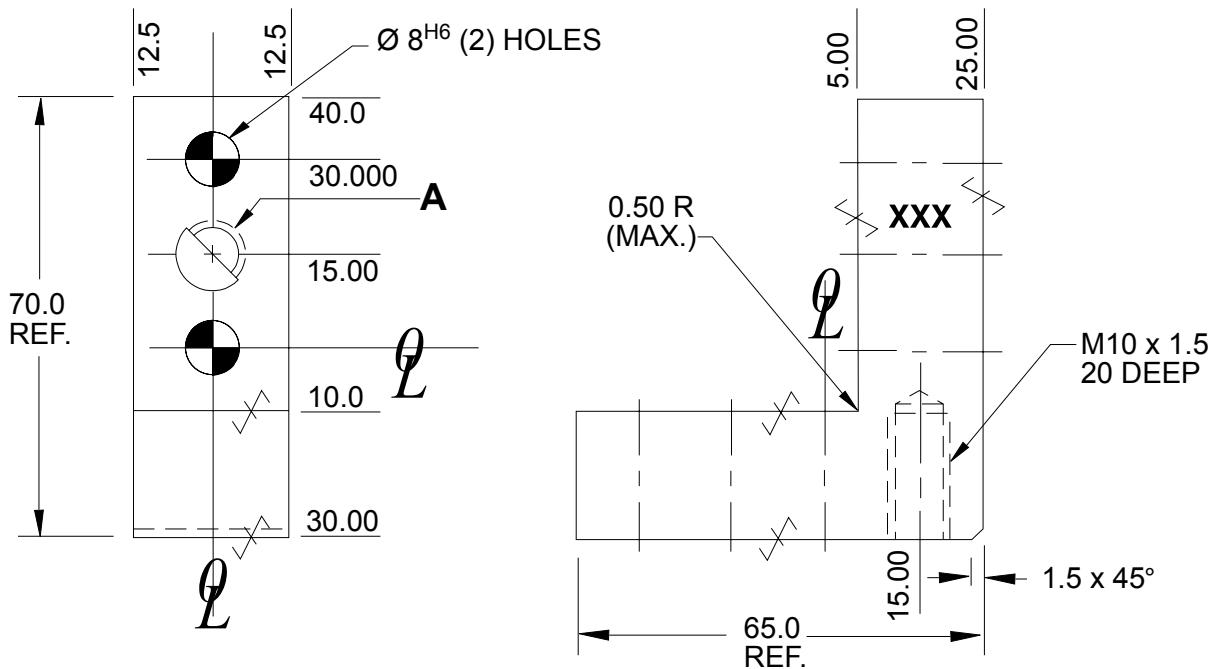
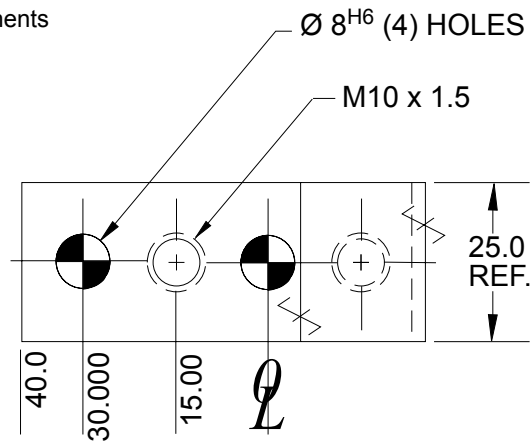
C

L BLOCK (FULL METRIC)

ALB020M, 021M, 022M AND 023M

Tolerances: 1 PLACE ± 0.3
2 PLACE ± 0.03
3 PLACE ± 0.020

✓ SURFACES TO BE FLAT, PARALLEL & PERPENDICULAR TO WITHIN 0.015 T.I.R.
NOTE: Identify with NAAMS CODE number as shown **XXX**.
Black Oxide Finish
No Black Oxide Finish to "SS Type" Components



SEE PAGE B-1.1 FOR GLOBAL MATERIALS CHART

NAAMS CODE	A	MATERIAL	WT. kg
ALB020M	M10 x 1.5	STEEL ASTM A-36	0.45
ALB021M	M10 x 1.5	SS type 303 or 304	0.45
ALB022M	11.0	STEEL ASTM A-36	0.45
ALB023M	11.0	SS type 303 or 304	0.45

A
G

D

F
B
C
E

L BLOCK (FULL METRIC) ALB040M, 041M, 042M AND 043M

GLOBAL STANDARD COMPONENTS



Assembly

08/13/07

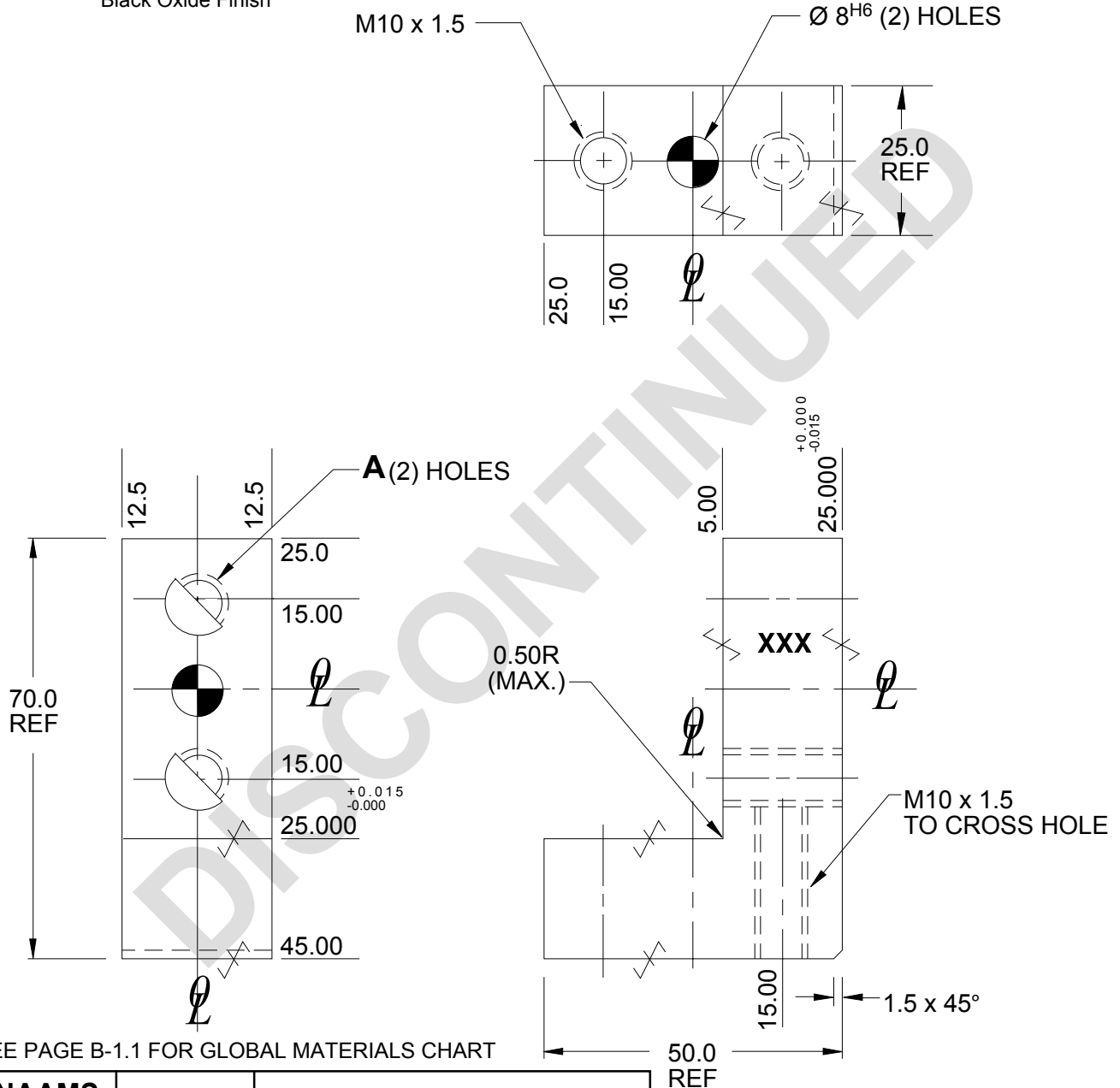
B

Tolerances: 1 PLACE ± 0.3
2 PLACE ± 0.03
3 PLACE ± 0.020

✓ SURFACES TO BE FLAT, PARALLEL & PERPENDICULAR TO WITHIN 0.015 T.I.R.

NOTE: Identify with NAAMS CODE number as shown **XXX**.
Black Oxide Finish

A



SEE PAGE B-1.1 FOR GLOBAL MATERIALS CHART

NAAMS CODE	A	MATERIAL
ALB040M	M10 x 1.5	STEEL ASTM A-36
ALB041M	M10 x 1.5	NM Stainless
ALB042M	11.0	STEEL ASTM A-36
ALB043M	11.0	NM Stainless

D

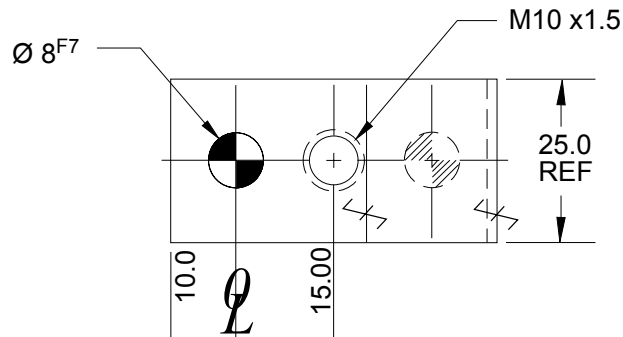
C

L BLOCK (FULL METRIC) ALB050M, 051M, 060M AND 061M

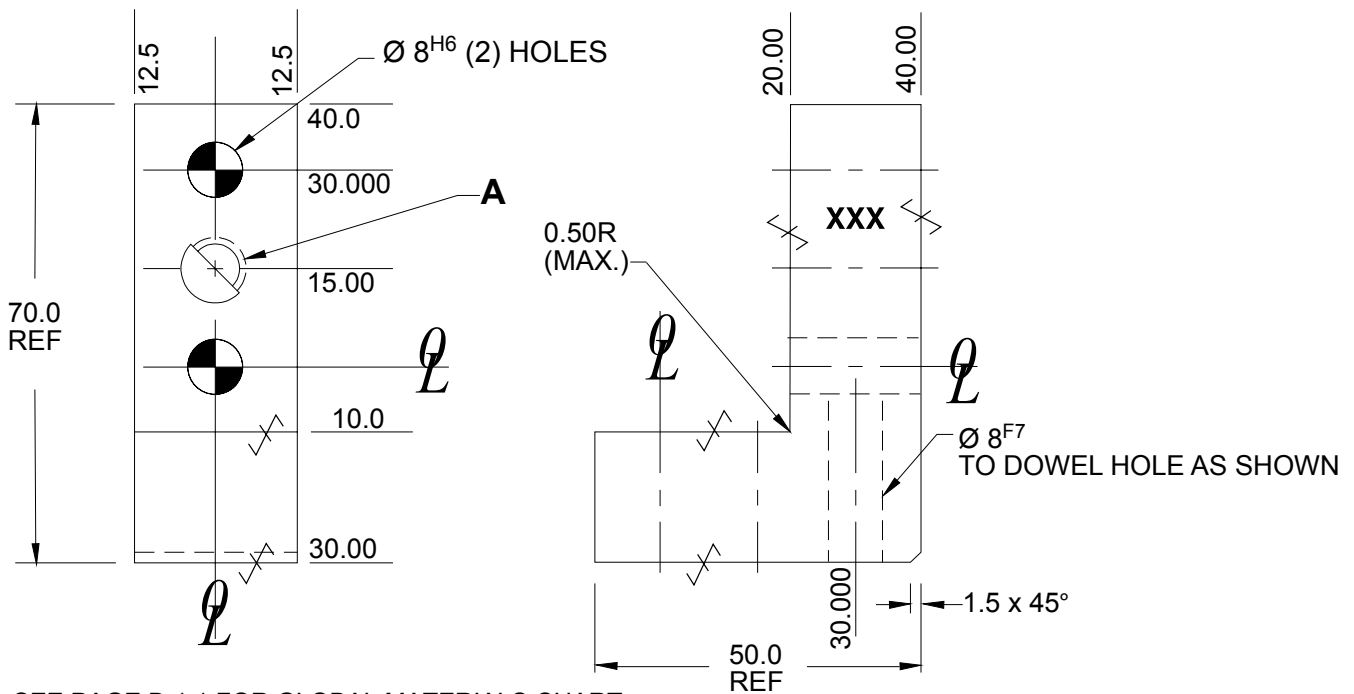
Tolerances: 1 PLACE ± 0.3
2 PLACE ± 0.03
3 PLACE ± 0.020

✓ SURFACES TO BE FLAT, PARALLEL & PERPENDICULAR TO WITHIN 0.015 T.I.R.

NOTE: Identify with NAAMS CODE number as shown **XXX**.
Black Oxide Finish
No Black Oxide Finish to "SS Type" Components



A
D
G



D

D

SEE PAGE B-1.1 FOR GLOBAL MATERIALS CHART

NAAMS CODE	A	MATERIAL	WT. kg
ALB050M	M10 x 1.5	STEEL ASTM A-36	0.32
ALB051M	M10 x 1.5	SS type 303 or 304	0.32
ALB060M	11.0	STEEL ASTM A-36	0.32
ALB061M	11.0	SS type 303 or 304	0.32

F


B

C

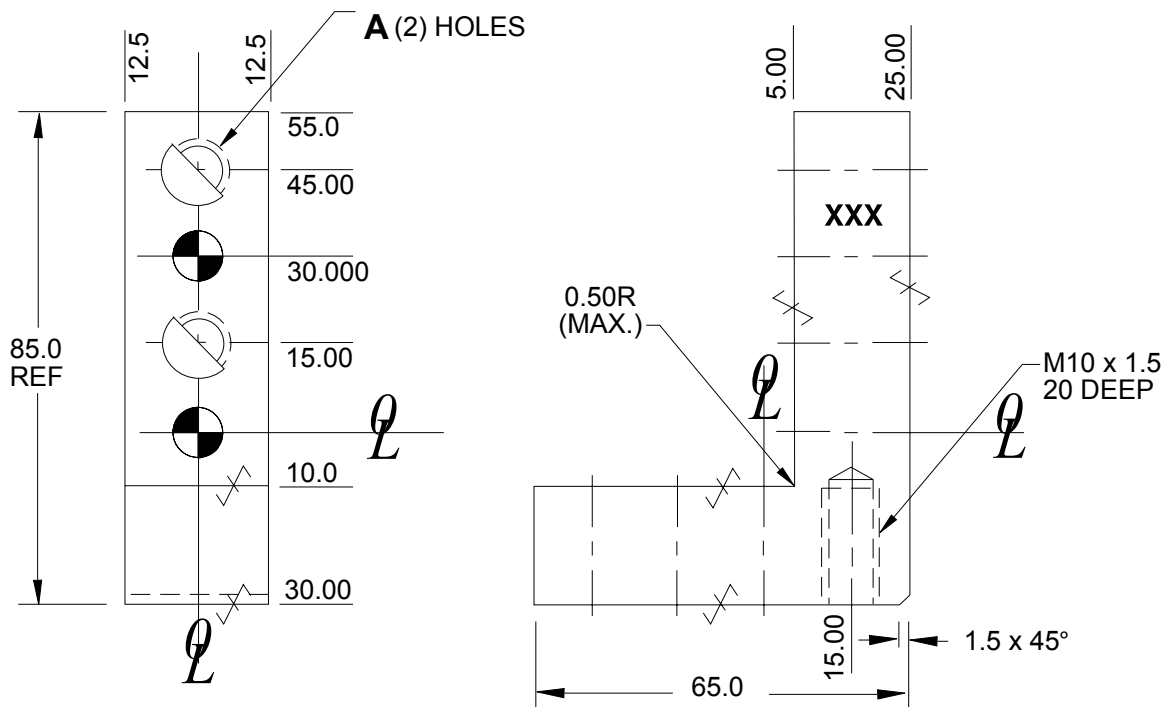
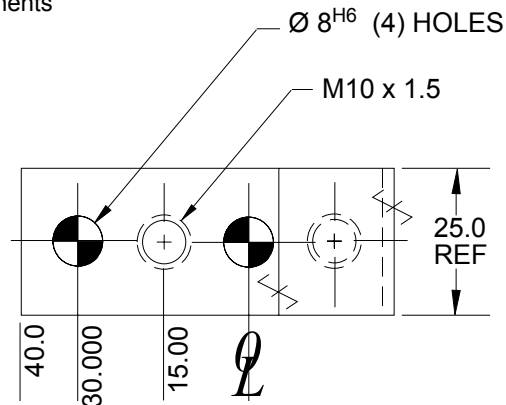
E

L BLOCK (FULL METRIC) ALB070M, 071M, 080M AND 081M

Tolerances: 1 PLACE ± 0.3
2 PLACE ± 0.03
3 PLACE ± 0.020

 SURFACES TO BE FLAT, PARALLEL & PERPENDICULAR TO WITHIN 0.015 T.I.R.

NOTE: Identify with NAAMS CODE number as shown **XXX**.
Black Oxide Finish
No Black Oxide Finish to "SS Type" Components



SEE PAGE B-1.1 FOR GLOBAL MATERIALS CHART


NAAMS CODE	A	MATERIAL	WT. kg
ALB070M	11.0	STEEL ASTM A-36	0.45
ALB071M	11.0	SS type 303 or 304	0.45
ALB080M	M10 X 1.5	STEEL ASTM A-36	0.45
ALB081M	M10 X 1.5	SS type 303 or 304	0.45

A
F

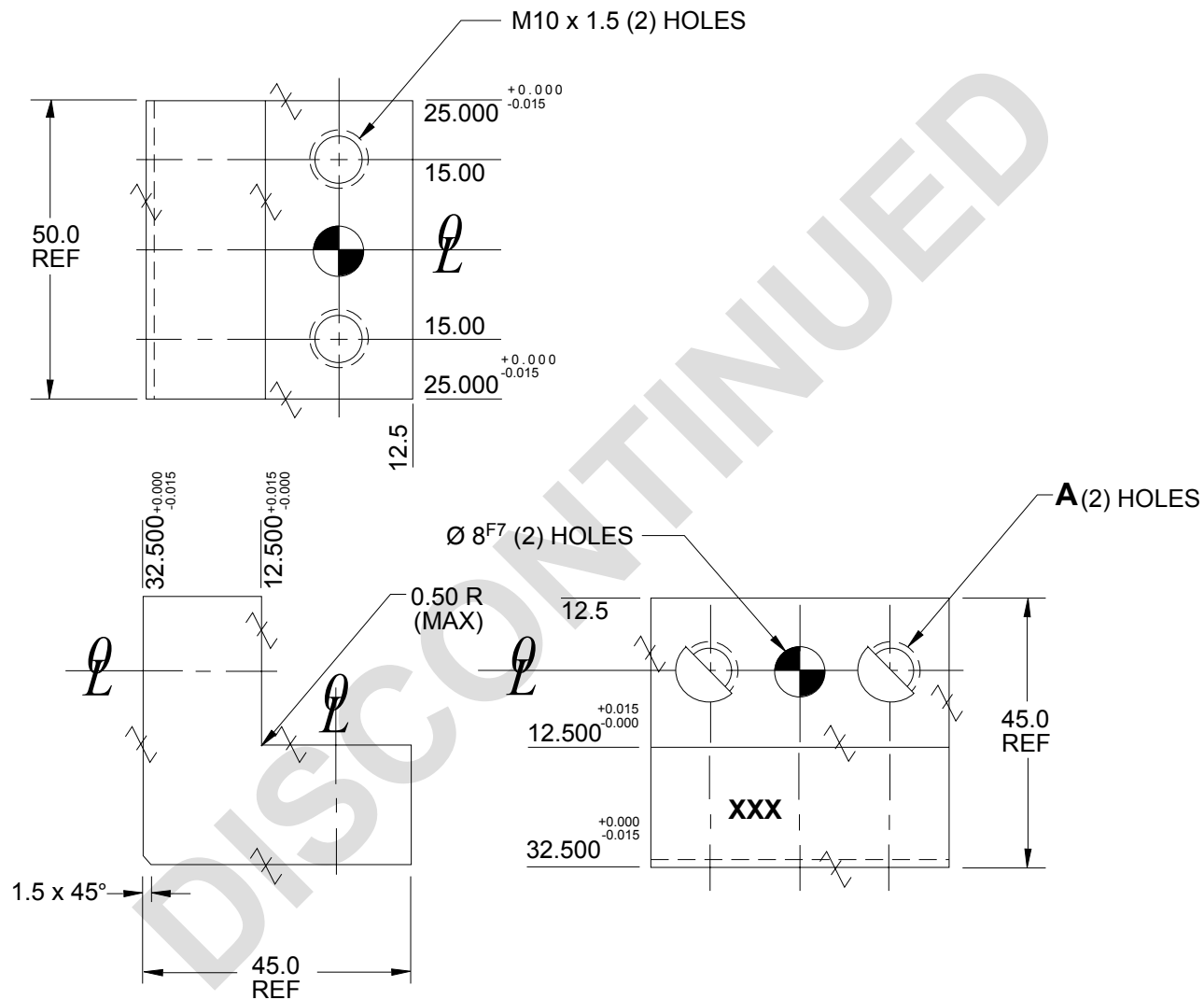
E
B
C
D

L BLOCK (FULL METRIC) ALB090M, 091M, 092M AND 093M

Tolerances: 1 PLACE ± 0.3
2 PLACE ± 0.03
3 PLACE ± 0.020

 SURFACES TO BE FLAT, PARALLEL & PERPENDICULAR TO WITHIN 0.015 T.I.R.

NOTE: Identify with NAAMS CODE number as shown **XXX**.
Black Oxide Finish




SEE PAGE B-1.1 FOR GLOBAL MATERIALS CHART

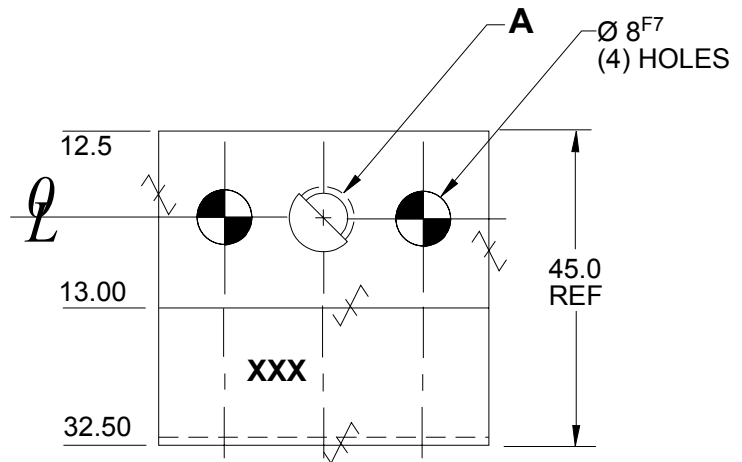
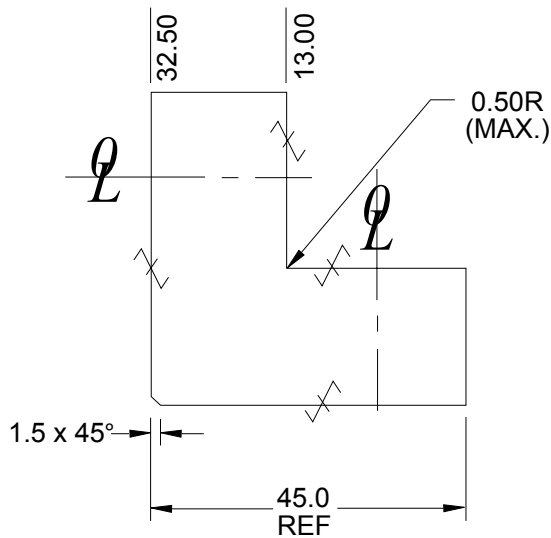
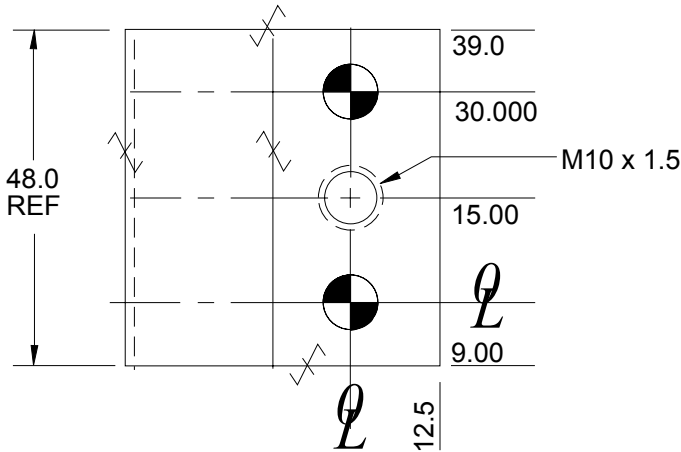
NAAMS CODE	A	MATERIAL
ALB090M	M10 x 1.5	STEEL ASTM A-36
ALB091M	M10 x 1.5	NM Stainless
ALB092M	11.0	STEEL ASTM A-36
ALB093M	11.0	NM Stainless

L BLOCK (FULL METRIC) ALB100M, 101M, 102M AND 103M

Tolerances: 1 PLACE ± 0.3
2 PLACE ± 0.03
3 PLACE ± 0.020

 SURFACES TO BE FLAT, PARALLEL & PERPENDICULAR TO WITHIN 0.015 T.I.R.

NOTE: Identify with NAAMS CODE number as shown **XXX**.
Black Oxide Finish
No Black Oxide Finish to "SS Type" Components



SEE PAGE B-1.1 FOR GLOBAL MATERIALS CHART

NAAMS CODE	A	MATERIAL	WT. kg
ALB100M	M10 x 1.5	STEEL ASTM A-36	0.45
ALB101M	M10 x 1.5	SS type 303 or 304	0.45
ALB102M	11.0	STEEL ASTM A-36	0.45
ALB103M	11.0	SS type 303 or 304	0.45

A
G

F
B
C
D
E

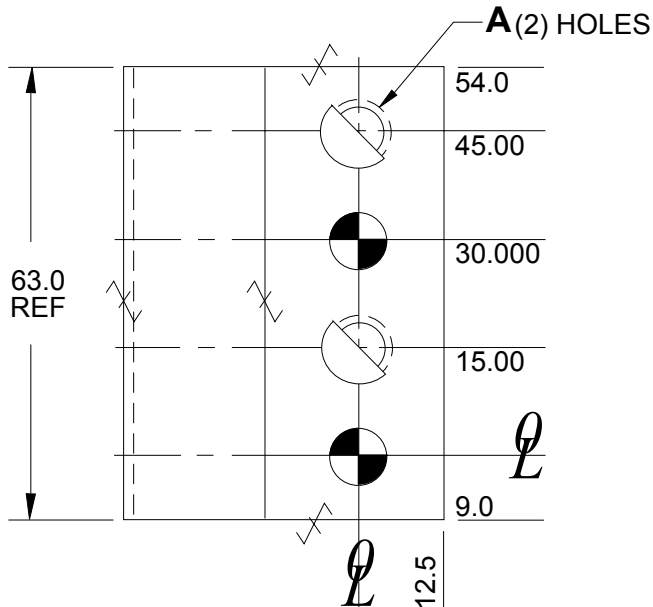
L BLOCK (FULL METRIC) ALB110M R/L, 111M R/L, 112M R/L AND 113M R/L

GLOBAL STANDARD COMPONENTS



Assembly

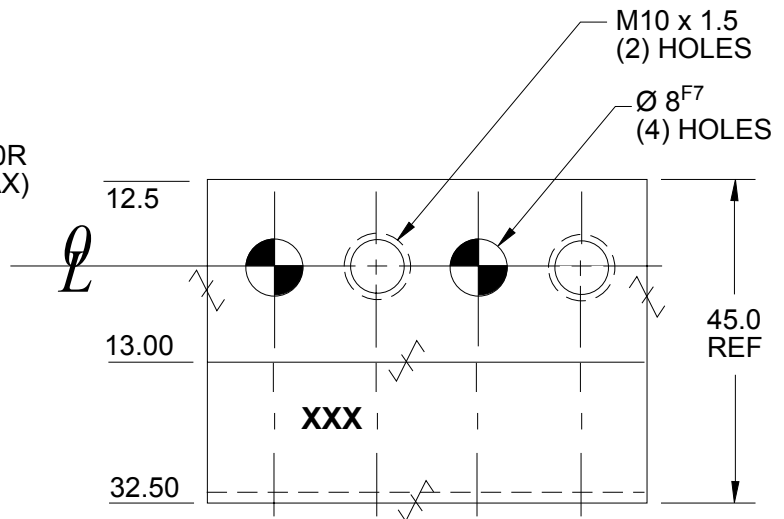
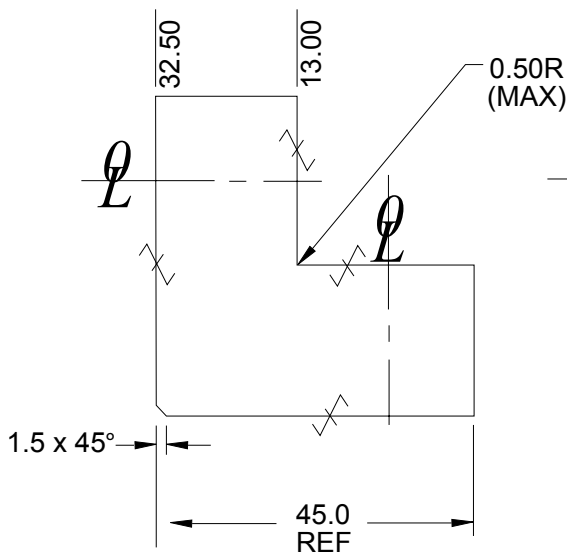
02/12/14



Tolerances: 1 PLACE ± 0.3
2 PLACE ± 0.03
3 PLACE ± 0.020

SURFACES TO BE FLAT, PARALLEL & PERPENDICULAR TO WITHIN 0.015 T.I.R.
NOTE: Identify with NAAMS CODE number as shown **XXX**.
Black Oxide Finish
No Black Oxide Finish to "SS Type" Components

A
G



SEE PAGE B-1.1 FOR GLOBAL MATERIALS CHART

NAAMS CODE	A	MATERIAL	NOTE	WT. kg
ALB110M	M10 x 1.5	STEEL ASTM A-36	For Right and Left Hand Use	0.59
ALB111M	M10 x 1.5	SS type 303 or 304	For Right and Left Hand Use	0.59
ALB112M	11.0	STEEL ASTM A-36	For Opposite Hand See ALB115M	0.59
ALB113M	11.0	SS type 303 or 304	For Opposite Hand See ALB116M	0.59

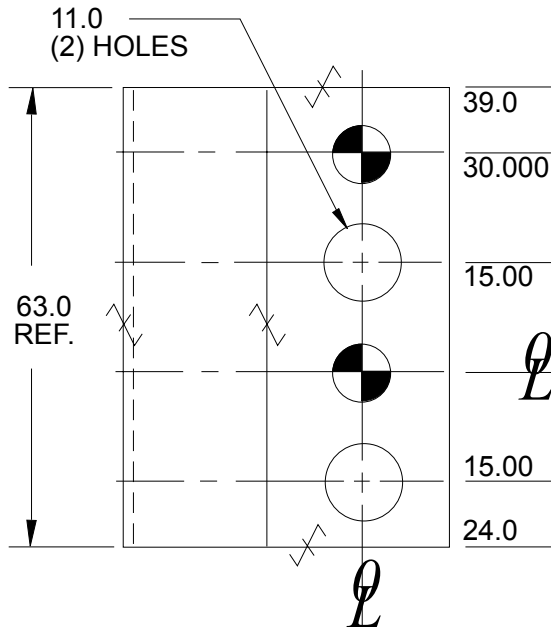
F
E
B
C
D

L BLOCK (FULL METRIC) ALB115M AND 116M



Assembly

02/12/14



Tolerances: METRIC

1 PLACE ± 0.3

2 PLACE ± 0.03

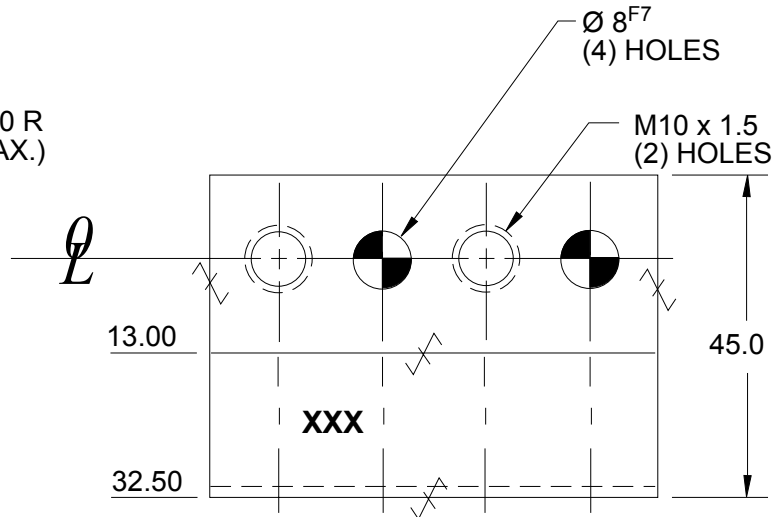
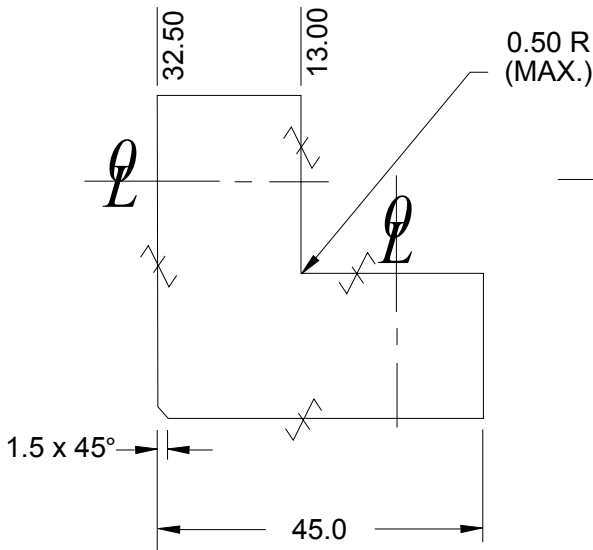
3 PLACE ± 0.020

$\sqrt{\text{X}}$ SURFACES TO BE FLAT, PARALLEL & PERPENDICULAR TO WITHIN 0.015mm T.I.R.
NOTE: Identify with NAAMS CODE number as shown **XXX**.

Black Oxide Finish

No Black Oxide Finish to "SS Type" Components

A
F



SEE PAGE B-1.1 FOR GLOBAL MATERIALS CHART

NAAMS CODE	MATERIAL	NOTE	WT. kg
ALB115M	STEEL ASTM A-36	For Opposite Hand See ALB 112M	0.59
ALB116M	SS type 303 or 304	For Opposite Hand See ALB 113M	0.59

E
C
B
D

L BLOCK (FULL METRIC) ALB120M, 121M, 122M AND 123M

GLOBAL STANDARD COMPONENTS



Assembly

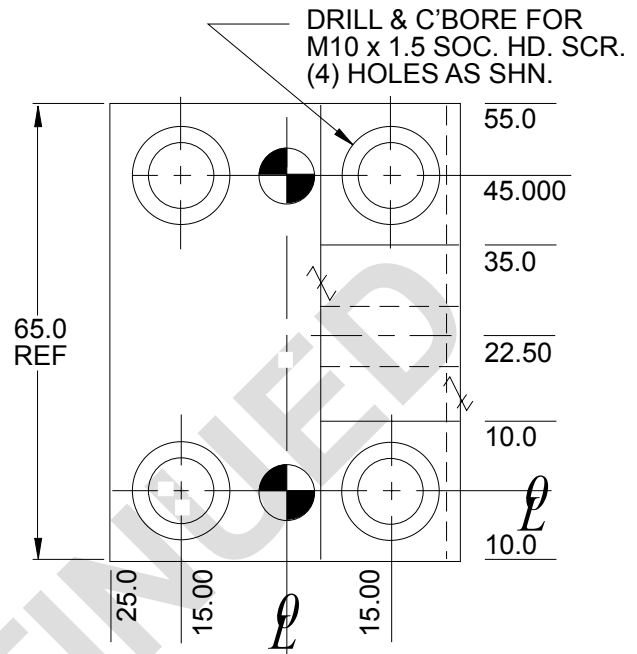
08/13/07

B

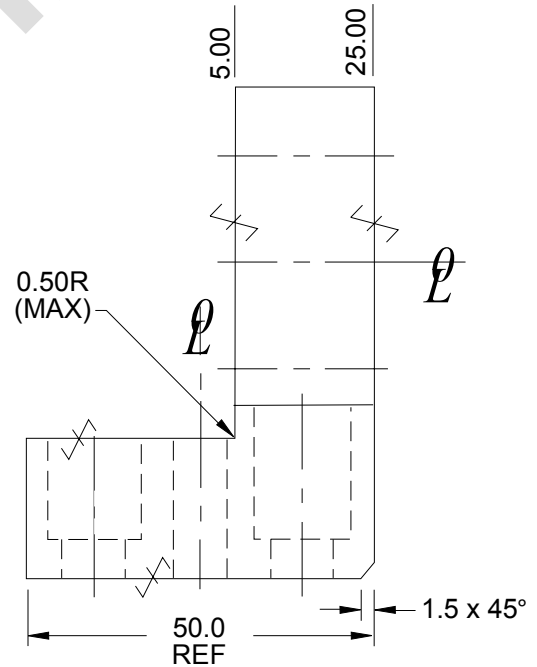
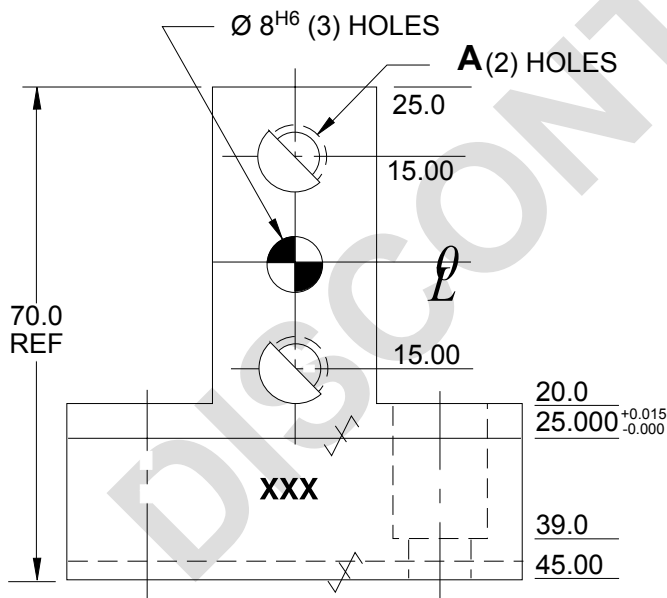
Tolerances: 1 PLACE ± 0.3
2 PLACE ± 0.03
3 PLACE ± 0.020

✓ SURFACES TO BE FLAT, PARALLEL & PERPENDICULAR TO WITHIN 0.015 T.I.R.

NOTE: Identify with NAAMS CODE number as shown **XXX**.
Black Oxide Finish



A



SEE PAGE B-1.1 FOR GLOBAL MATERIALS CHART


NAAMS CODE	A	MATERIAL
ALB120M	M10 x 1.5	STEEL ASTM A-36
ALB121M	M10 x 1.5	NM Stainless
ALB122M	11.0	STEEL ASTM A-36
ALB123M	11.0	NM Stainless

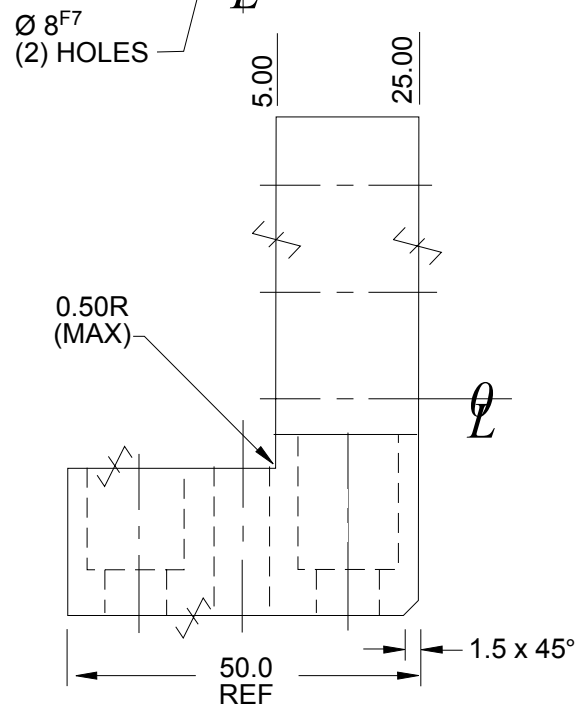
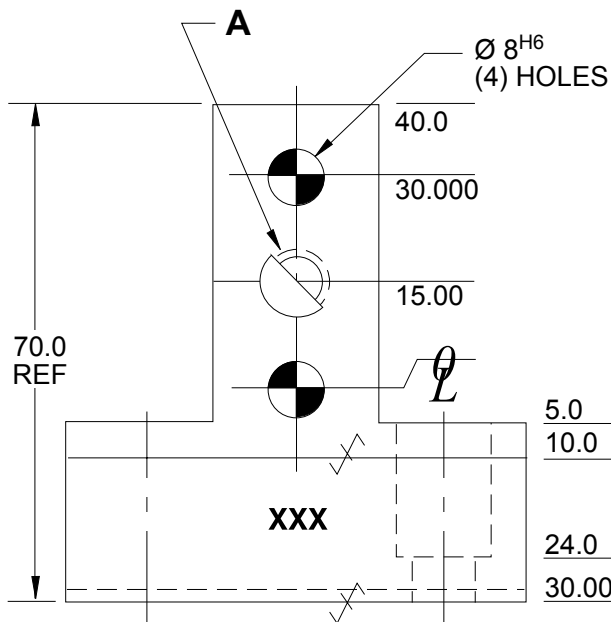
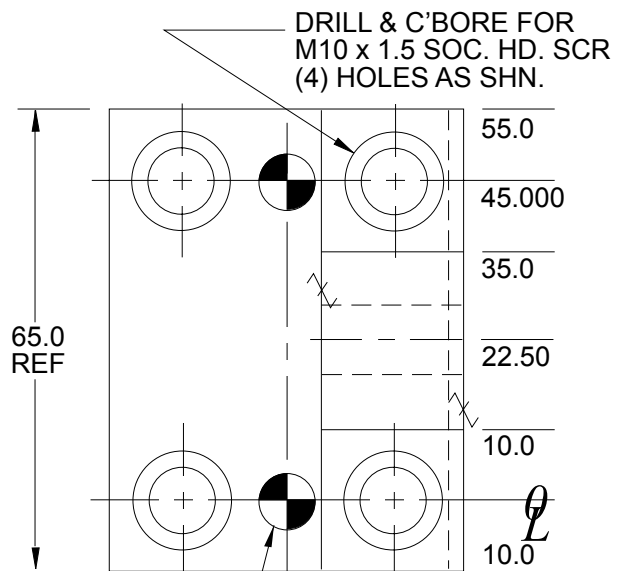
D

C

L BLOCK (FULL METRIC) ALB130M, 131M, 132M AND 133M

Tolerances: 1 PLACE ± 0.3
2 PLACE ± 0.03
3 PLACE ± 0.020

 SURFACES TO BE FLAT, PARALLEL & PERPENDICULAR TO WITHIN 0.015 T.I.R.
NOTE: Identify with NAAMS CODE number as shown **XXX**.
Black Oxide Finish
No Black Oxide Finish to "SS Type" Components



SEE PAGE B-1.1 FOR GLOBAL MATERIALS CHART

NAAMS CODE	A	MATERIAL	WT. kg
ALB130M	M10 x 1.5	STEEL ASTM A-36	0.59
ALB131M	M10 x 1.5	SS type 303 or 304	0.59
ALB132M	11.0	STEEL ASTM A-36	0.59
ALB133M	11.0	SS type 303 or 304	0.59

A
G

D

F
B
C
E

L BLOCK (FULL METRIC) ALB140M, 141M, 150M AND 151M

GLOBAL STANDARD COMPONENTS



Assembly

02/12/14

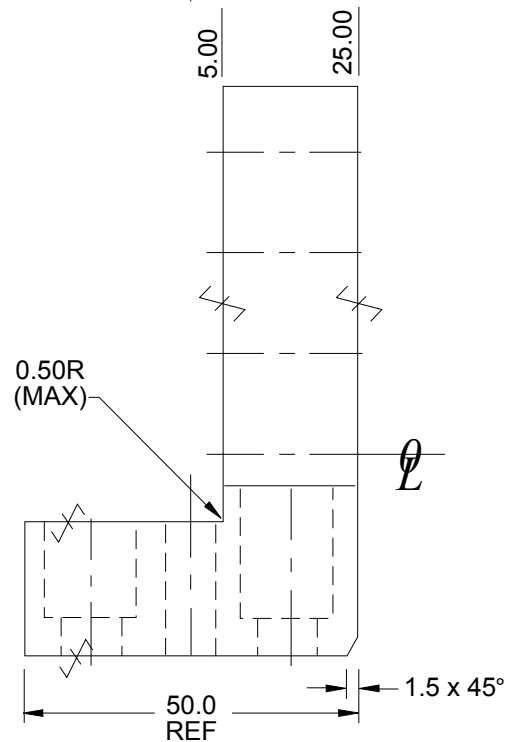
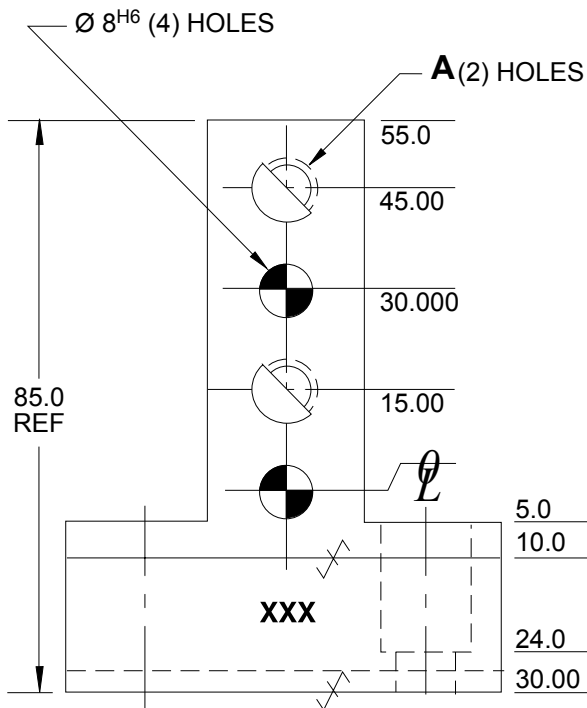
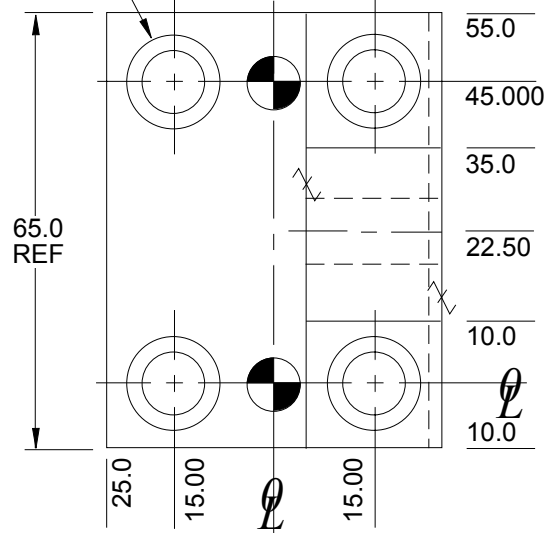
Tolerances: 1 PLACE ± 0.3
2 PLACE ± 0.03
3 PLACE ± 0.020

✓ SURFACES TO BE FLAT, PARALLEL & PERPENDICULAR TO WITHIN 0.015 T.I.R.

NOTE: Identify with NAAMS CODE number as shown **XXX**.

Black Oxide Finish
No Black Oxide Finish to "SS Type" Components

DRILL & C'BORE FOR M10 x 1.5 SOC. HD. SCR.
(4) HOLES AS SHN.



SEE PAGE B-1.1 FOR GLOBAL MATERIALS CHART

NAAMS CODE	A	MATERIAL	WT. kg
ALB140M	11.0	STEEL ASTM A-36	0.59
ALB141M	11.0	SS type 303 or 304	0.59
ALB150M	M10 x 1.5	STEEL ASTM A-36	0.59
ALB151M	M10 x 1.5	SS type 303 or 304	0.59

A
F


E
B
C
D

L BLOCK (SMALL) (FULL METRIC) ALB240M, 241M

B

Tolerances: METRIC

- 1 PLACE ± 0.3
- 2 PLACE ± 0.03
- 3 PLACE ± 0.020

 SURFACES TO BE FLAT, PARALLEL & PERPENDICULAR TO WITHIN 0.015 T.I.R.

MATERIAL: STEEL ASTM A-36

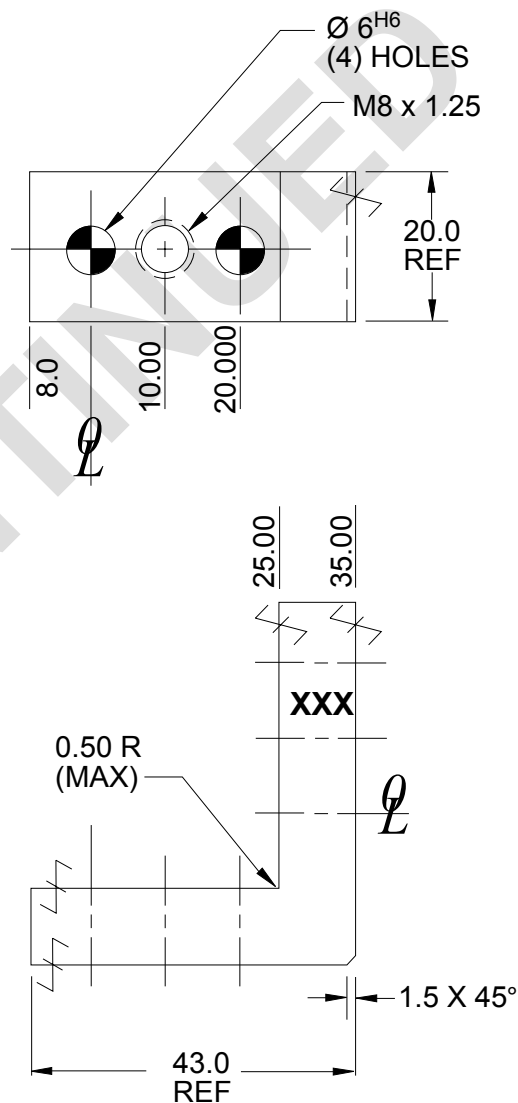
NOTE: Identify with NAAMS CODE number as shown **XXX**.

Black Oxide Finish

SEE PAGE B-1.1 FOR GLOBAL MATERIALS CHART

C

A



NAAMS CODE	A
ALB 240M	M8 x 1.25
ALB 241M	9.00

L BLOCK (SMALL) (FULL METRIC) ALB220M, 221M

GLOBAL STANDARD COMPONENTS



Assembly

08/13/07

B

Tolerances: METRIC

1 PLACE ± 0.3

2 PLACE ± 0.03

3 PLACE ± 0.020

SURFACES TO BE FLAT, PARALLEL & PERPENDICULAR TO WITHIN 0.015 T.I.R.

MATERIAL: STEEL ASTM A-36

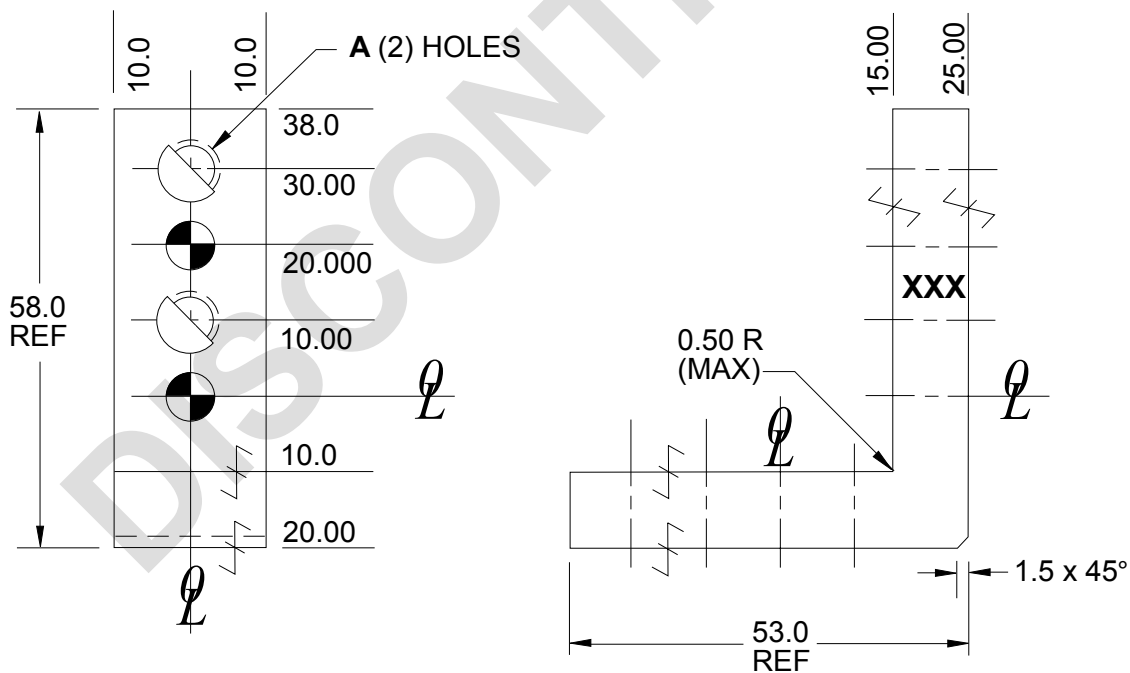
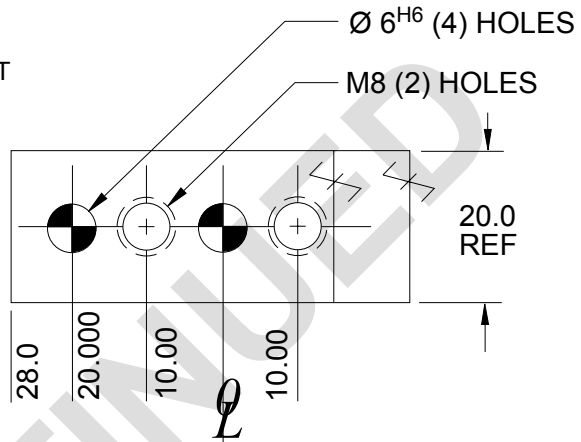
NOTE: Identify with NAAMS CODE number as shown **XXX**.

Black Oxide Finish

SEE PAGE B-1.1 FOR GLOBAL MATERIALS CHART

C

A




NAAMS CODE	A
ALB 220M	M8 x 1.25
ALB 221M	9.00

L BLOCK (SMALL) (FULL METRIC) ALB230M, 231M

B
C
A

Tolerances: METRIC

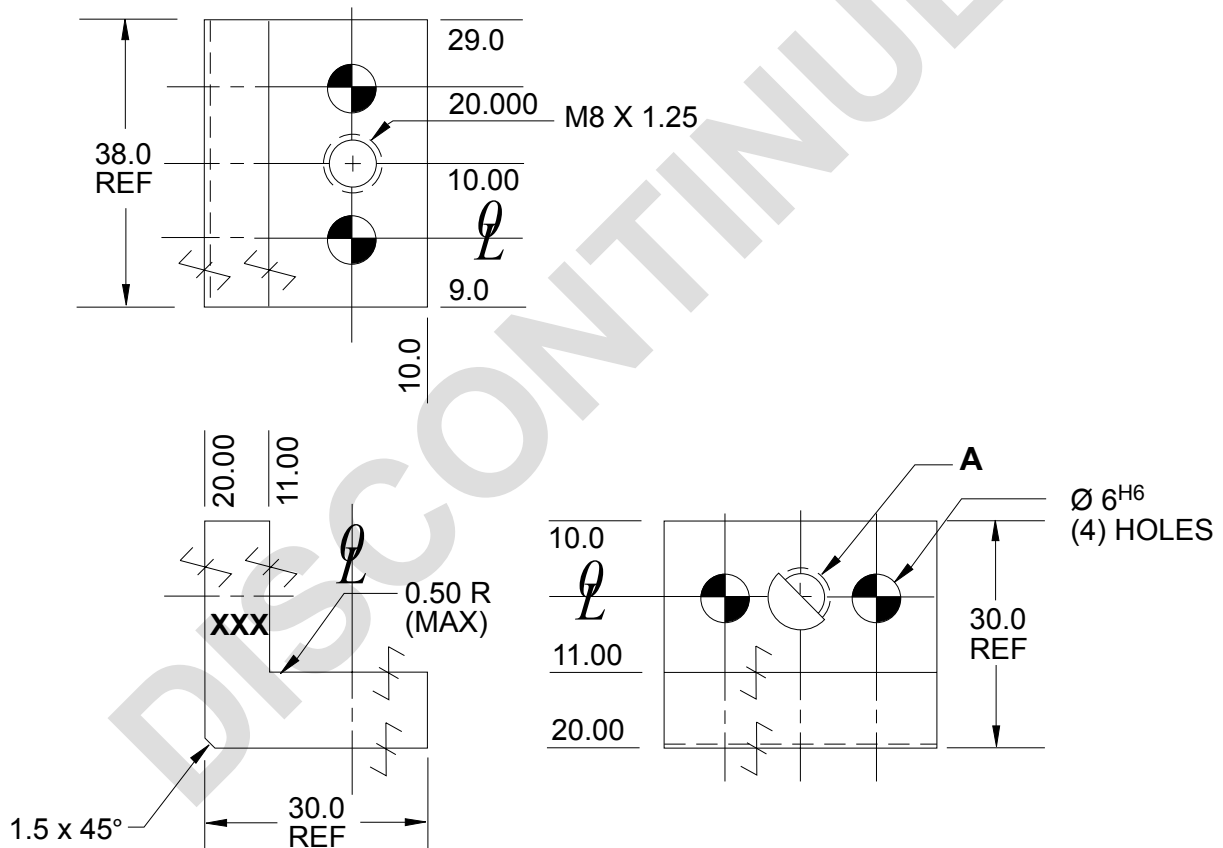
- 1 PLACE ± 0.3
- 2 PLACE ± 0.03
- 3 PLACE ± 0.020

 SURFACES TO BE FLAT, PARALLEL & PERPENDICULAR TO WITHIN 0.015 T.I.R.

MATERIAL: STEEL ASTM A-36

NOTE: Identify with NAAMS CODE number as shown **XXX**.
Black Oxide Finish

SEE PAGE B-1.1 FOR GLOBAL MATERIALS CHART




NAAMS CODE	A
ALB 230M	M8 x1.25
ALB 231M	9.00

L BLOCK (SMALL) (FULL METRIC) ALB210M R/L, 211M R/L

B

Tolerances: METRIC

- 1 PLACE ± 0.3
- 2 PLACE ± 0.03
- 3 PLACE ± 0.020

 SURFACES TO BE FLAT, PARALLEL & PERPENDICULAR TO WITHIN 0.015 T.I.R.

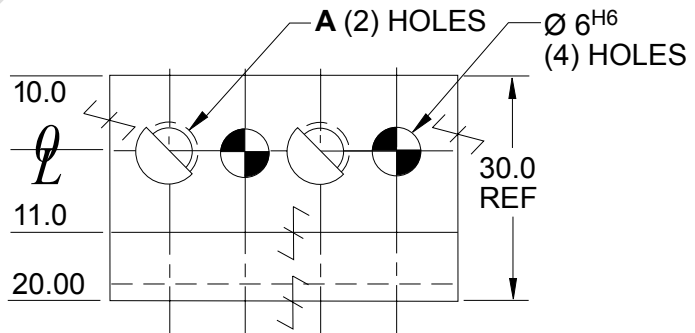
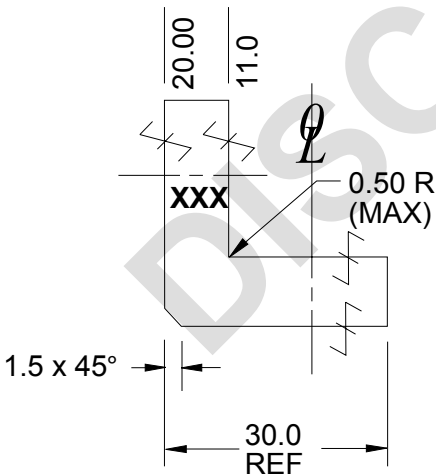
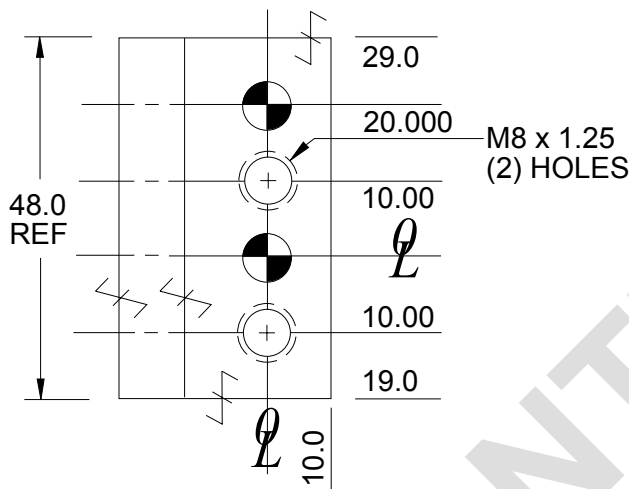
MATERIAL: STEEL ASTM A-36

NOTE: Identify with NAAMS CODE number as shown **XXX**.
Black Oxide Finish

SEE PAGE B-1.1 FOR GLOBAL MATERIALS CHART

C

A




NAAMS CODE		
SHOWN	OPPOSITE	A
ALB 210MR	ALB210ML	M8 x 1.25
ALB 211MR	ALB211ML	9.0

L BLOCK (SMALL) (FULL METRIC) ALB270M, 271M

B
C
A

Tolerances: METRIC

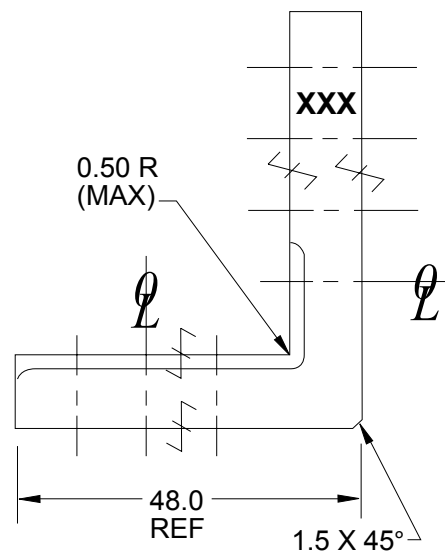
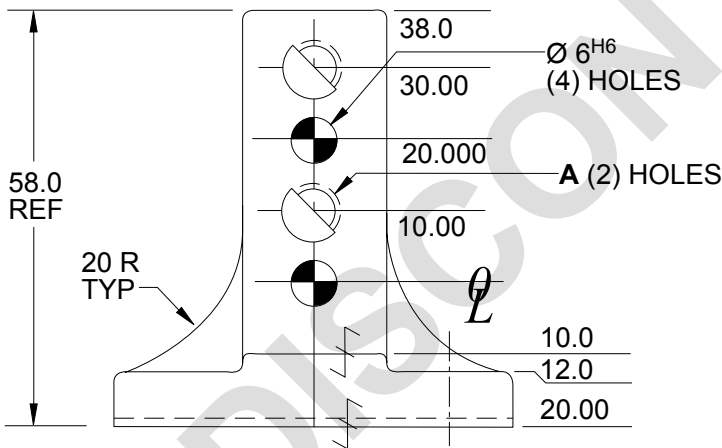
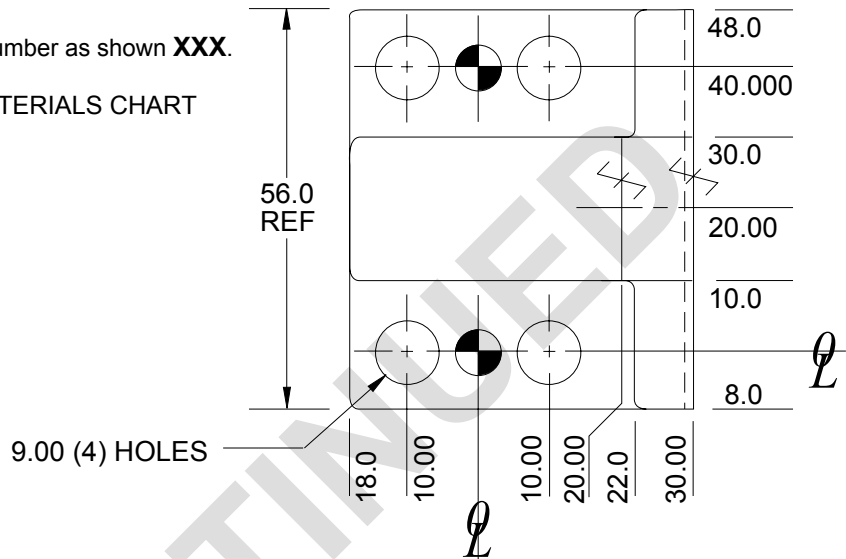
- 1 PLACE ± 0.3
- 2 PLACE ± 0.03
- 3 PLACE ± 0.020

 SURFACES TO BE FLAT, PARALLEL & PERPENDICULAR TO WITHIN 0.015 T.I.R.

MATERIAL: STEEL ASTM A-36

NOTE: Identify with NAAMS CODE number as shown **XXX**.
Black Oxide Finish

SEE PAGE B-1.1 FOR GLOBAL MATERIALS CHART



NAAMS CODE	A
ALB 270M	M8 x 1.25
ALB 271M	9.0

L BLOCK (SMALL) (FULL METRIC) ALB280M, 281M


B

Tolerances: METRIC

- 1 PLACE ± 0.3
- 2 PLACE ± 0.03
- 3 PLACE ± 0.020

C

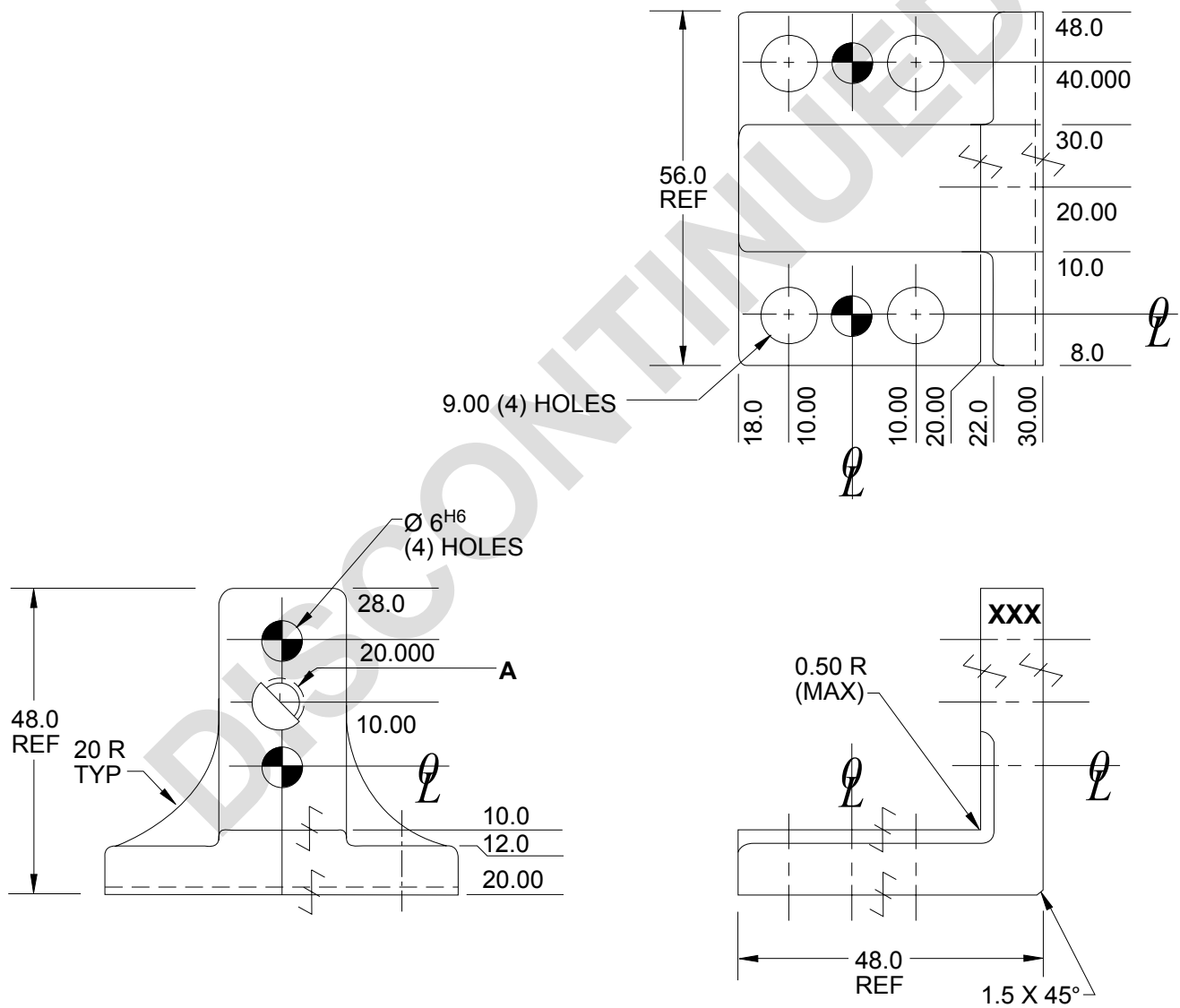
A

 SURFACES TO BE FLAT, PARALLEL & PERPENDICULAR TO WITHIN 0.015 T.I.R.

MATERIAL: STEEL ASTM A-36

NOTE: Identify with NAAMS CODE number as shown **XXX**.
 Black Oxide Finish

SEE PAGE B-1.1 FOR GLOBAL MATERIALS CHART



NAAMS CODE	A
ALB 280M	M8 x 1.25
ALB 281M	9.0

L BLOCK

ALB010, 011, 012 AND 013

GLOBAL STANDARD COMPONENTS



Assembly

08/13/07

B

Tolerances: METRIC

- 1 PLACE ± 0.3
- 2 PLACE ± 0.03
- 3 PLACE ± 0.020

✓ SURFACES TO BE FLAT, PARALLEL & PERPENDICULAR TO WITHIN 0.015mm T.I.R.

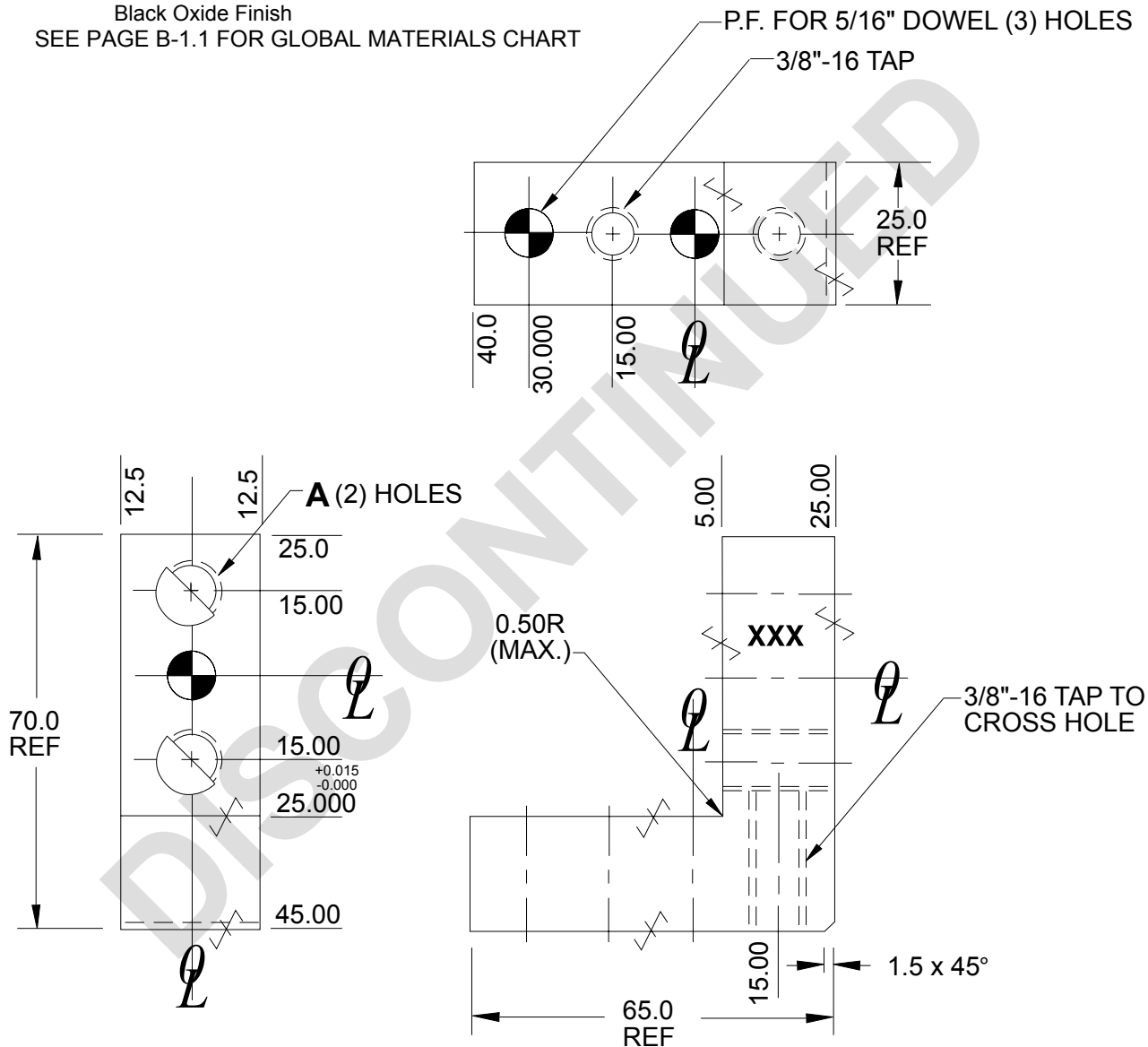
NOTE: Identify with NAAMS CODE number as shown **XXX**.

Black Oxide Finish

SEE PAGE B-1.1 FOR GLOBAL MATERIALS CHART

D

A



NAAMS CODE	A	MATERIAL
ALB010	3/8 -16 tap	STEEL ASTM A-36
ALB011	3/8 -16 tap	NM Stainless
ALB012	13/32	STEEL ASTM A-36
ALB013	13/32	NM Stainless

C

L BLOCK

ALB020, 021, 022 AND 023

GLOBAL STANDARD COMPONENTS



Assembly

02/12/14

Tolerances: METRIC

1 PLACE ± 0.3

2 PLACE ± 0.03

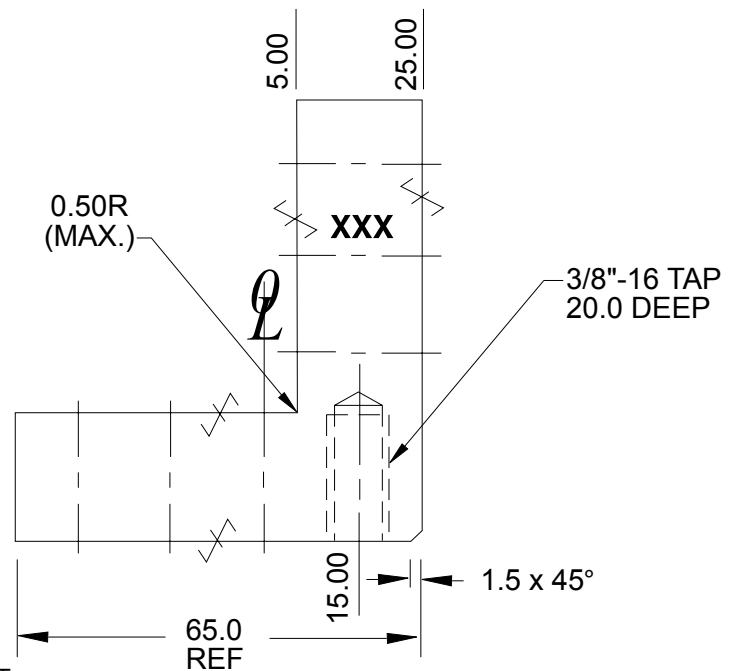
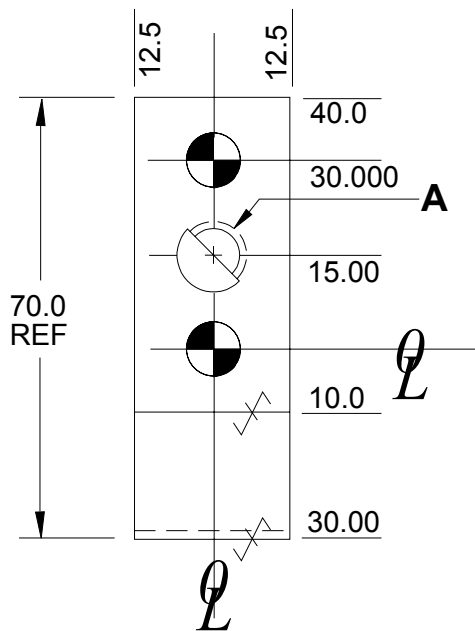
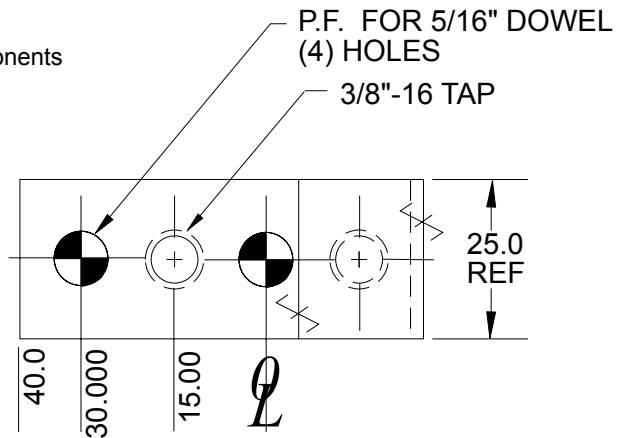
3 PLACE ± 0.020

✓ SURFACES TO BE FLAT, PARALLEL & PERPENDICULAR TO WITHIN 0.015mm T.I.R.

NOTE: Identify with NAAMS CODE number as shown **XXX**.

Black Oxide Finish

No Black Oxide Finish to "SS Type" Components



SEE PAGE B-1.1 FOR GLOBAL MATERIALS CHART

NAAMS CODE	A	MATERIAL	WT. kg
ALB020	3/8 -16 tap	STEEL ASTM A-36	0.45
ALB021	3/8 -16 tap	SS type 303 or 304	0.45
ALB022	13/32	STEEL ASTM A-36	0.45
ALB023	13/32	SS type 303 or 304	0.45

A

F

E

B

C

D

L BLOCK

ALB040, 041, 042 and 043

GLOBAL STANDARD COMPONENTS



Assembly

08/13/07

B

Tolerances: METRIC

1 PLACE ± 0.3

2 PLACE ± 0.03

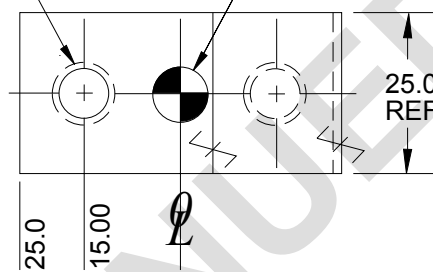
3 PLACE ± 0.020

✓ SURFACES TO BE FLAT, PARALLEL & PERPENDICULAR TO WITHIN 0.015mm T.I.R.

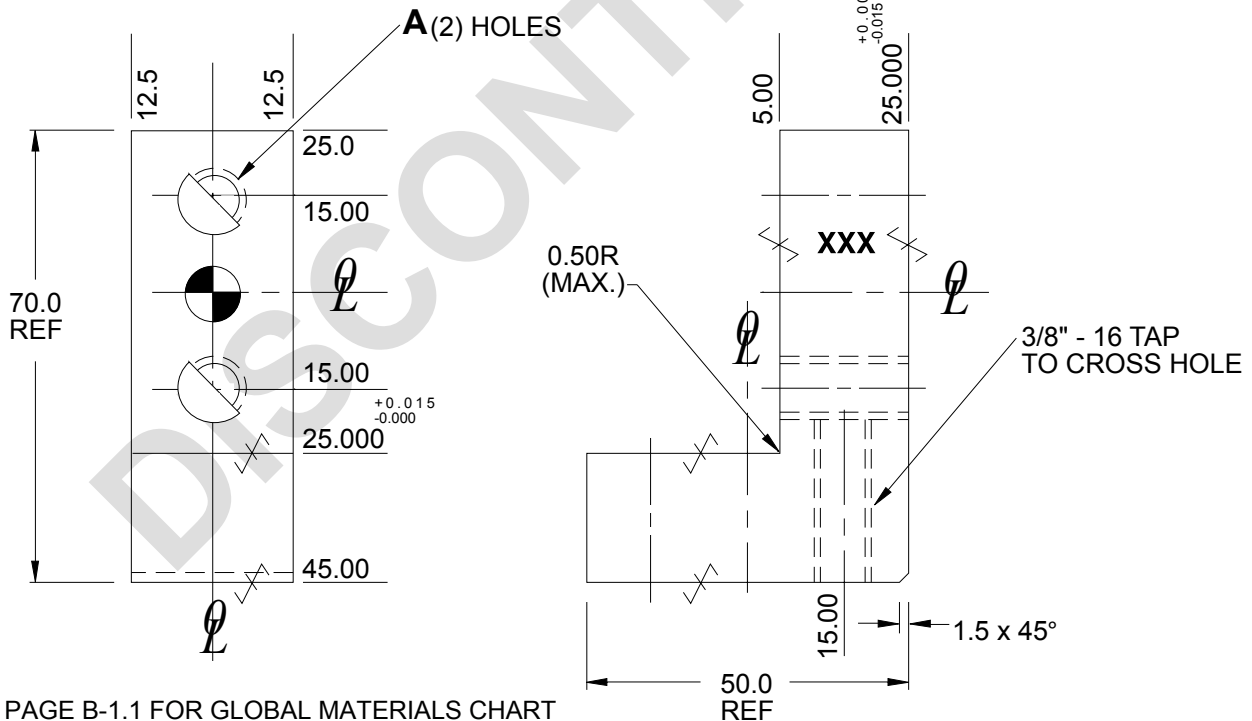
NOTE: Identify with NAAMS CODE number as shown **XXX**.

Black Oxide Finish 3/8" - 16 TAP

P.F. FOR 5/16" DOWEL (2) HOLES



A



SEE PAGE B-1.1 FOR GLOBAL MATERIALS CHART

NAAMS CODE	A	MATERIAL
ALB040	3/8 -16 tap	STEEL ASTM A-36
ALB041	3/8 -16 tap	NM Stainless
ALB042	13/32	STEEL ASTM A-36
ALB043	13/32	NM Stainless

D

C

L BLOCK

ALB050, 051, 060 and 061

GLOBAL STANDARD COMPONENTS



Assembly

02/12/14

Tolerances: METRIC

1 PLACE ± 0.3

2 PLACE ± 0.03

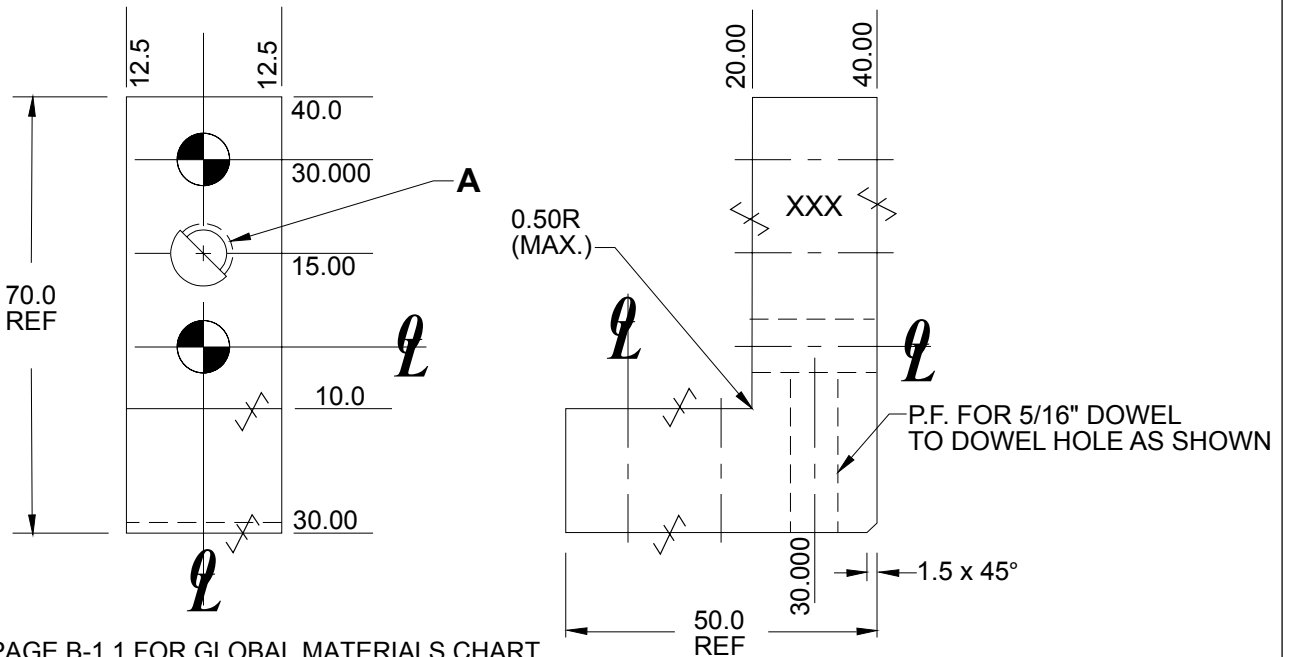
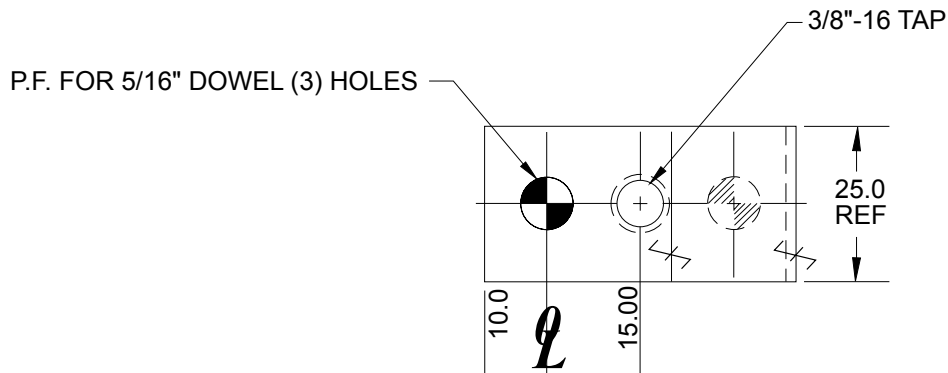
3 PLACE ± 0.020

✓ SURFACES TO BE FLAT, PARALLEL & PERPENDICULAR TO WITHIN 0.015mm T.I.R.

NOTE: Identify with NAAMS CODE number as shown **XXX**.

Black Oxide Finish

No Black Oxide Finish to "SS Type" Components



SEE PAGE B-1.1 FOR GLOBAL MATERIALS CHART

NAAMS CODE	A	MATERIAL	WT. kg
ALB050	3/8 -16 tap	STEEL ASTM A-36	0.32
ALB051	3/8 -16 tap	SS type 303 or 304	0.32
ALB060	13/32	STEEL ASTM A-36	0.32
ALB061	13/32	SS type 303 or 304	0.32

A
F

E
B
C
D

L BLOCK

ALB070, 071, 080 and 081

GLOBAL STANDARD COMPONENTS



Assembly

02/12/14

Tolerances: METRIC

1 PLACE ± 0.3

2 PLACE ± 0.03

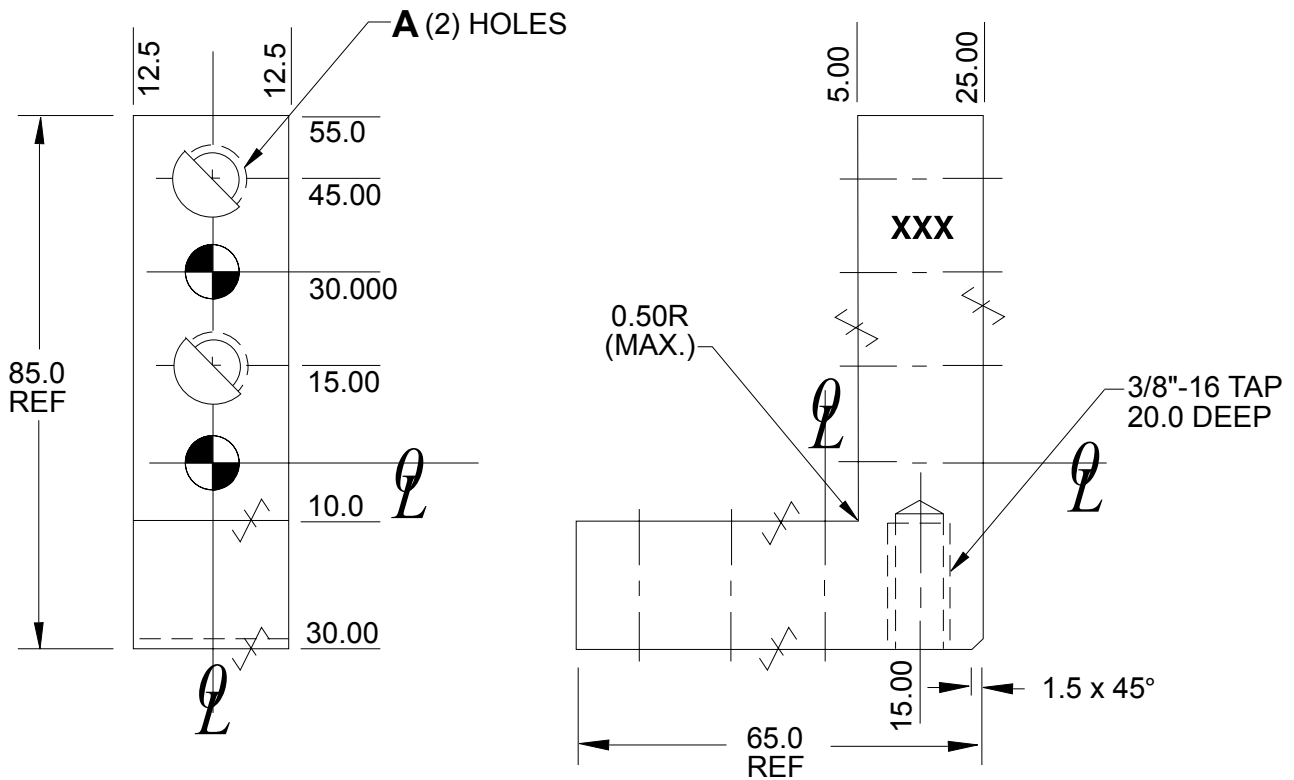
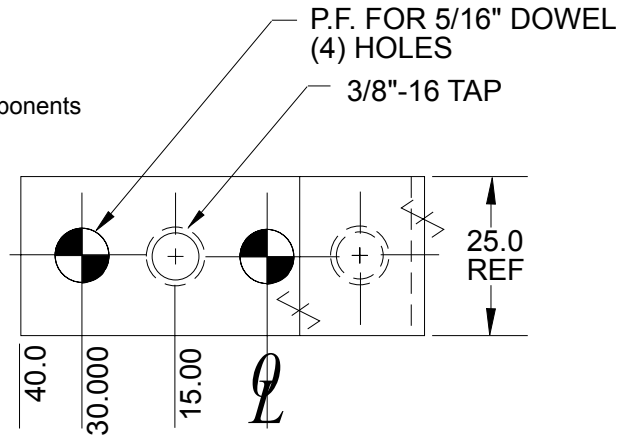
3 PLACE ± 0.020

✓ SURFACES TO BE FLAT, PARALLEL & PERPENDICULAR TO WITHIN 0.015mm T.I.R.

NOTE: Identify with NAAMS CODE number as shown **XXX**.

Black Oxide Finish

No Black Oxide Finish to "SS Type" Components



SEE PAGE B-1.1 FOR GLOBAL MATERIALS CHART

NAAMS CODE	A	MATERIAL	WT. kg
ALB070	13/32	STEEL ASTM A-36	0.45
ALB071	13/32	SS type 303 or 304	0.45
ALB080	3/8 -16 tap	STEEL ASTM A-36	0.45
ALB081	3/8 -16 tap	SS type 303 or 304	0.45

A

F

E

B

C

D

L BLOCK

ALB090, 091, 092 and 093

GLOBAL STANDARD COMPONENTS



Assembly

08/13/07

B

Tolerances: METRIC

1 PLACE ± 0.3

2 PLACE ± 0.03

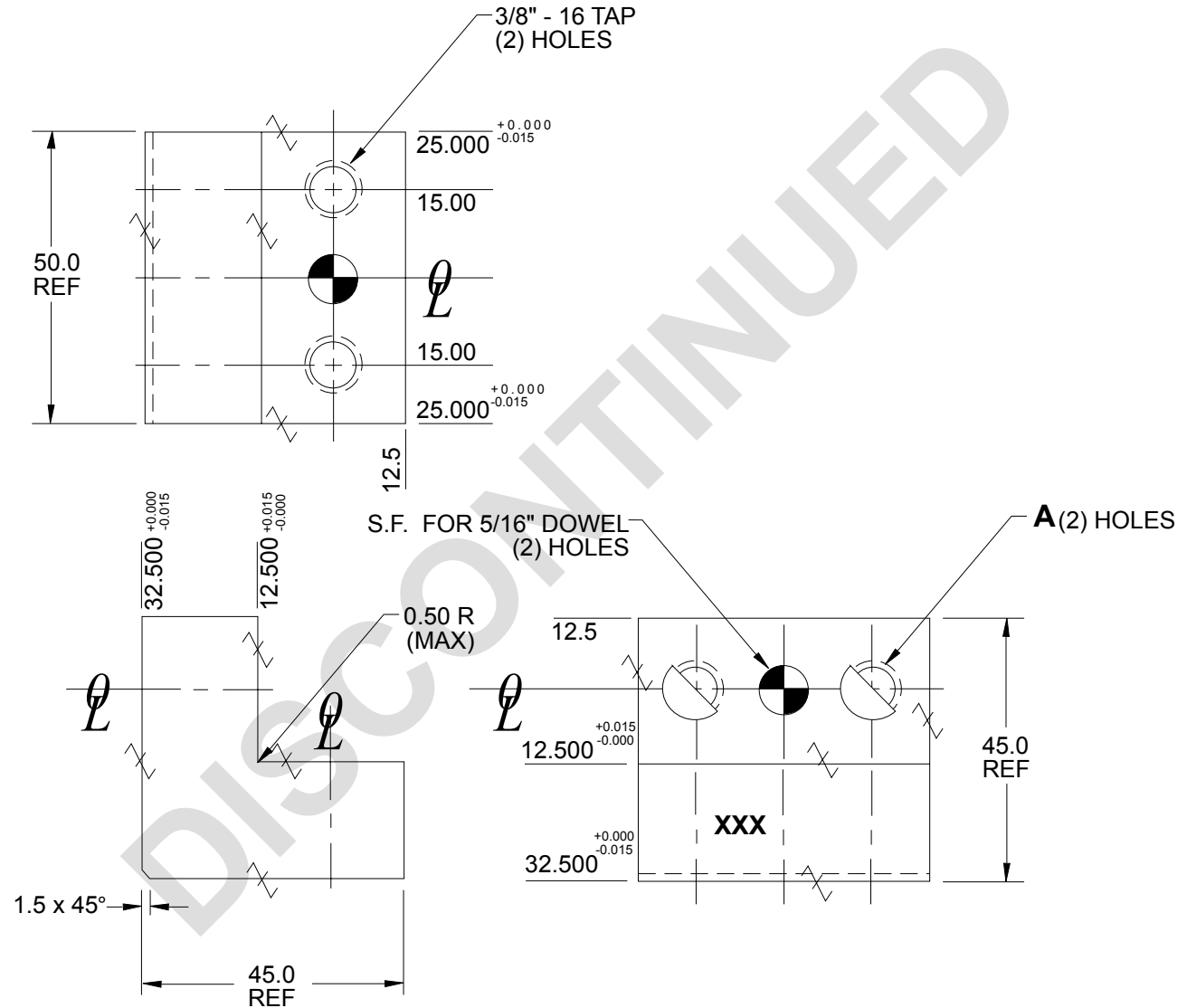
3 PLACE ± 0.020

SURFACES TO BE FLAT, PARALLEL & PERPENDICULAR TO WITHIN 0.015mm T.I.R.

NOTE: Identify with NAAMS CODE number as shown **XXX**.

Black Oxide Finish

A



SEE PAGE B-1.1 FOR GLOBAL MATERIALS CHART

NAAMS CODE	A	MATERIAL
ALB090	3/8 - 16 tap	STEEL ASTM A-36
ALB091	3/8 - 16 tap	NM Stainless
ALB092	13/32	STEEL ASTM A-36
ALB093	13/32	NM Stainless

D

C

L BLOCK

ALB100, 101, 102 AND 103

GLOBAL STANDARD COMPONENTS



Assembly

02/12/14

Tolerances: METRIC

1 PLACE ± 0.3

2 PLACE ± 0.03

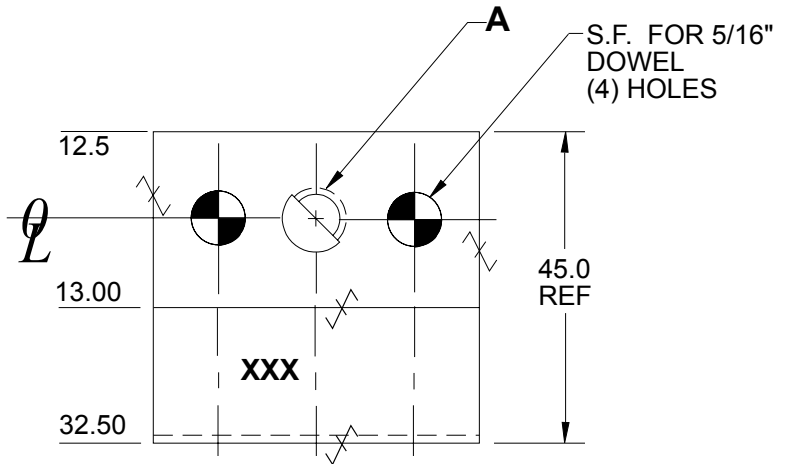
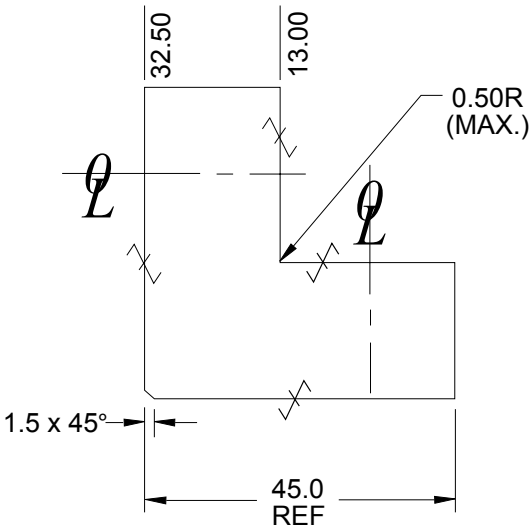
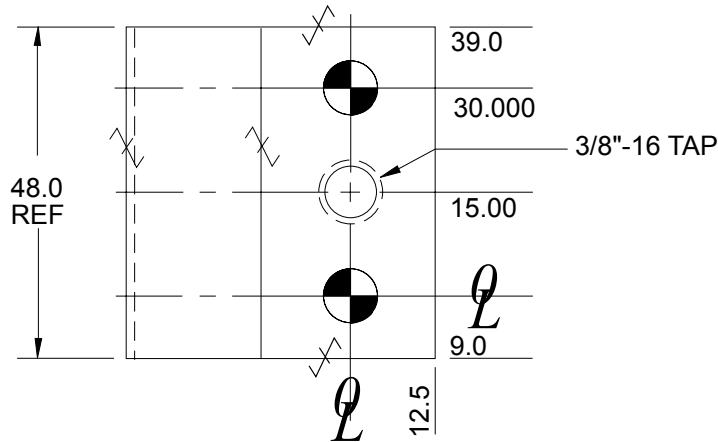
3 PLACE ± 0.020

SURFACES TO BE FLAT, PARALLEL & PERPENDICULAR TO WITHIN 0.015mm T.I.R.

NOTE: Identify with NAAMS CODE number as shown **XXX**.

Black Oxide Finish

No Black Oxide Finish to "SS Type" Components



SEE PAGE B-1.1 FOR GLOBAL MATERIALS CHART

NAAMS CODE	A	MATERIAL	WT. kg
ALB100	3/8 -16 tap	STEEL ASTM A-36	0.45
ALB101	3/8 -16 tap	SS type 303 or 304	0.45
ALB102	13/32	STEEL ASTM A-36	0.45
ALB103	13/32	SS type 303 or 304	0.45

A
G

F
B
C
D
E

L BLOCK ALB110, 111, 112 AND 113

GLOBAL STANDARD COMPONENTS



Assembly

02/12/14

Tolerances: METRIC

1 PLACE ± 0.3

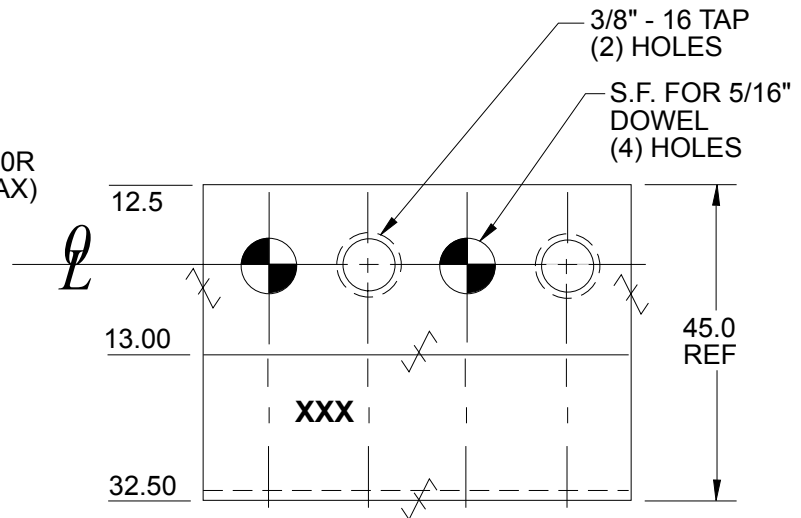
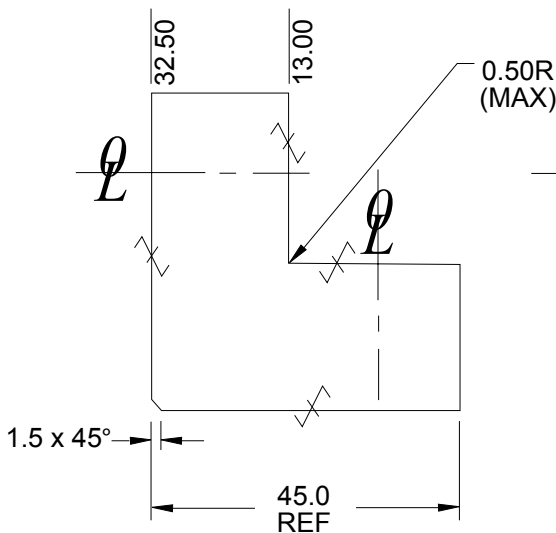
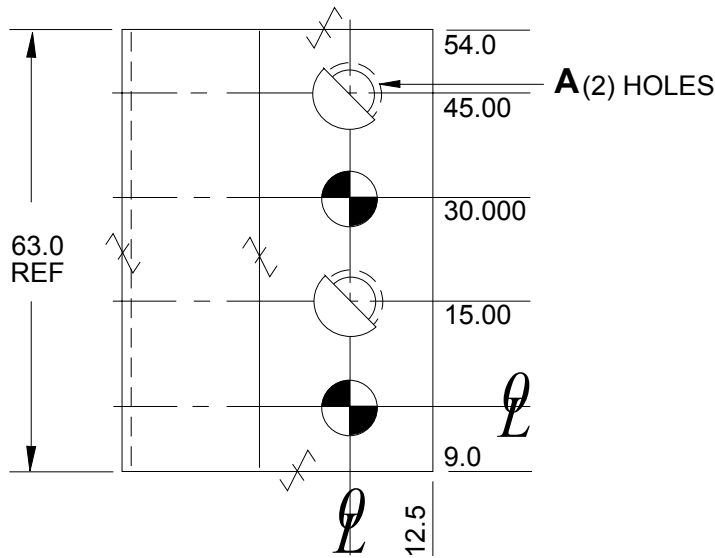
2 PLACE ± 0.03

3 PLACE ± 0.020

SURFACES TO BE FLAT, PARALLEL & PERPENDICULAR TO WITHIN 0.015mm T.I.R.
NOTE: Identify with NAAMS CODE number as shown **XXX**.

Black Oxide Finish

No Black Oxide Finish to "SS Type" Components



A
G

SEE PAGE B-1.1 FOR GLOBAL MATERIALS CHART

NAAMS CODE	A	MATERIAL	NOTE	WT. kg
ALB110	3/8 -16 tap	STEEL ASTM A-36	For Right and Left Hand Use	0.59
ALB111	3/8 -16 tap	SS type 303 or 304	For Right and Left Hand Use	0.59
ALB112	13/32	STEEL ASTM A-36	For Opposite Hand See ALB 115	0.59
ALB113	13/32	SS type 303 or 304	For Opposite Hand See ALB116	0.59

F
B
C
D
E

L BLOCK ALB115 AND 116

GLOBAL STANDARD COMPONENTS



Assembly

02/12/14

Tolerances: METRIC

1 PLACE ± 0.3

2 PLACE ± 0.03

3 PLACE ± 0.020

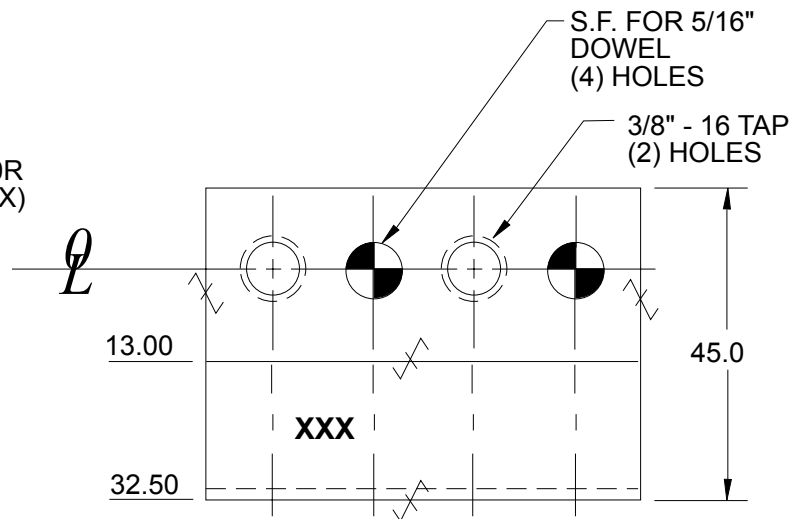
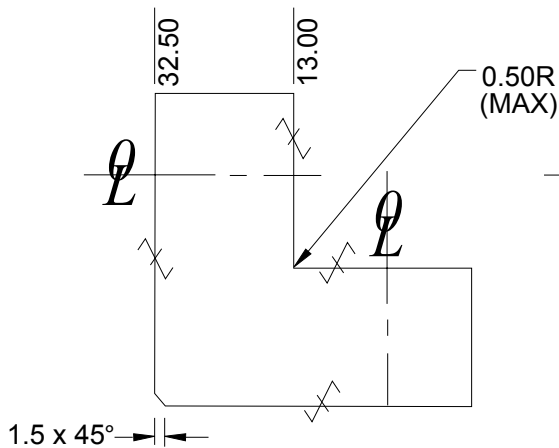
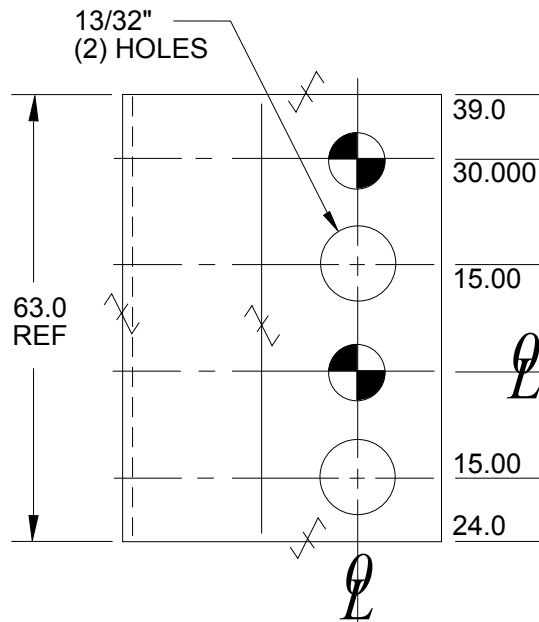
SURFACES TO BE FLAT, PARALLEL & PERPENDICULAR TO WITHIN 0.015mm T.I.R.
NOTE: Identify with NAAMS CODE number as shown **XXX**.

Black Oxide Finish

No Black Oxide Finish to "SS Type" Components

A

F



SEE PAGE B-1.1 FOR GLOBAL MATERIALS CHART

NAAMS CODE	MATERIAL	NOTE	WT. kg
ALB115	STEEL ASTM A-36	For Opposite Hand See ALB 112	0.59
ALB116	SS type 303 or 304	For Opposite Hand See ALB 113	0.59

E

B

C

D

L BLOCK

ALB120, 121, 122 AND 123

GLOBAL STANDARD COMPONENTS



Assembly

08/13/07

B

Tolerances: METRIC

1 PLACE ± 0.3

2 PLACE ± 0.03

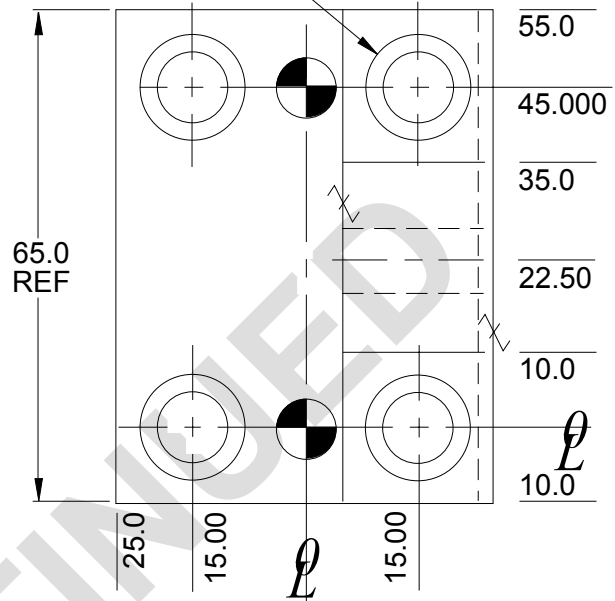
3 PLACE ± 0.020

✓ SURFACES TO BE FLAT, PARALLEL & PERPENDICULAR TO WITHIN 0.015mm T.I.R.

NOTE: Identify with NAAMS CODE number as shown **XXX**.

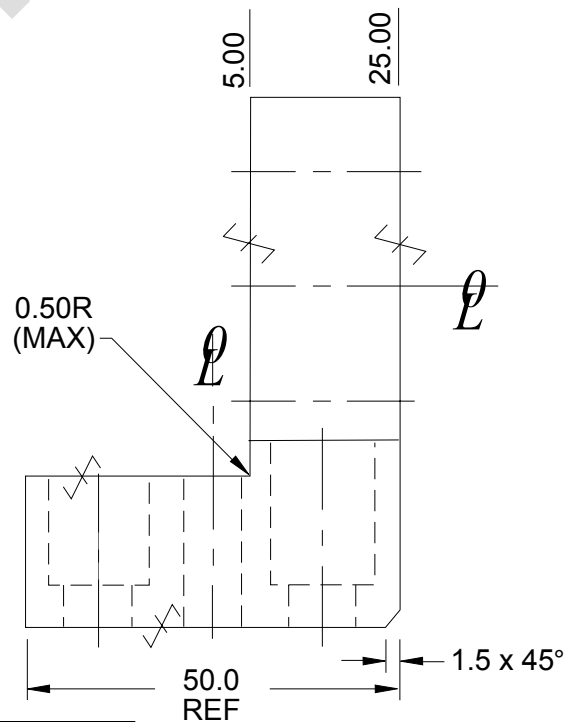
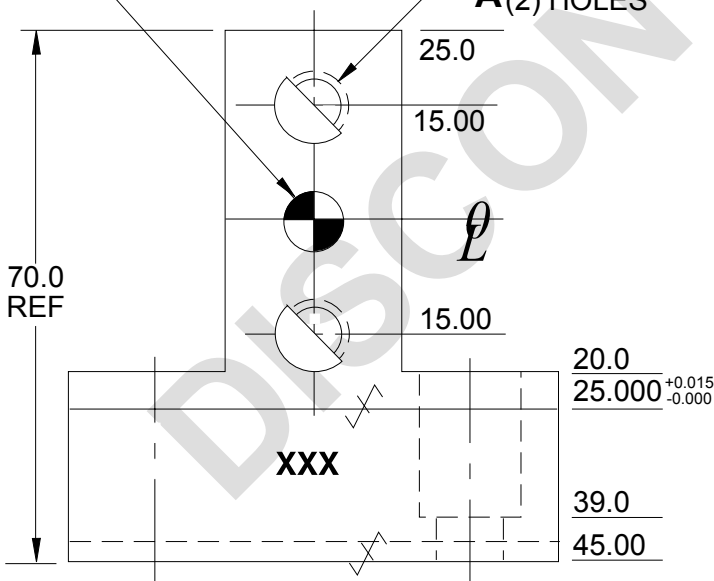
Black Oxide Finish

DRILL & C'BORE FOR 3/8" SOC. HD. SCR. (4) HOLES AS SHN.



A

P.F. FOR 5/16" DOWEL (3) HOLES
A(2) HOLES



SEE PAGE B-1.1 FOR GLOBAL MATERIALS CHART

NAAMS CODE	A	MATERIAL
ALB120	3/8 -16 tap	STEEL ASTM A-36
ALB121	3/8 -16 tap	NM Stainless
ALB122	13/32	STEEL ASTM A-36
ALB123	13/32	NM Stainless

C

D

L BLOCK ALB130, 131, 132 AND 133

GLOBAL STANDARD COMPONENTS



Assembly

02/12/14

Tolerances: METRIC

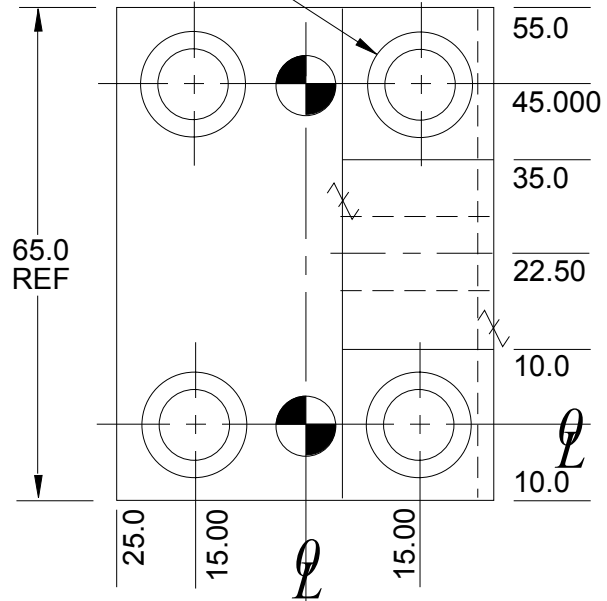
- 1 PLACE ± 0.3
- 2 PLACE ± 0.03
- 3 PLACE ± 0.020

✓ SURFACES TO BE FLAT, PARALLEL & PERPENDICULAR TO WITHIN 0.015mm T.I.R.
NOTE: Identify with NAAMS CODE number as shown **XXX**.

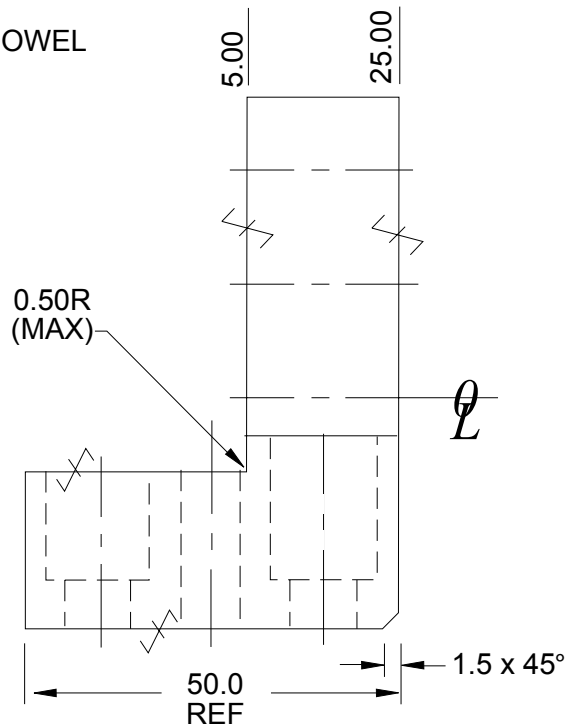
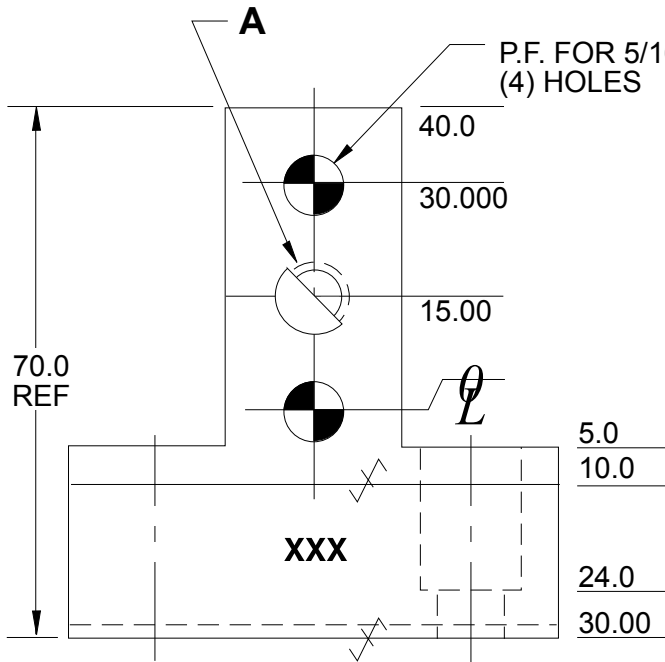
Black Oxide Finish

No Black Oxide Finish to "SS Type" Components

DRILL & C'BORE FOR
3/8" SOC. HD. SCR
(4) HOLES AS SHN.



A
G



SEE PAGE B-1.1 FOR GLOBAL MATERIALS CHART

NAAMS CODE	A	MATERIAL	WT. kg
ALB130	3/8 -16 tap	STEEL ASTM A-36	0.59
ALB131	3/8 -16 tap	SS type 303 or 304	0.59
ALB132	13/32	STEEL ASTM A-36	0.59
ALB133	13/32	SS type 303 or 304	0.59

F
B
C
D
E

L BLOCK ALB140, 141, 150 AND 151

GLOBAL STANDARD COMPONENTS



Assembly

02/12/14

Tolerances: METRIC

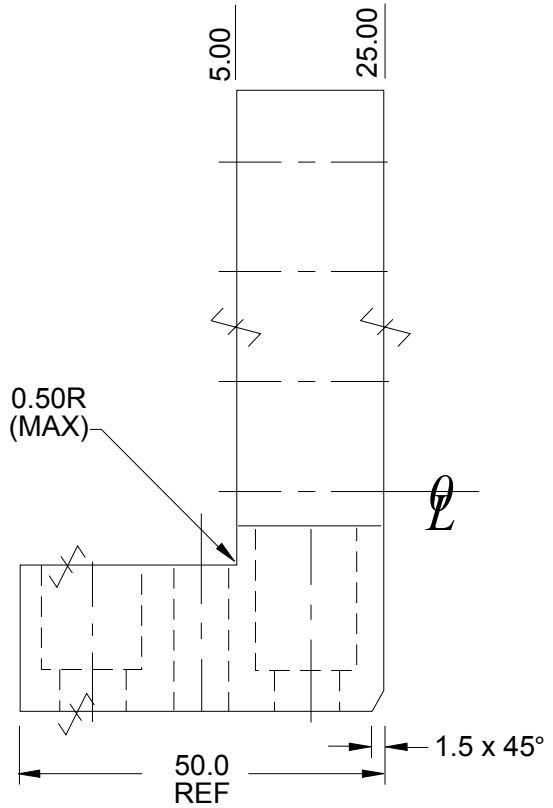
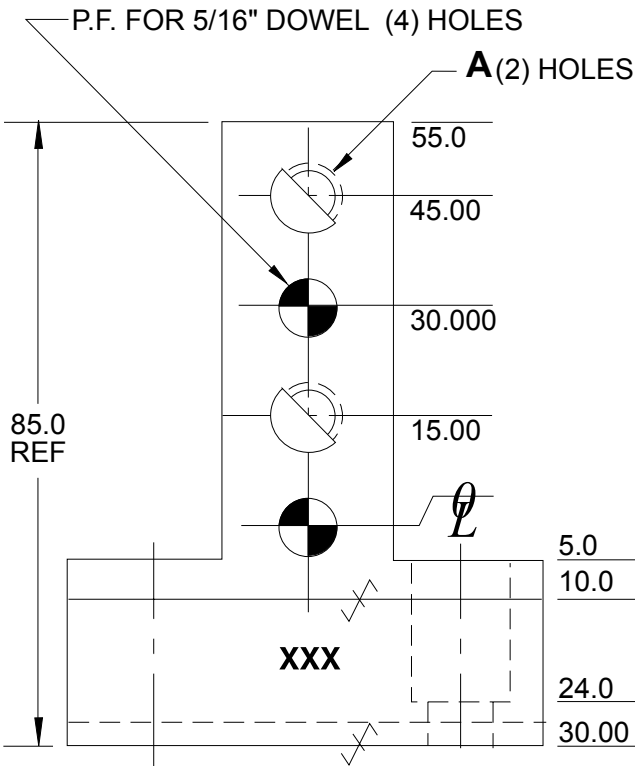
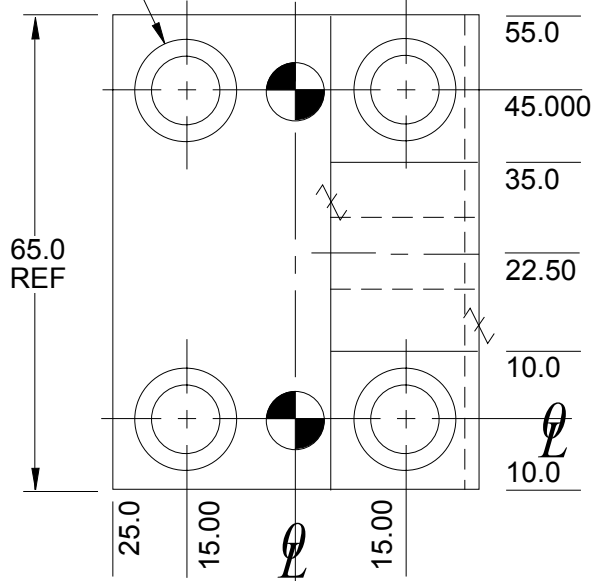
- 1 PLACE ± 0.3
- 2 PLACE ± 0.03
- 3 PLACE ± 0.020

✓ SURFACES TO BE FLAT, PARALLEL & PERPENDICULAR TO WITHIN 0.015mm T.I.R.
NOTE: Identify with NAAMS CODE number as shown **XXX**.

Black Oxide Finish

No Black Oxide Finish to "SS Type" Components

DRILL & C'BORE FOR 3/8" SOC. HD. SCR.
(4) HOLES AS SHN.



SEE PAGE B-1.1 FOR GLOBAL MATERIALS CHART

NAAMS CODE	A	MATERIAL	WT. kg
ALB140	13/32	STEEL ASTM A-36	0.63
ALB141	13/32	SS type 303 or 304	0.63
ALB150	3/8 -16 tap	STEEL ASTM A-36	0.63
ALB151	3/8 -16 tap	SS type 303 or 304	0.63

A
F

E
B
C
D

L BLOCK (SMALL) ALB240, 241

GLOBAL STANDARD COMPONENTS



Assembly

08/13/07

B
C
A

Tolerances: METRIC

- 1 PLACE ± 0.3
- 2 PLACE ± 0.03
- 3 PLACE ± 0.020

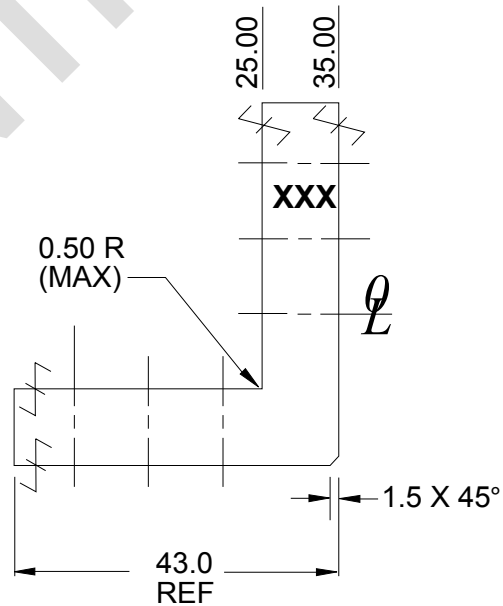
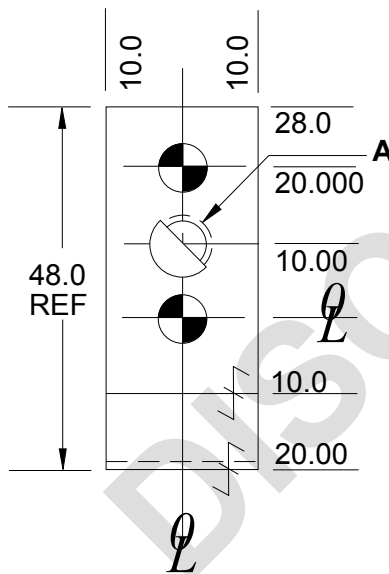
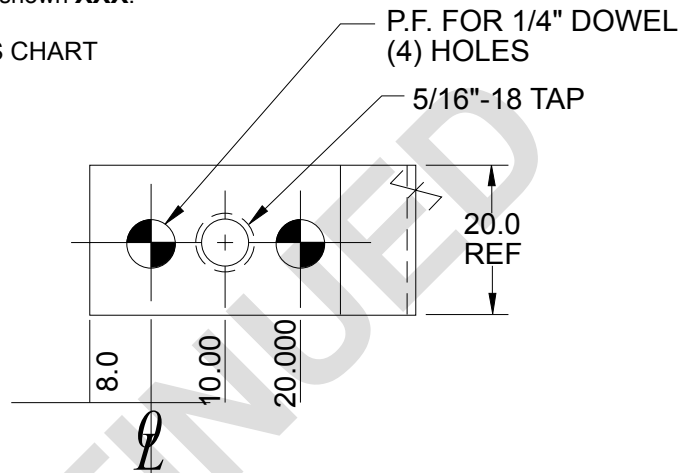
✓ SURFACES TO BE FLAT, PARALLEL & PERPENDICULAR TO WITHIN 0.015 T.I.R.

MATERIAL: STEEL ASTM A-36

NOTE: Identify with NAAMS CODE number as shown **XXX**.

Black Oxide Finish

SEE PAGE B-1.1 FOR GLOBAL MATERIALS CHART



NAAMS CODE	A
ALB 240	5/16 x 18 tap
ALB 241	11/32

L BLOCK (SMALL) ALB220, 221

GLOBAL STANDARD COMPONENTS



Assembly

08/13/07

B

Tolerances: METRIC

1 PLACE ± 0.3

2 PLACE ± 0.03

3 PLACE ± 0.020

✓ SURFACES TO BE FLAT, PARALLEL & PERPENDICULAR TO WITHIN 0.015 T.I.R.

MATERIAL: STEEL ASTM A-36

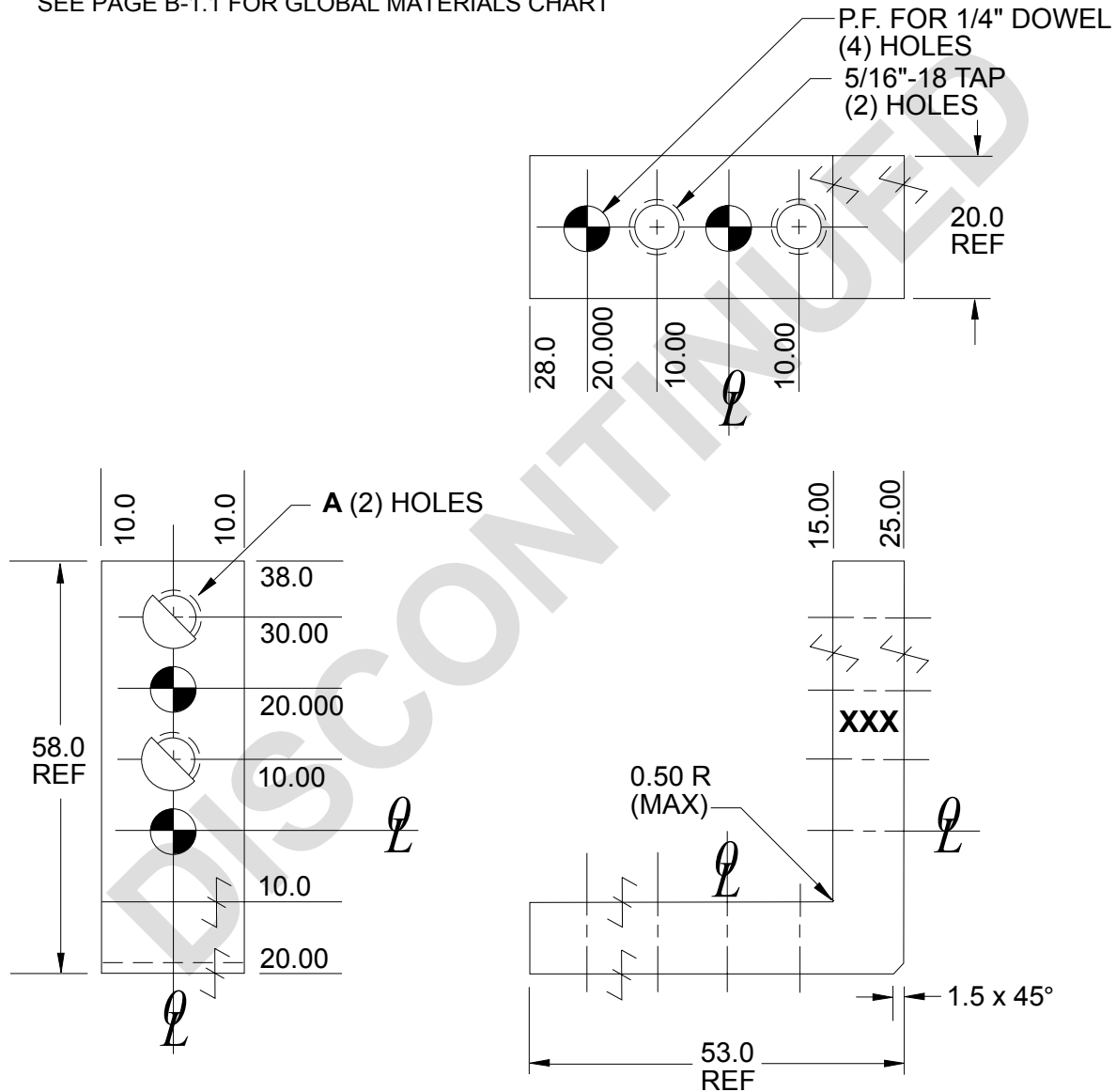
NOTE: Identify with NAAMS CODE number as shown **XXX**.

Black Oxide Finish

SEE PAGE B-1.1 FOR GLOBAL MATERIALS CHART

C

A



NAAMS CODE	A
ALB220	5/16 x 18 tap
ALB221	11/32

L BLOCK (SMALL)

ALB230, 231

GLOBAL STANDARD COMPONENTS



Assembly

08/13/07

B

Tolerances: METRIC

1 PLACE ± 0.3

2 PLACE ± 0.03

3 PLACE ± 0.020

SURFACES TO BE FLAT, PARALLEL & PERPENDICULAR TO WITHIN 0.015 T.I.R.

MATERIAL: STEEL ASTM A-36

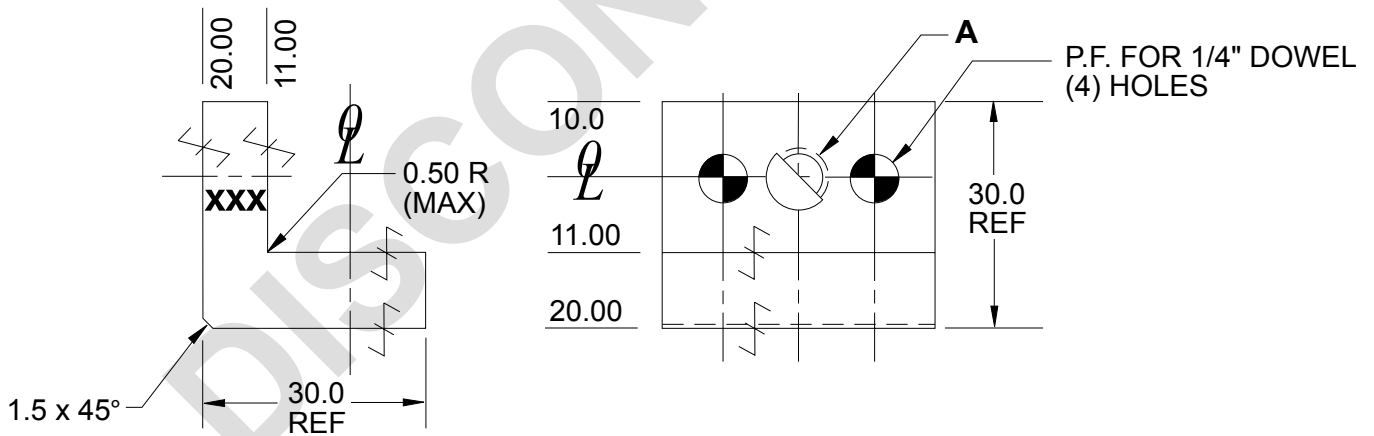
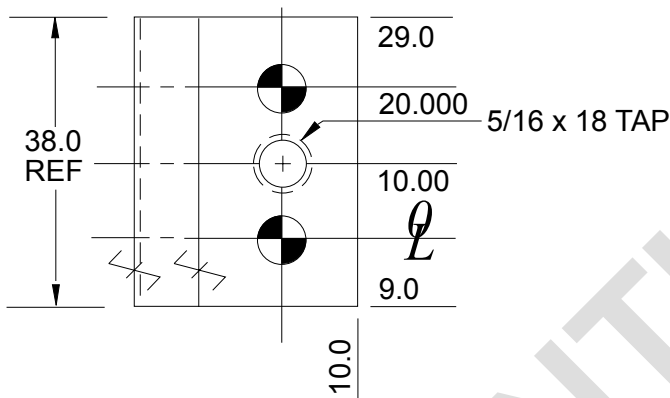
NOTE: Identify with NAAMS CODE number as shown **XXX**.

Black Oxide Finish

SEE PAGE B-1.1 FOR GLOBAL MATERIALS CHART

C

A



NAAMS CODE	A
ALB 230	5/16 x 18 TAP
ALB 231	11/32

L BLOCK (SMALL) ALB210 R/L, 211 R/L

GLOBAL STANDARD COMPONENTS



Assembly

08/13/07

B

Tolerances: METRIC

- 1 PLACE ± 0.3
- 2 PLACE ± 0.03
- 3 PLACE ± 0.020

✓ SURFACES TO BE FLAT, PARALLEL & PERPENDICULAR TO WITHIN 0.015 T.I.R.

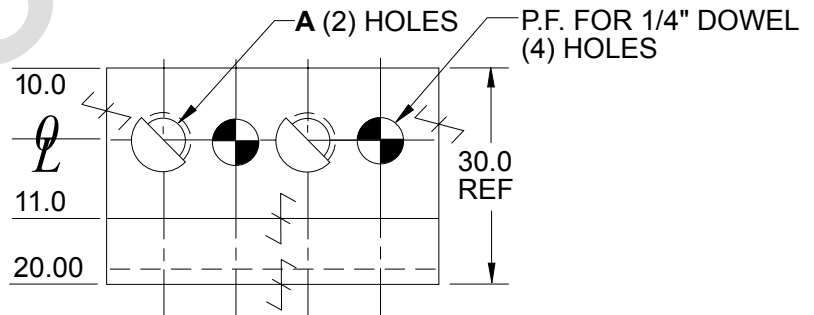
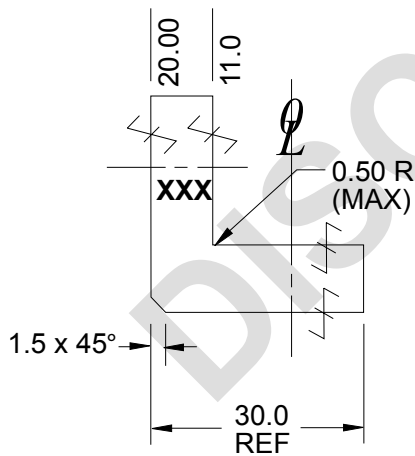
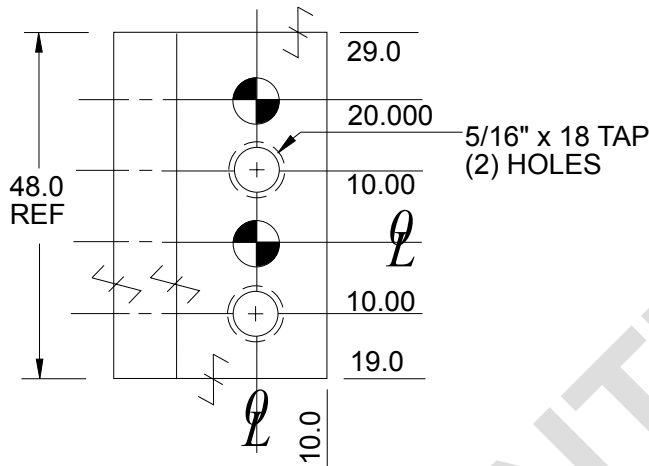
MATERIAL: STEEL ASTM A-36

NOTE: Identify with NAAMS CODE number as shown **XXX**.
Black Oxide Finish

SEE PAGE B-1.1 FOR GLOBAL MATERIALS CHART

C

A



NAAMS CODE		
SHOWN	OPPOSITE	A
ALB 210R	ALB210L	5/16 x 18 tap
ALB 211R	ALB211L	11/32

L BLOCK (SMALL)

ALB270, 271

GLOBAL STANDARD COMPONENTS



Assembly

08/13/07

B

Tolerances: METRIC

1 PLACE ± 0.3

2 PLACE ± 0.03

3 PLACE ± 0.020

✓ SURFACES TO BE FLAT, PARALLEL & PERPENDICULAR TO WITHIN 0.015 T.I.R.

MATERIAL: STEEL ASTM A-36

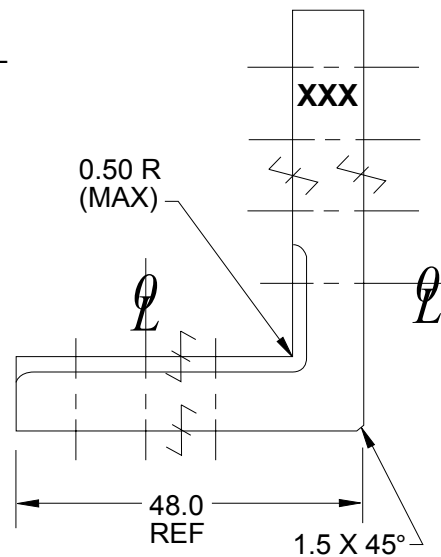
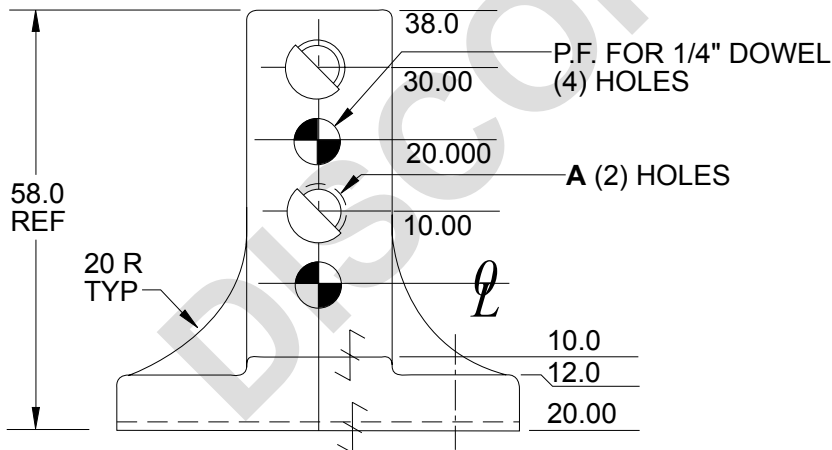
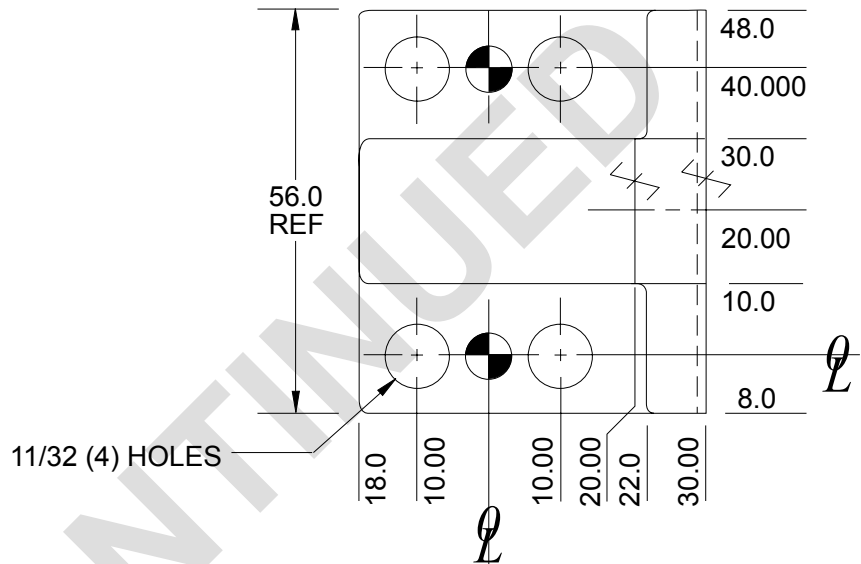
NOTE: Identify with NAAMS CODE number as shown **XXX**.

Black Oxide Finish

SEE PAGE B-1.1 FOR GLOBAL MATERIALS CHART

C

A



NAAMS CODE	A
ALB 270	5/16 x 18 tap
ALB 271	11/32

L BLOCK (SMALL) ALB280, 281

GLOBAL STANDARD COMPONENTS



Assembly

08/13/07

B

Tolerances: METRIC

- 1 PLACE ± 0.3
- 2 PLACE ± 0.03
- 3 PLACE ± 0.020

✓ SURFACES TO BE FLAT, PARALLEL & PERPENDICULAR TO WITHIN 0.015 T.I.R.

MATERIAL: STEEL ASTM A-36

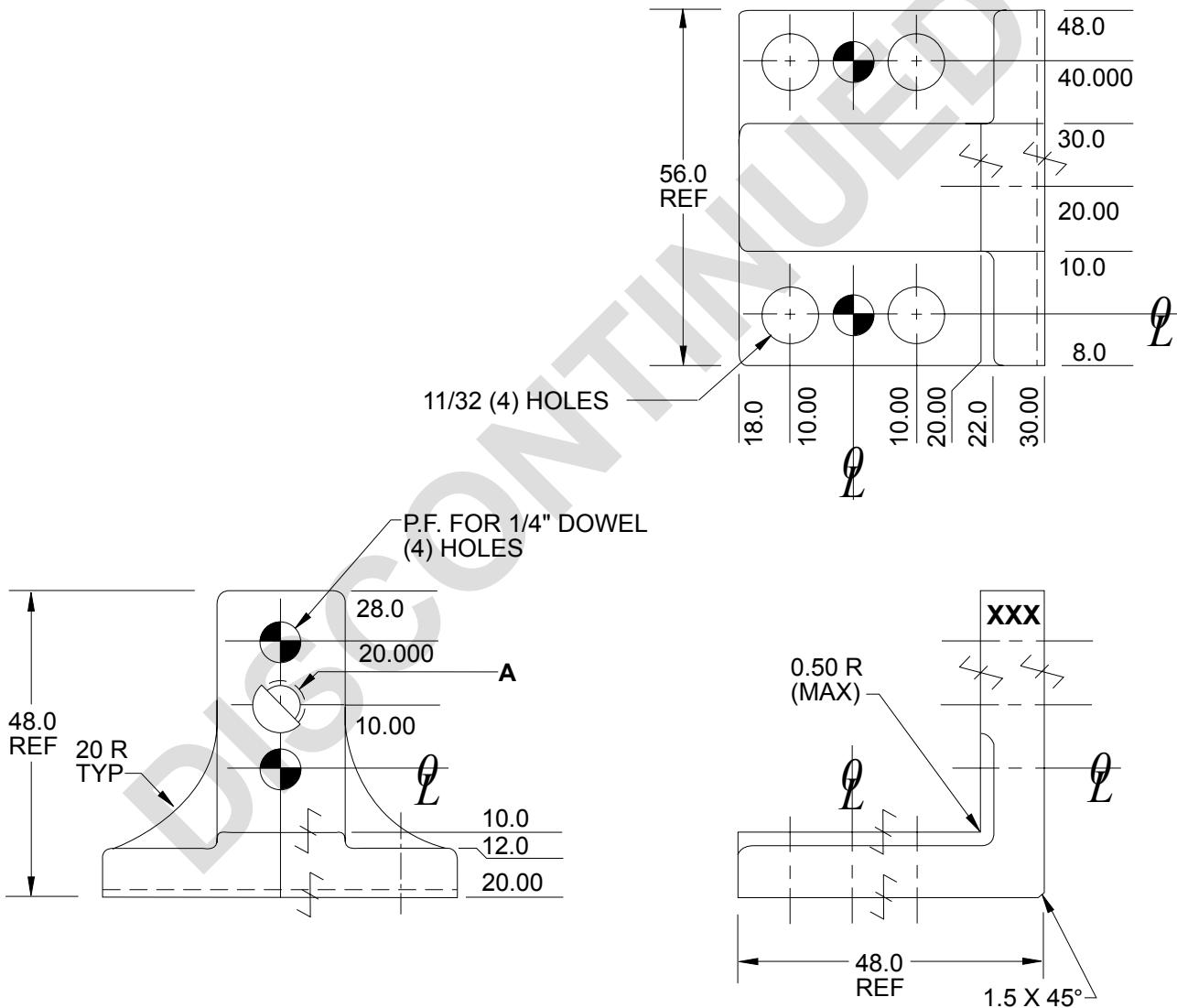
NOTE: Identify with NAAMS CODE number as shown **XXX**.

Black Oxide Finish

SEE PAGE B-1.1 FOR GLOBAL MATERIALS CHART

C

A



NAAMS CODE	A
ALB 280	5/16 x 18 tap
ALB 281	11/32

L BLOCK – 20 mm SERIES

ALB350M, 351M, 360M AND 361M (FULL METRIC)

GLOBAL STANDARD COMPONENTS



Assembly

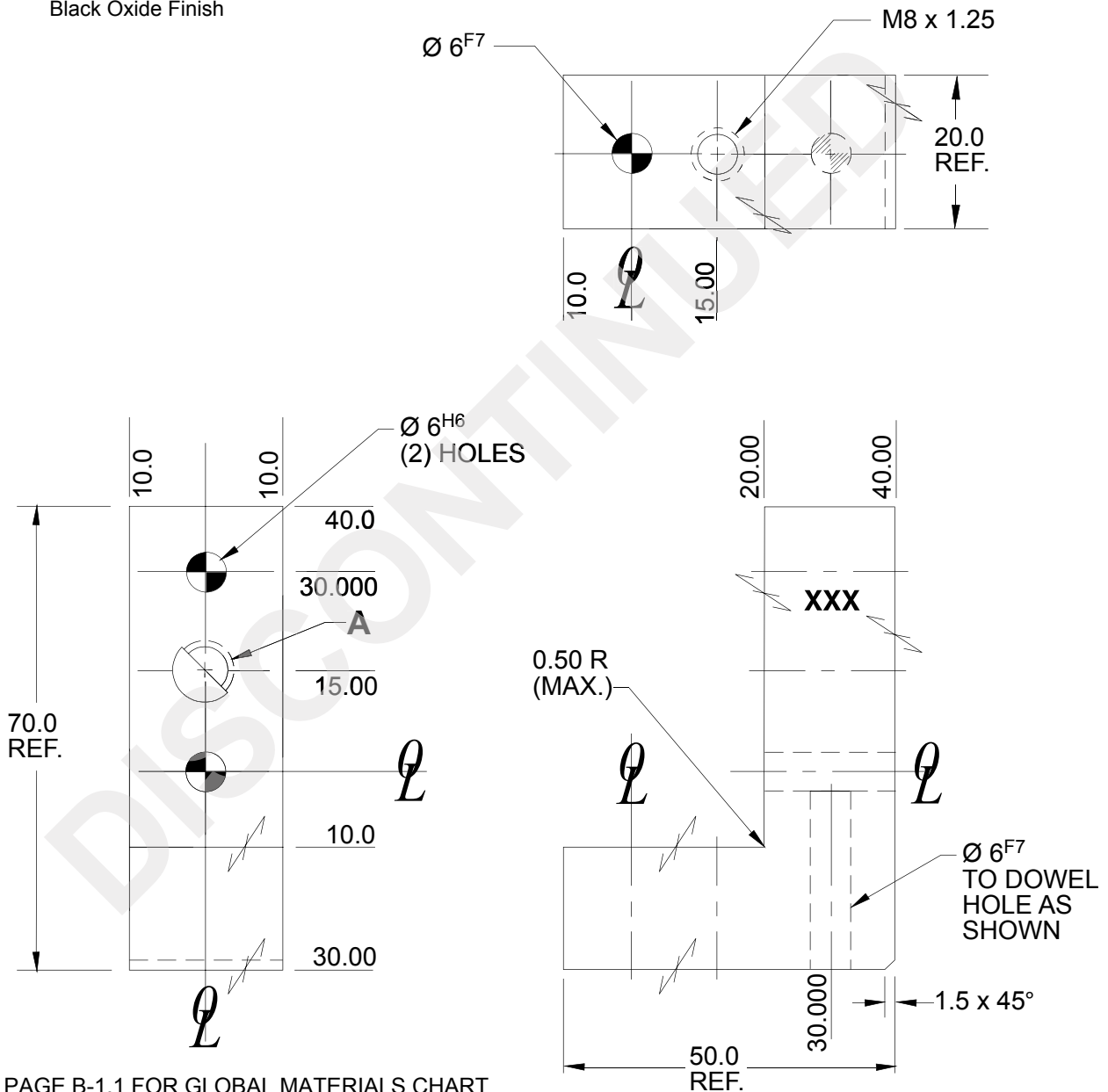
07/25/08

Tolerances:

- 1 PLACE ± 0.3
- 2 PLACE ± 0.03
- 3 PLACE ± 0.020

✓ SURFACES TO BE FLAT, PARALLEL & PERPENDICULAR TO WITHIN 0.015 T.I.R.

NOTE: Identify with NAAMS CODE number as shown **XXX**.
Black Oxide Finish



SEE PAGE B-1.1 FOR GLOBAL MATERIALS CHART

NAAMS CODE	A	MATERIAL
ALB350M	M8 x 1.25	STEEL ASTM A-36
ALB351M	M8 x 1.25	SS type 303 or 304
ALB360M	$\varnothing 9.0$	STEEL ASTM A-36
ALB361M	$\varnothing 9.0$	SS type 303 or 304

D

C

A

B

L BLOCK – 20 mm SERIES

ALB370M, 371M, 380M AND 381M (FULL METRIC)

GLOBAL STANDARD COMPONENTS



Assembly

02/12/14

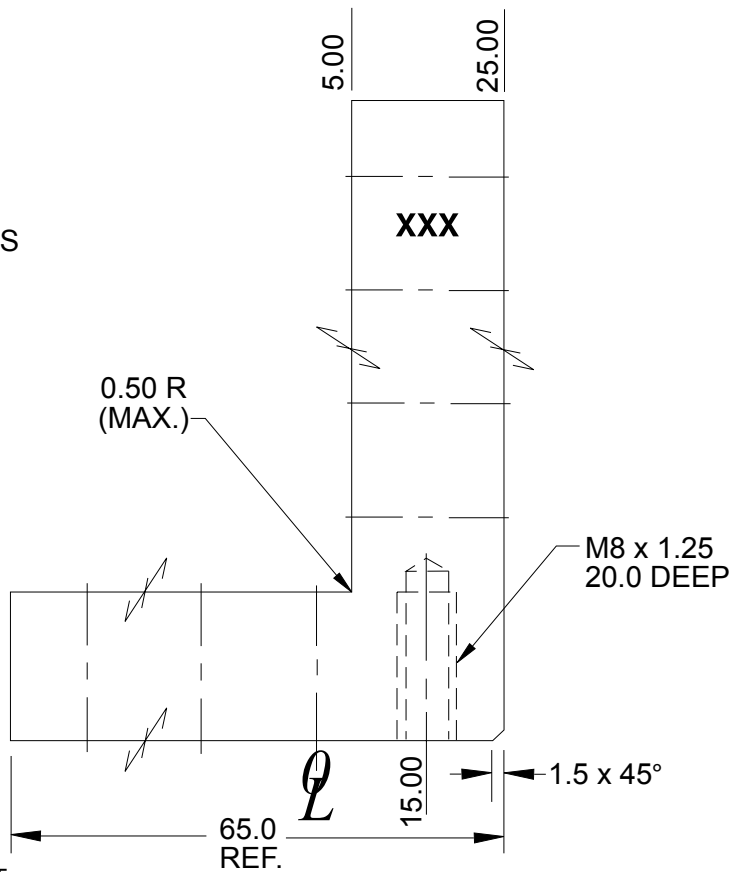
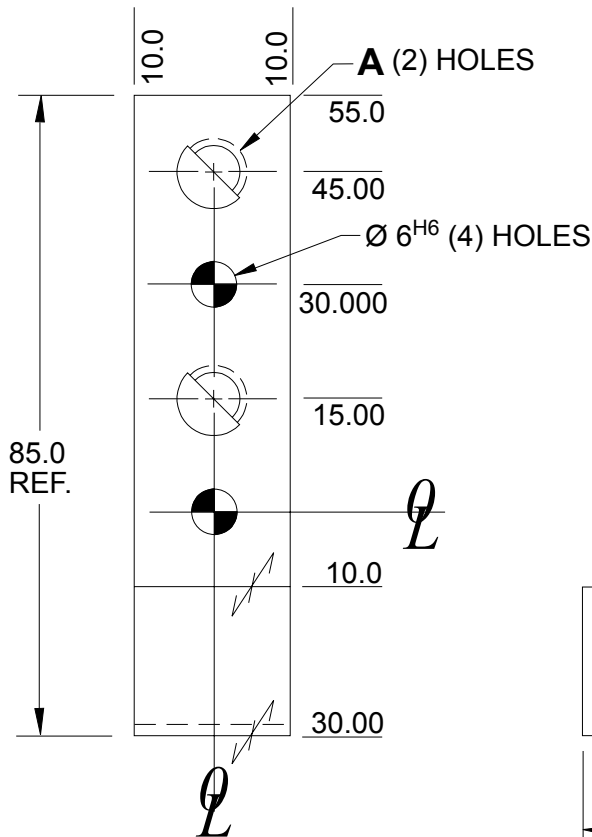
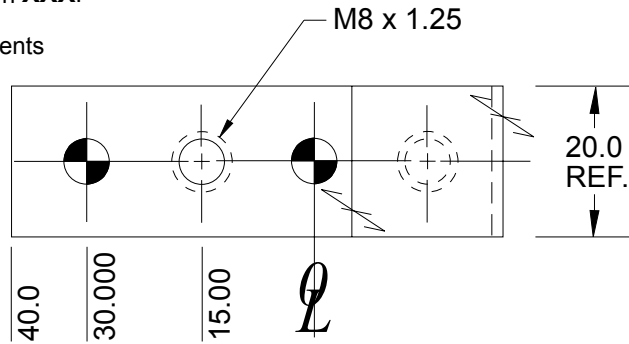
Tolerances:

- 1 PLACE ± 0.3
- 2 PLACE ± 0.03
- 3 PLACE ± 0.020

✓ SURFACES TO BE FLAT, PARALLEL & PERPENDICULAR TO WITHIN 0.015 T.I.R.

NOTE: Identify with NAAMS CODE number as shown **XXX**.
Black Oxide Finish
No Black Oxide Finish to "SS Type" Components

This document is Uncontrolled when printed.



SEE PAGE B-1.1 FOR GLOBAL MATERIALS CHART

NAAMS CODE	A	MATERIAL	WT. kg
ALB380M	M8 x 1.25	STEEL ASTM A-36	0.32
ALB381M	M8 x 1.25	SS type 303 or 304	0.32
ALB370M	$\varnothing 9.0$	STEEL ASTM A-36	0.32
ALB371M	$\varnothing 9.0$	SS type 303 or 304	0.32

F
E
D
A
B
C

L BLOCK – 20 mm SERIES

ALB400M, 401M, 402M AND 403M (FULL METRIC)

GLOBAL STANDARD COMPONENTS



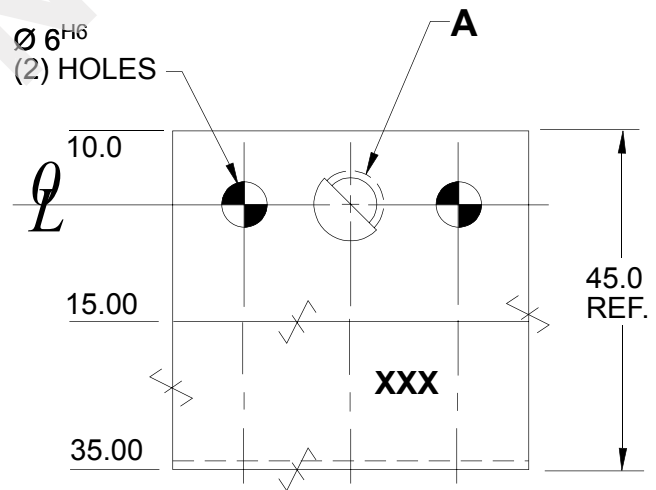
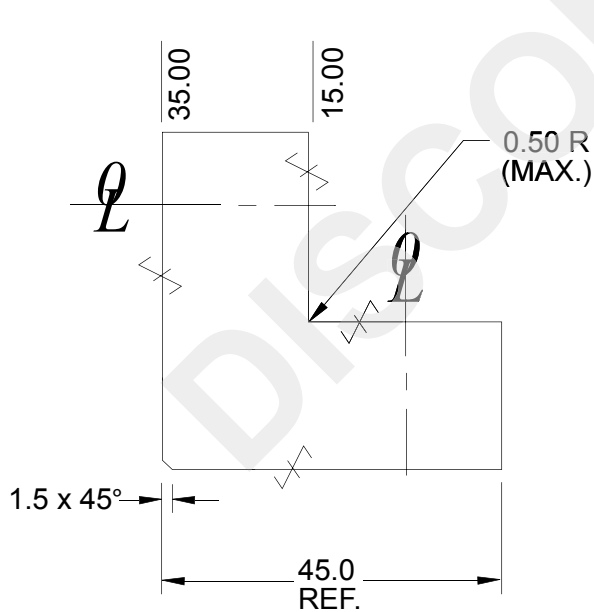
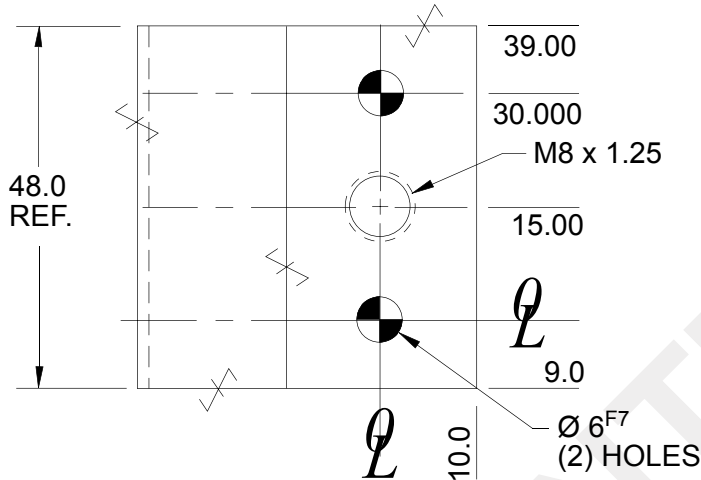
Assembly

09/05/12

Tolerances:

- 1 PLACE ± 0.3
- 2 PLACE ± 0.03
- 3 PLACE ± 0.020

✓ SURFACES TO BE FLAT, PARALLEL & PERPENDICULAR TO WITHIN 0.015 T.I.R.
NOTE: Identify with NAAMS CODE number as shown **XXX**.
Black Oxide Finish



SEE PAGE B-1.1 FOR GLOBAL MATERIALS CHART

NAAMS CODE	A	MATERIAL	WT. kg
ALB400M	M8 x 1.25	STEEL ASTM A-36	0.50
ALB401M	M8 x 1.25	SS type 303 or 304	0.50
ALB402M	Ø 9.0	STEEL ASTM A-36	0.50
ALB403M	Ø 9.0	SS type 303 or 304	0.50

E
F

D
A
B
C

L BLOCK – 20 mm SERIES

ALB410M, 411M, 412M AND 413M (FULL METRIC)

GLOBAL STANDARD COMPONENTS



Assembly

02/12/14

Tolerances:

- 1 PLACE ± 0.3
- 2 PLACE ± 0.03
- 3 PLACE ± 0.020

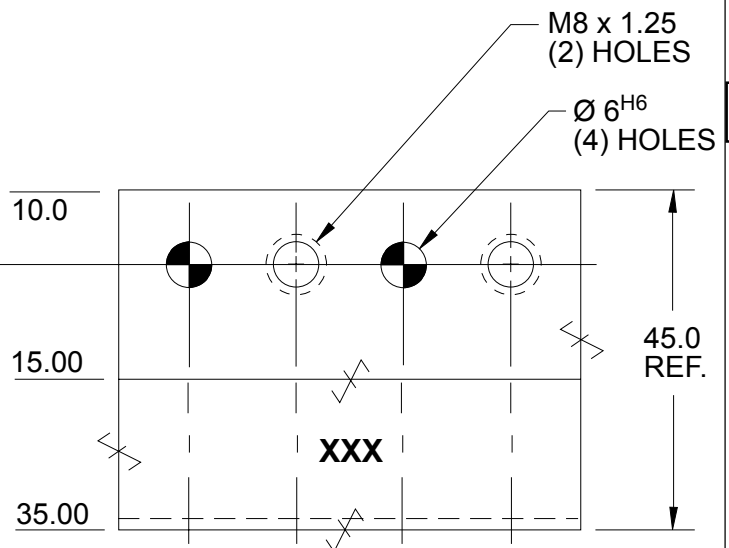
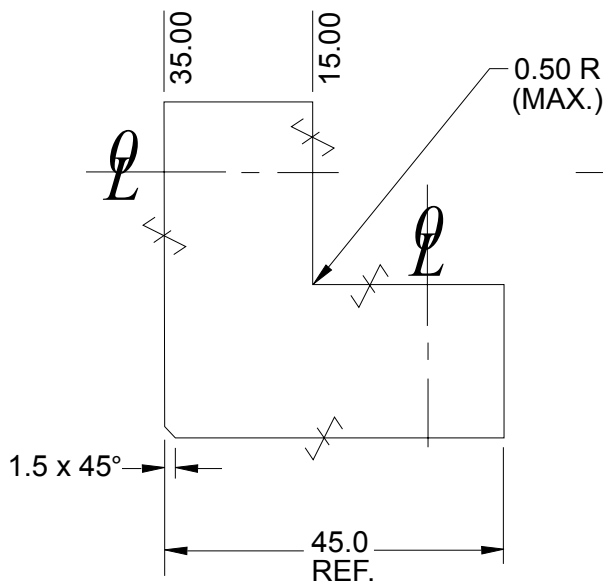
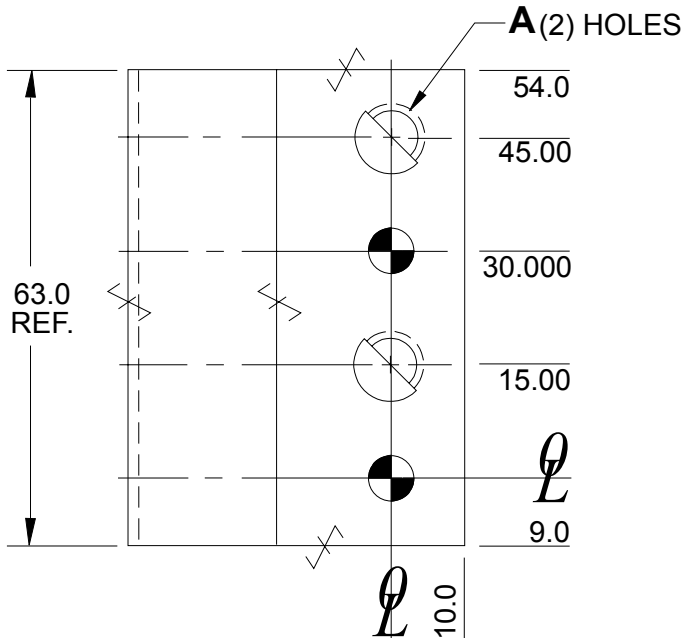
✓ SURFACES TO BE FLAT, PARALLEL & PERPENDICULAR TO WITHIN 0.015 T.I.R.

NOTE: Identify with NAAMS CODE number as shown **XXX**.

Black Oxide Finish

No Black Oxide Finish to "SS Type" Components

F



E

SEE PAGE B-1.1 FOR GLOBAL MATERIALS CHART

NAAMS CODE	A	MATERIAL	NOTE	WT. kg
ALB410M	M8 x 1.25	STEEL ASTM A-36	For Right and Left Hand Use	0.59
ALB411M	M8 x 1.25	SS type 303 or 304	For Right and Left Hand Use	0.59
ALB412M	Ø 9.0	STEEL ASTM A-36	For Opposite Hand See ALB415M	0.59
ALB413M	Ø 9.0	SS type 303 or 304	For Opposite Hand See ALB416M	0.59

D

A

B

C


L BLOCK – 20 mm SERIES

ALB415M, 416M

(FULL METRIC)

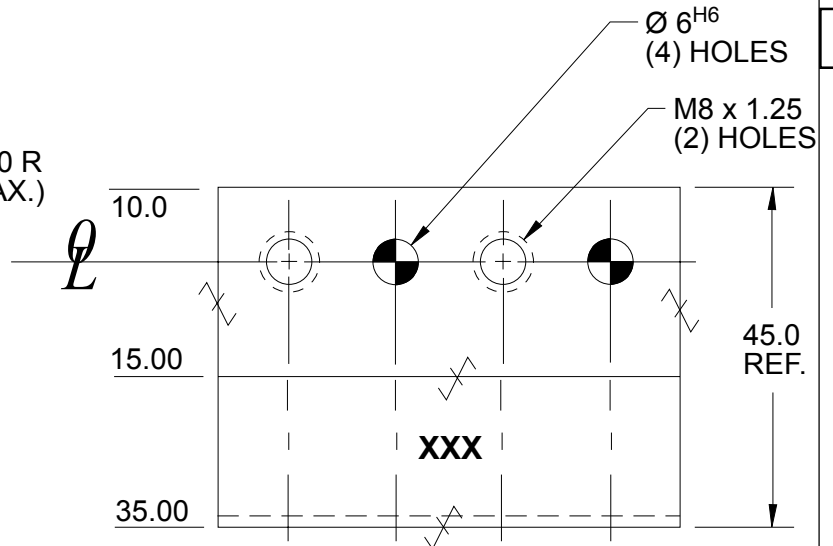
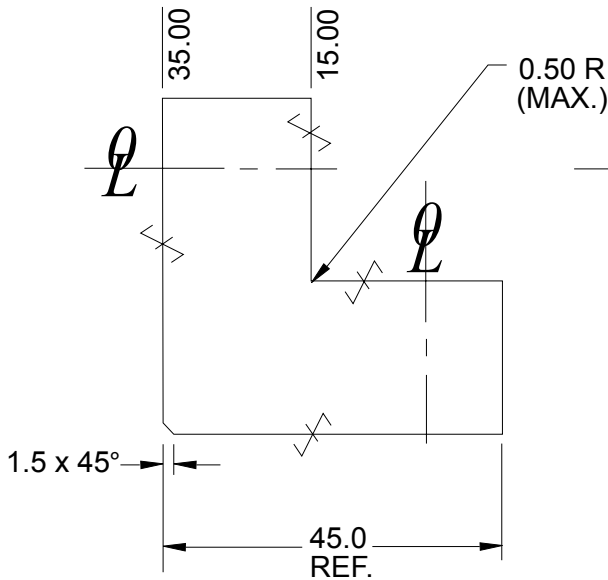
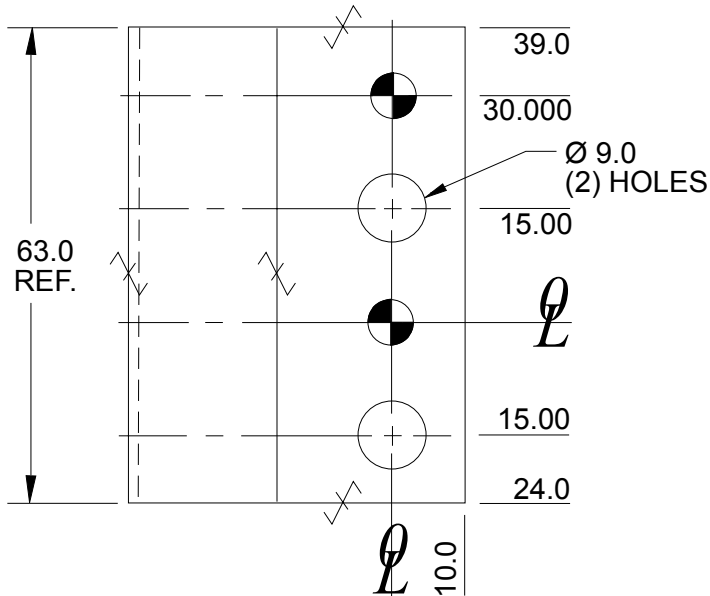
Tolerances:

- 1 PLACE ± 0.3
- 2 PLACE ± 0.03
- 3 PLACE ± 0.020

 SURFACES TO BE FLAT, PARALLEL & PERPENDICULAR TO WITHIN 0.015 T.I.R.
NOTE: Identify with NAAMS CODE number as shown **XXX**.

Black Oxide Finish

No Black Oxide Finish to "SS Type" Components



SEE PAGE B-1.1 FOR GLOBAL MATERIALS CHART

NAAMS CODE	MATERIAL	NOTE	WT. kg
ALB415M	STEEL ASTM A-36	For Opposite Hand See ALB412M	0.59
ALB416M	SS type 303 or 304	For Opposite Hand See ALB413M	0.59

F

E

D

B

A

C

L BLOCK – 20 mm SERIES

ALB340M, 341M, 330M AND 331M (FULL METRIC)

GLOBAL STANDARD COMPONENTS



Assembly

02/12/14

Tolerances:

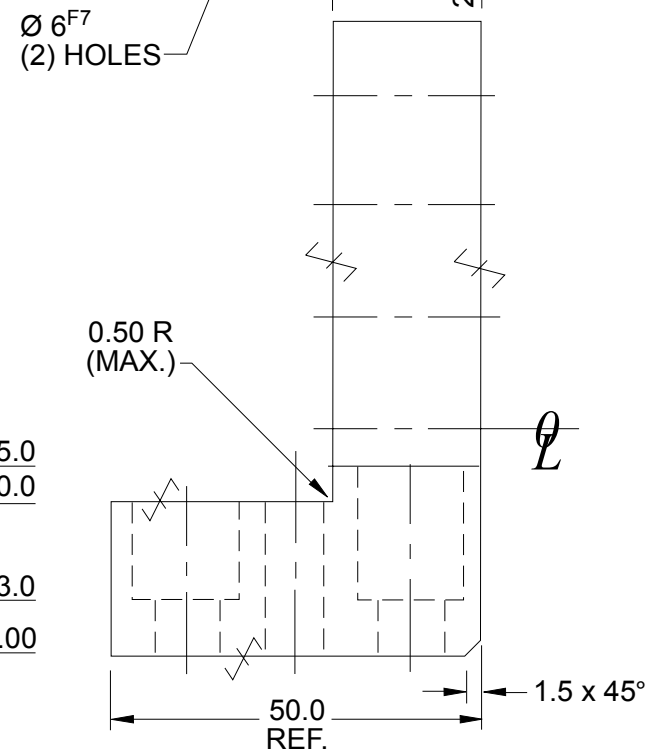
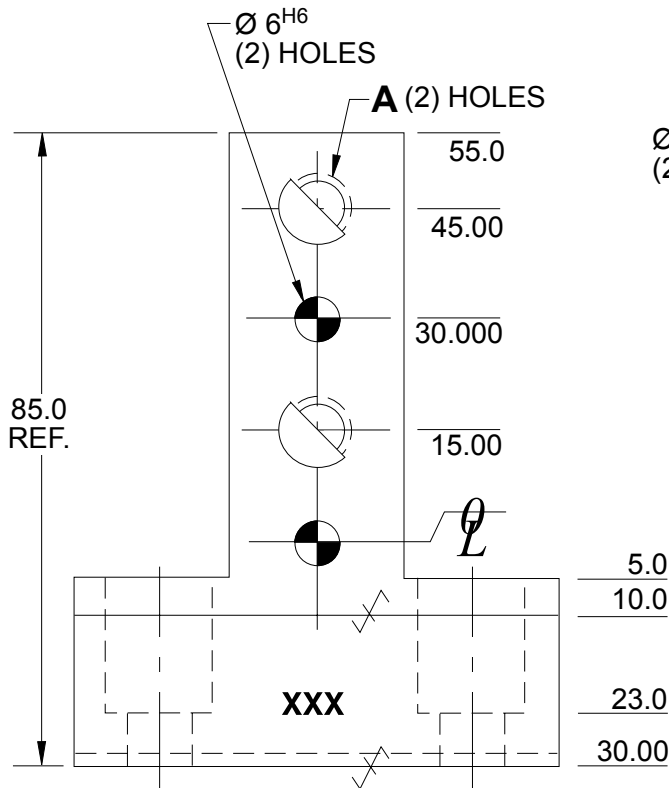
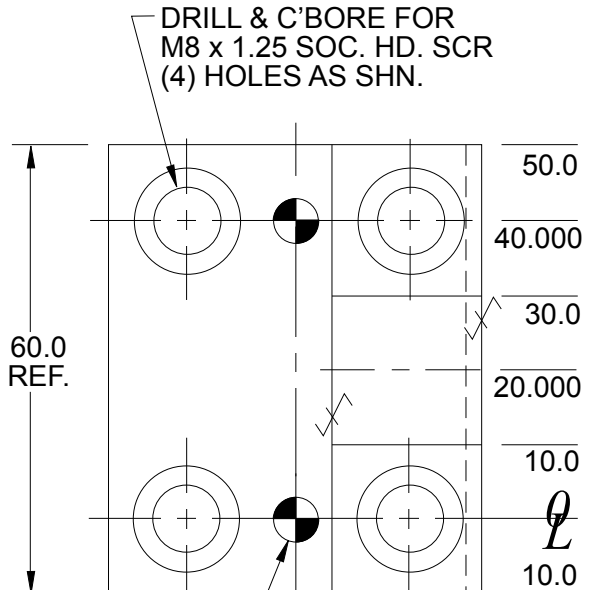
- 1 PLACE ± 0.3
- 2 PLACE ± 0.03
- 3 PLACE ± 0.020

✓ SURFACES TO BE FLAT, PARALLEL & PERPENDICULAR TO WITHIN 0.015 T.I.R.

NOTE: Identify with NAAMS CODE number as shown **XXX**.

Black Oxide Finish

No Black Oxide Finish to "SS Type" Components



SEE PAGE B-1.1 FOR GLOBAL MATERIALS CHART

NAAMS CODE	A	MATERIAL	WT. kg
ALB330M	M8 x 1.25	STEEL ASTM A-36	0.59
ALB331M	M8 x 1.25	SS type 303 or 304	0.59
ALB340M	Ø 9.0	STEEL ASTM A-36	0.59
ALB341M	Ø 9.0	SS type 303 or 304	0.59

F

E
A
B
C
D

L BLOCK – 20 mm SERIES ALB510M THRU ALB513M (FULL METRIC)

GLOBAL STANDARD COMPONENTS



Assembly

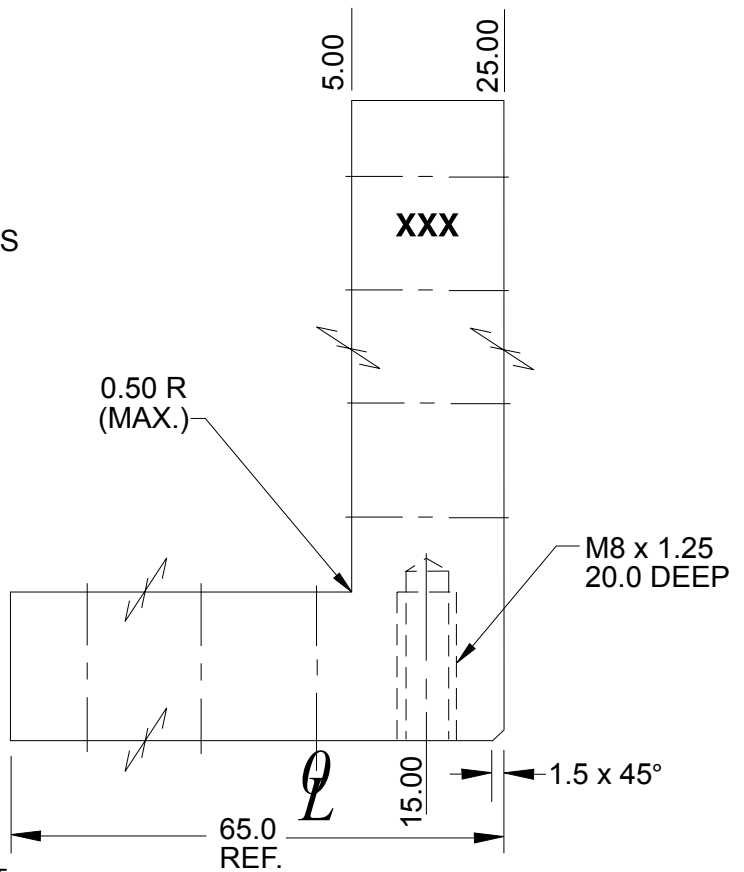
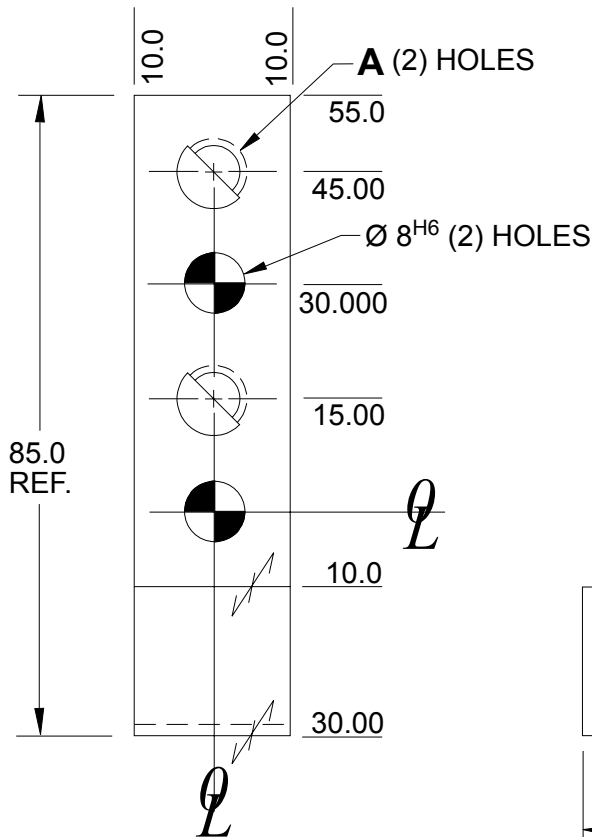
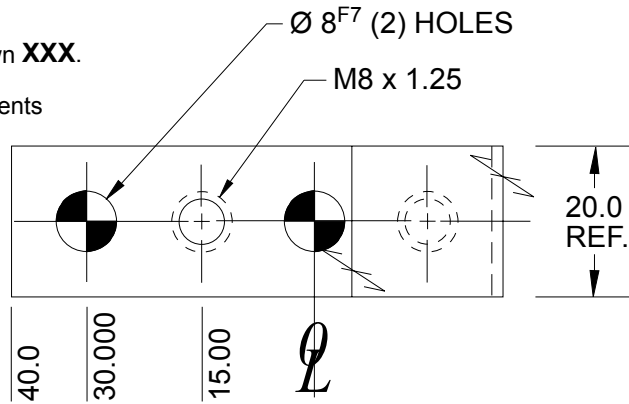
02/12/14

Tolerances:

- 1 PLACE ± 0.3
- 2 PLACE ± 0.03
- 3 PLACE ± 0.020

✓ SURFACES TO BE FLAT, PARALLEL & PERPENDICULAR TO WITHIN 0.015 T.I.R.

NOTE: Identify with NAAMS CODE number as shown **XXX**.
Black Oxide Finish
No Black Oxide Finish to "SS Type" Components



SEE PAGE B-1.1 FOR GLOBAL MATERIALS CHART

NAAMS CODE	A	MATERIAL	WT. kg
ALB510M	M8 x 1.25	STEEL ASTM A-36	0.32
ALB511M	M8 x 1.25	SS type 303 or 304	0.32
ALB512M	Ø 9.0	STEEL ASTM A-36	0.32
ALB513M	Ø 9.0	SS type 303 or 304	0.32

A

L BLOCK – 20 mm SERIES ALB521M THRU ALB524M (FULL METRIC)

GLOBAL STANDARD COMPONENTS



Assembly

02/12/14

Tolerances:

- 1 PLACE ± 0.3
- 2 PLACE ± 0.03
- 3 PLACE ± 0.020

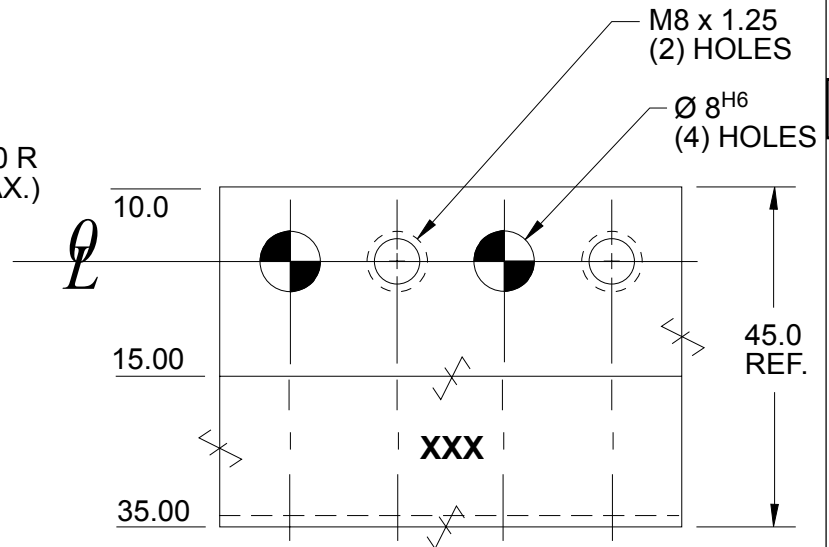
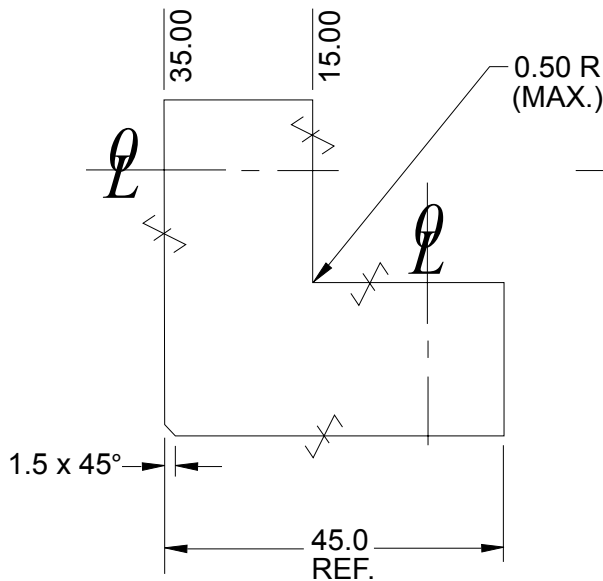
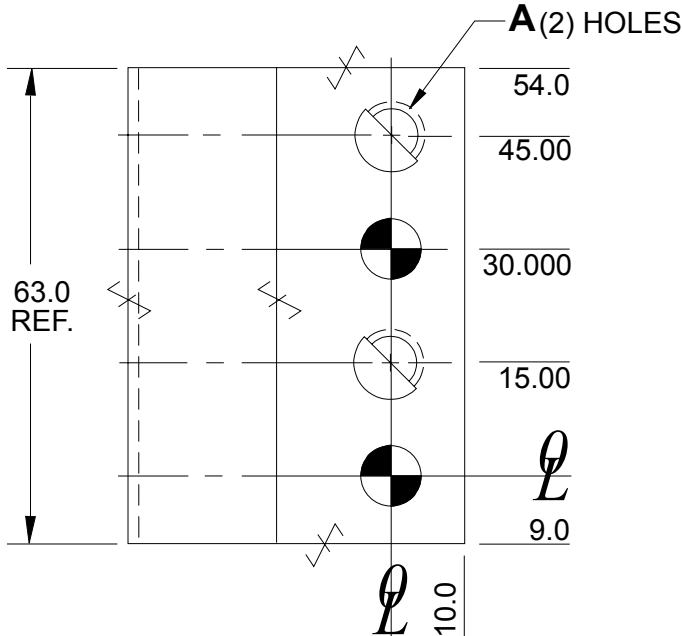
✓ SURFACES TO BE FLAT, PARALLEL & PERPENDICULAR TO WITHIN 0.015 T.I.R.

NOTE: Identify with NAAMS CODE number as shown **XXX**.

Black Oxide Finish

No Black Oxide Finish to "SS Type" Components

B



A

SEE PAGE B-1.1 FOR GLOBAL MATERIALS CHART

NAAMS CODE	A	MATERIAL	NOTE	WT. kg
ALB521M	M8 x 1.25	STEEL ASTM A-36	For Right and Left Hand Use	0.59
ALB522M	M8 x 1.25	SS type 303 or 304	For Right and Left Hand Use	0.59
ALB523M	Ø 9.0	STEEL ASTM A-36	For Opposite Hand See ALB531M	0.59
ALB524M	Ø 9.0	SS type 303 or 304	For Opposite Hand See ALB532M	0.59

L BLOCK – 20 mm SERIES

ALB531M, ALB532M

(FULL METRIC)

GLOBAL STANDARD COMPONENTS



Assembly

02/12/14

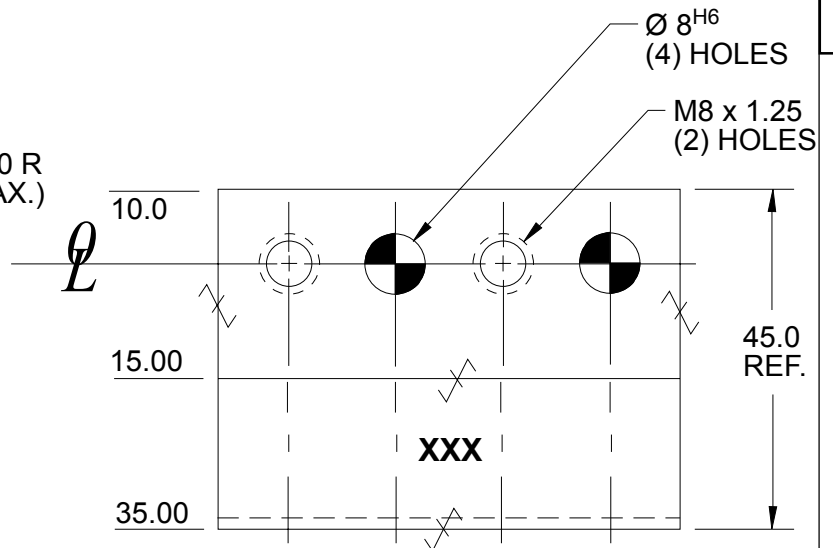
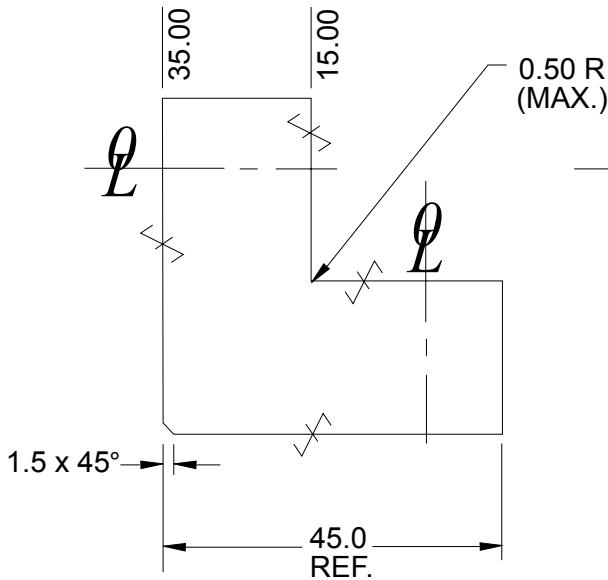
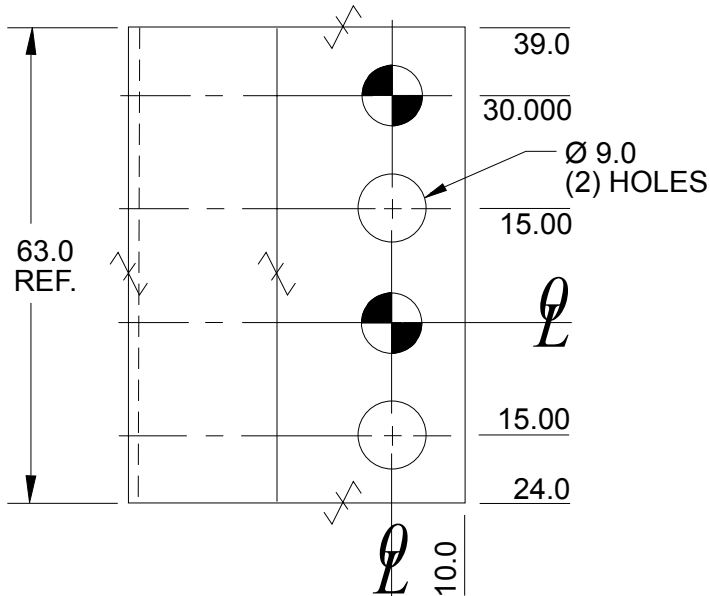
Tolerances:

- 1 PLACE ± 0.3
- 2 PLACE ± 0.03
- 3 PLACE ± 0.020

✓ SURFACES TO BE FLAT, PARALLEL & PERPENDICULAR TO WITHIN 0.015 T.I.R.
NOTE: Identify with NAAMS CODE number as shown **XXX**.

Black Oxide Finish

No Black Oxide Finish to "SS Type" Components



SEE PAGE B-1.1 FOR GLOBAL MATERIALS CHART

NAAMS CODE	MATERIAL	NOTE	WT. kg
ALB531M	STEEL ASTM A-36	For Opposite Hand See ALB523M	0.59
ALB532M	SS type 303 or 304	For Opposite Hand See ALB524M	0.59

L BLOCK – 20 mm SERIES ALB551M THRU ALB554M (FULL METRIC)

GLOBAL STANDARD COMPONENTS



Assembly

02/12/14

Tolerances:

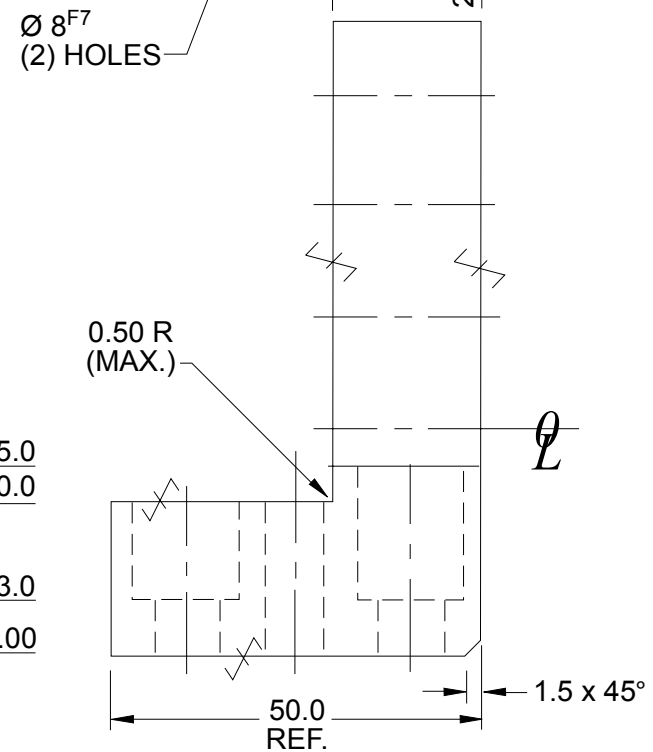
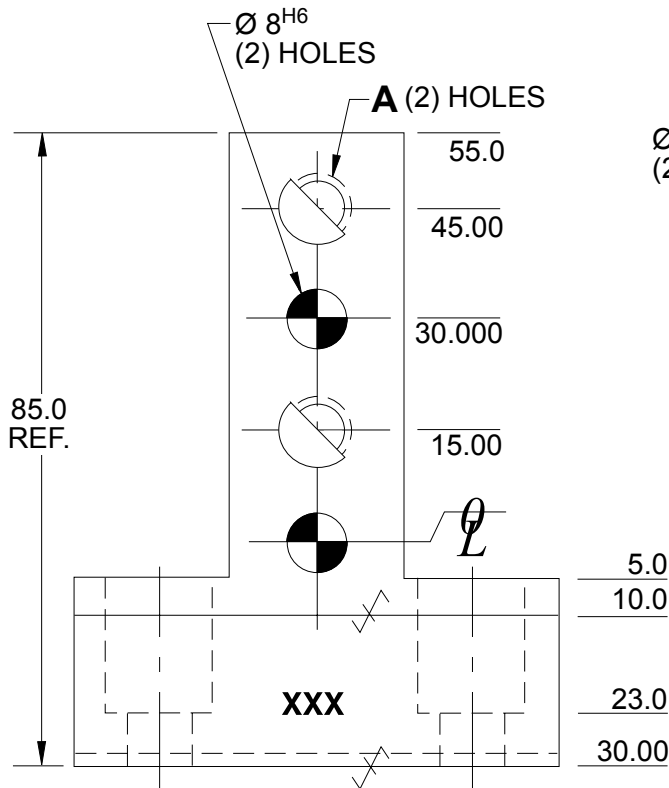
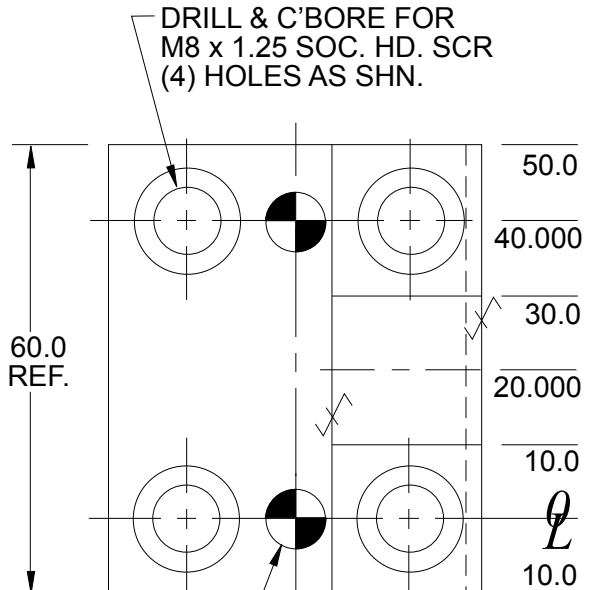
- 1 PLACE ± 0.3
- 2 PLACE ± 0.03
- 3 PLACE ± 0.020

✓ SURFACES TO BE FLAT, PARALLEL & PERPENDICULAR TO WITHIN 0.015 T.I.R.

NOTE: Identify with NAAMS CODE number as shown **XXX**.

Black Oxide Finish

No Black Oxide Finish to "SS Type" Components



SEE PAGE B-1.1 FOR GLOBAL MATERIALS CHART

NAAMS CODE	A	MATERIAL	WT. kg
ALB551M	M8 x 1.25	STEEL ASTM A-36	0.59
ALB552M	M8 x 1.25	SS type 303 or 304	0.59
ALB553M	Ø 9.0	STEEL ASTM A-36	0.59
ALB554M	Ø 9.0	SS type 303 or 304	0.59

A

L BLOCK – 20 mm SERIES ALB540M THRU ALB543M (FULL METRIC)

GLOBAL STANDARD COMPONENTS



Assembly

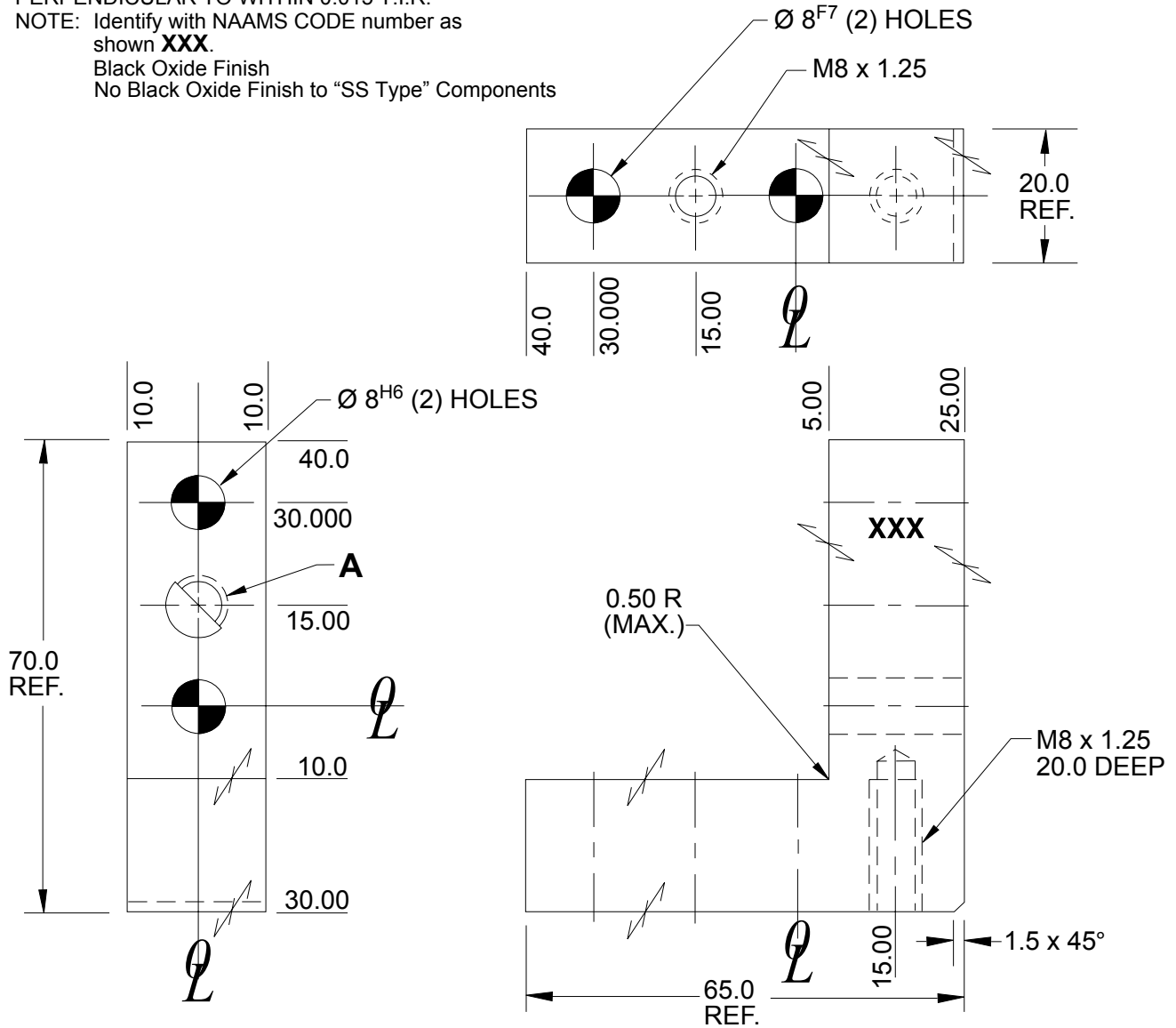
02/12/14

Tolerances:

- 1 PLACE ± 0.3
- 2 PLACE ± 0.03
- 3 PLACE ± 0.020

SURFACES TO BE FLAT, PARALLEL & PERPENDICULAR TO WITHIN 0.015 T.I.R.

NOTE: Identify with NAAMS CODE number as shown **XXX**.
Black Oxide Finish
No Black Oxide Finish to "SS Type" Components



A

SEE PAGE B-1.1 FOR GLOBAL MATERIALS CHART

NAAMS CODE	A	MATERIAL	WT. kg
ALB540M	M8 x 1.25	STEEL ASTM A-36	0.32
ALB541M	M8 x 1.25	SS type 303 or 304	0.32
ALB542M	$\varnothing 9.0$	STEEL ASTM A-36	0.32
ALB543M	$\varnothing 9.0$	SS type 303 or 304	0.32

L BLOCK – 20 mm SERIES ALB560M THRU ALB563M (FULL METRIC)

GLOBAL STANDARD COMPONENTS



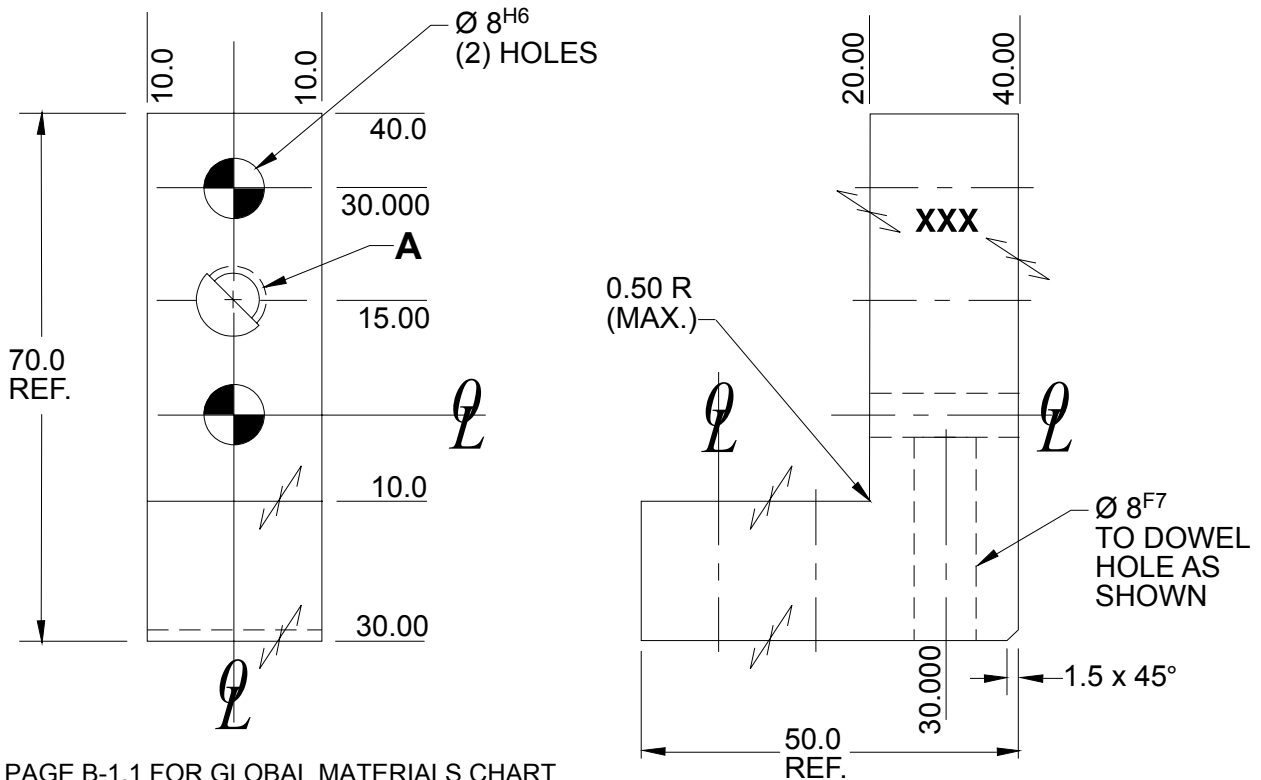
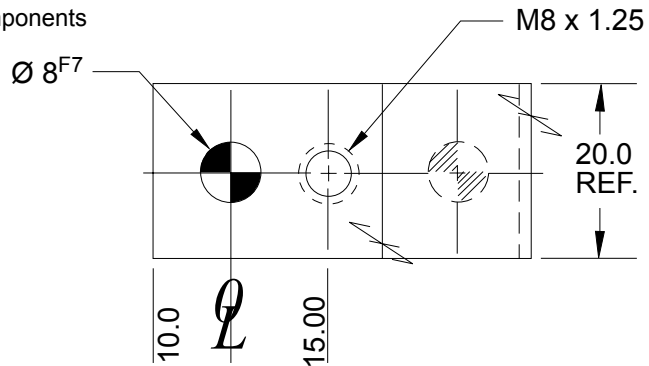
Assembly

02/12/14

Tolerances:
1 PLACE ± 0.3
2 PLACE ± 0.03
3 PLACE ± 0.020

✓ SURFACES TO BE FLAT, PARALLEL & PERPENDICULAR TO WITHIN 0.015 T.I.R.

NOTE: Identify with NAAMS CODE number as shown **XXX**.
Black Oxide Finish
No Black Oxide Finish to "SS Type" Components



SEE PAGE B-1.1 FOR GLOBAL MATERIALS CHART

NAAMS CODE	A	MATERIAL
ALB560M	M8 x 1.25	STEEL ASTM A-36
ALB561M	M8 x 1.25	SS type 303 or 304
ALB562M	$\varnothing 9.0$	STEEL ASTM A-36
ALB563M	$\varnothing 9.0$	SS type 303 or 304

A

L BLOCK – 20 mm SERIES ALB570M THRU ALB573M (FULL METRIC)

GLOBAL STANDARD COMPONENTS



Assembly

02/12/14

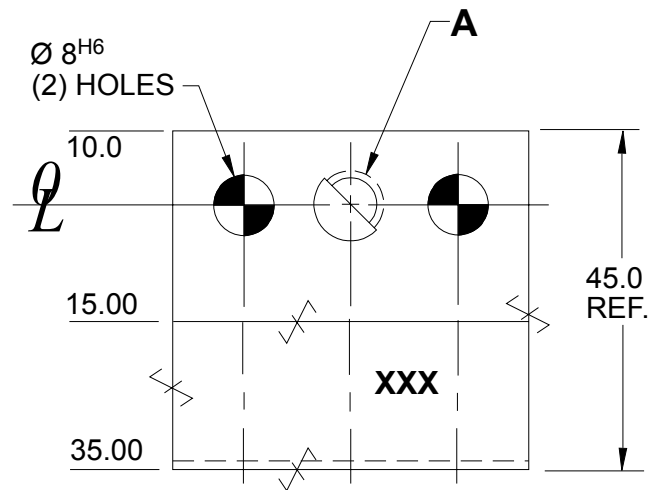
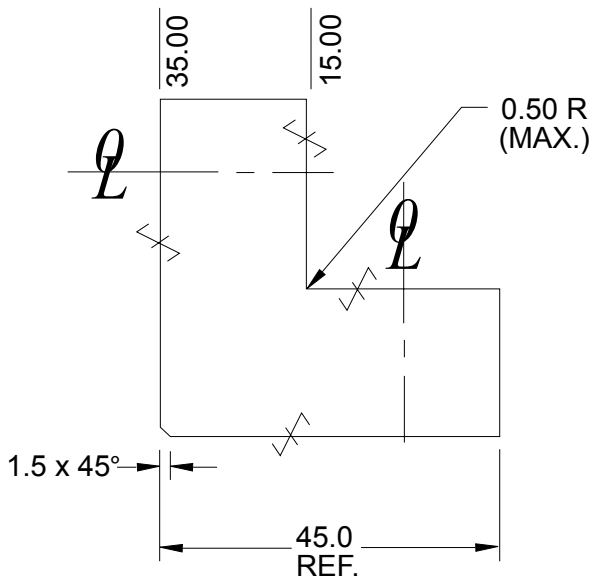
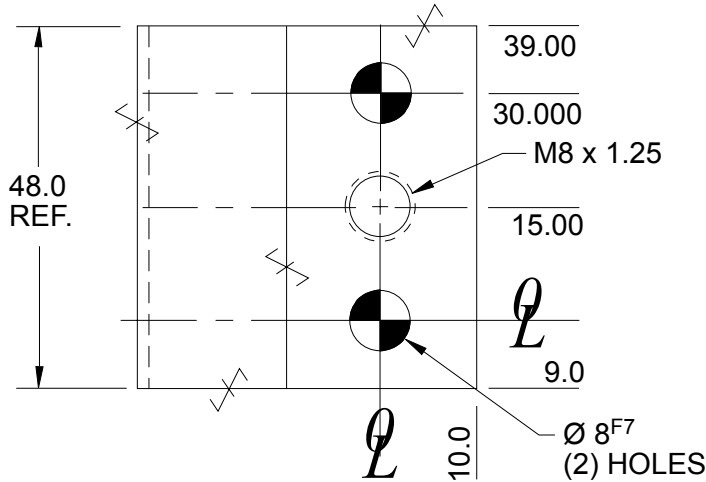
Tolerances:

- 1 PLACE ± 0.3
- 2 PLACE ± 0.03
- 3 PLACE ± 0.020

✓ SURFACES TO BE FLAT, PARALLEL & PERPENDICULAR TO WITHIN 0.015 T.I.R.
NOTE: Identify with NAAMS CODE number as shown **XXX**.

Black Oxide Finish

No Black Oxide Finish to "SS Type" Components



SEE PAGE B-1.1 FOR GLOBAL MATERIALS CHART

NAAMS CODE	A	MATERIAL	WT. kg
ALB570M	M8 x 1.25	STEEL ASTM A-36	0.50
ALB571M	M8 x 1.25	SS type 303 or 304	0.50
ALB572M	Ø 9.0	STEEL ASTM A-36	0.50
ALB573M	Ø 9.0	SS type 303 or 304	0.50

L BLOCK – 20 mm SERIES ALB580M THRU ALB583M (FULL METRIC)

GLOBAL STANDARD COMPONENTS



Assembly

02/12/14

Tolerances:

- 1 PLACE ± 0.3
- 2 PLACE ± 0.03
- 3 PLACE ± 0.020

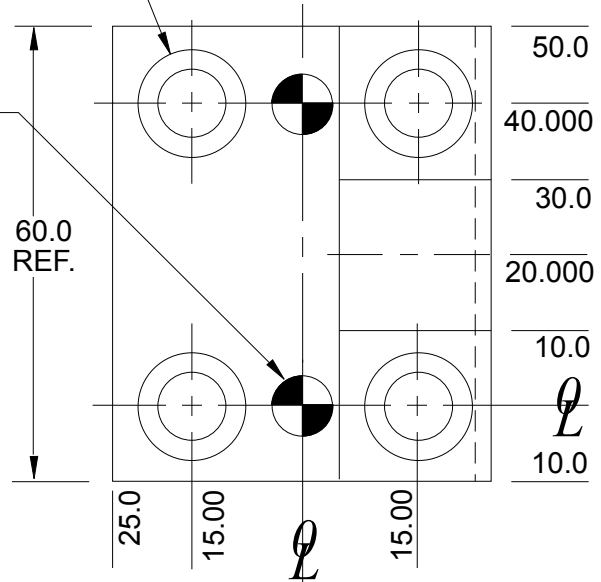
✓ SURFACES TO BE FLAT, PARALLEL & PERPENDICULAR TO WITHIN 0.015 T.I.R.

NOTE: Identify with NAAMS CODE number as shown **XXX**.

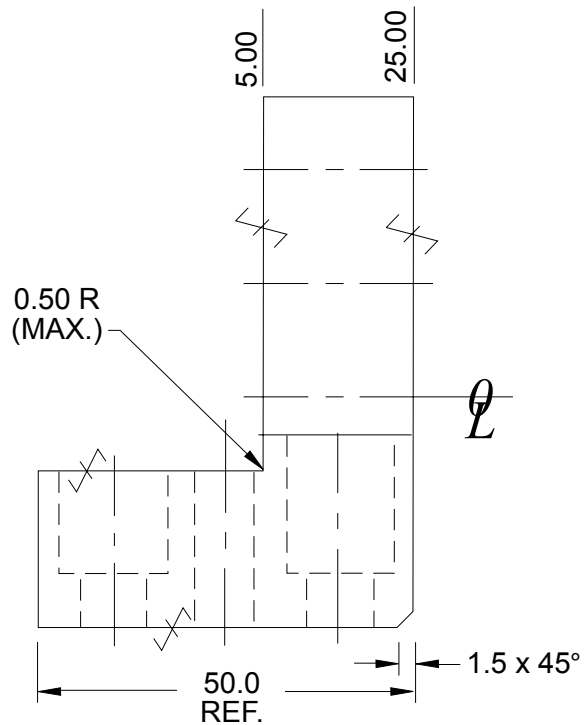
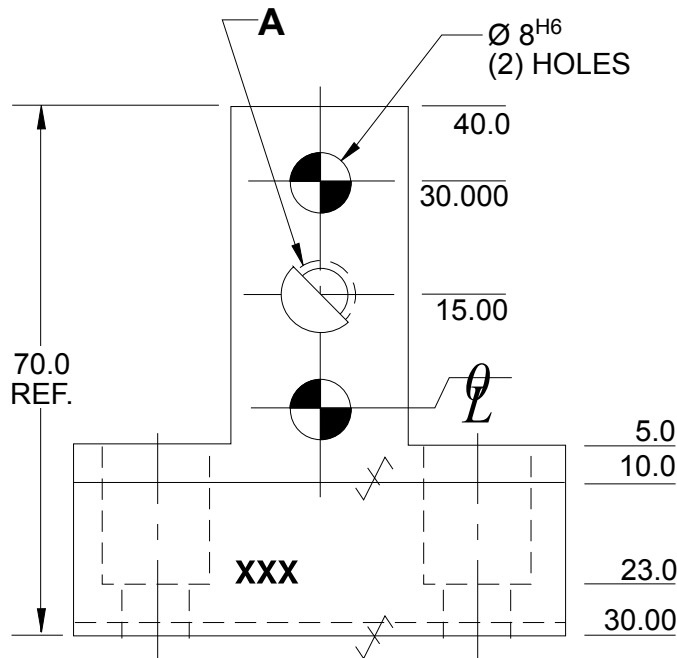
Black Oxide Finish
No Black Oxide Finish to
"SS Type" Components

DRILL & C'BORE FOR
M8 x 1.25 SOC. HD. SCR
(4) HOLES AS SHN.

$\varnothing 8^{F7}$
(2) HOLES



A



SEE PAGE B-1.1 FOR GLOBAL MATERIALS CHART

NAAMS CODE	A	MATERIAL	WT. kg
ALB580M	M8 x 1.25	STEEL ASTM A-36	0.54
ALB581M	M8 x 1.25	SS type 303 or 304	0.54
ALB582M	$\varnothing 9.0$	STEEL ASTM A-36	0.54
ALB583M	$\varnothing 9.0$	SS type 303 or 304	0.54

L BLOCK (16mm SERIES)

GLOBAL STANDARD COMPONENTS



Assembly

06/01/21

Tolerances: METRIC

1 PLACE ± 0.3

2 PLACE ± 0.03

3 PLACE ± 0.020

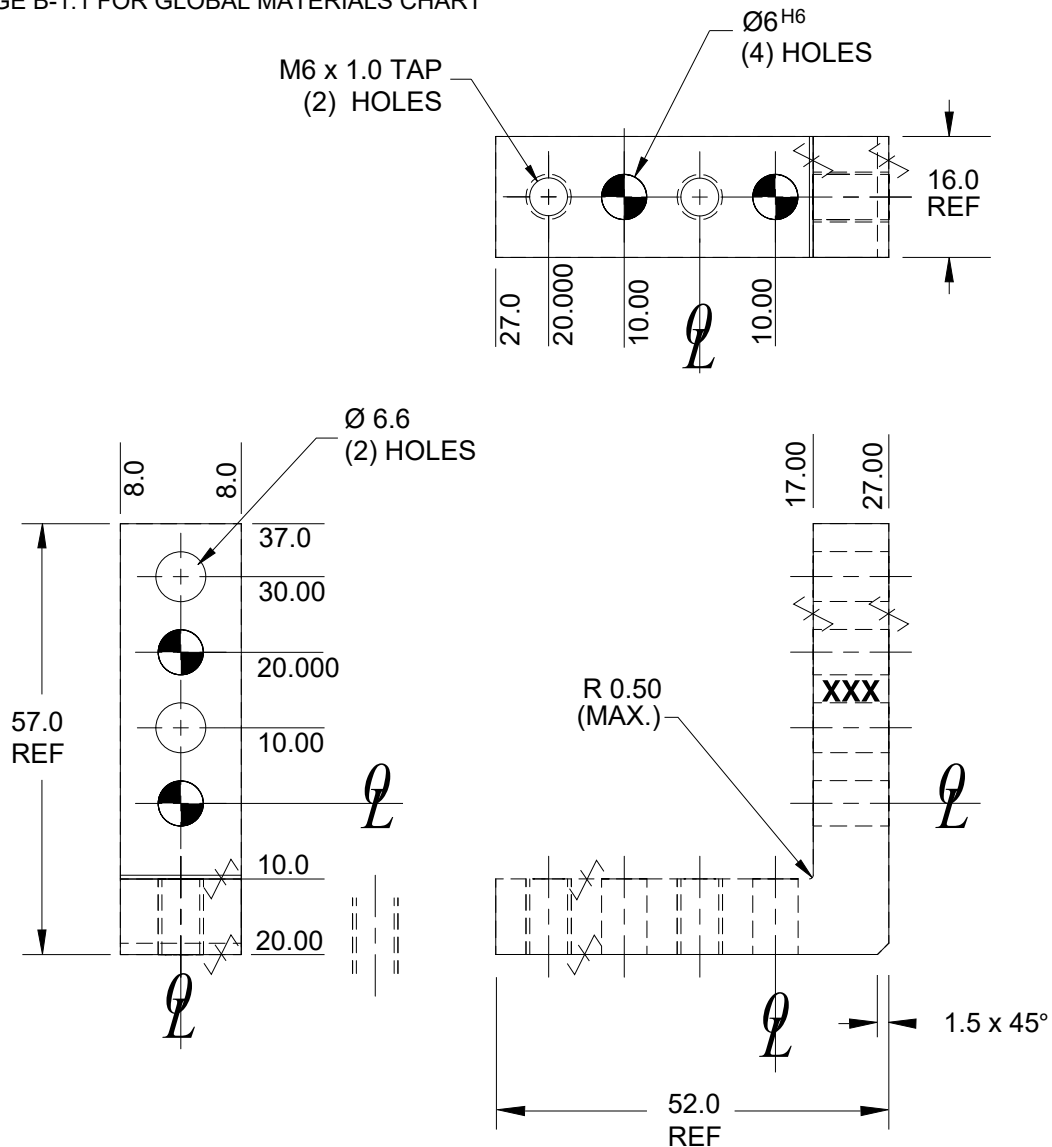
SURFACES TO BE FLAT, PARALLEL & PERPENDICULAR TO WITHIN 0.015 T.I.R.

MATERIAL: STEEL ASTM A-36

NOTE: Identify with NAAMS CODE number as shown **XXX**.

Black Oxide Finish

SEE PAGE B-1.1 FOR GLOBAL MATERIALS CHART



NAAMS CODE	WT. kg.
ALB610	0.11

L BLOCK (16mm SERIES)

GLOBAL STANDARD COMPONENTS



Assembly

06/01/21

Tolerances: METRIC

1 PLACE ± 0.3

2 PLACE ± 0.03

3 PLACE ± 0.020

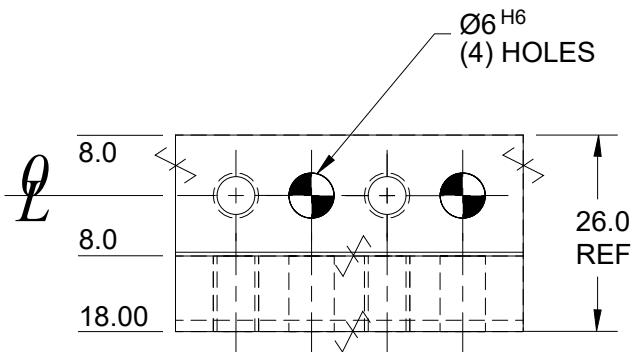
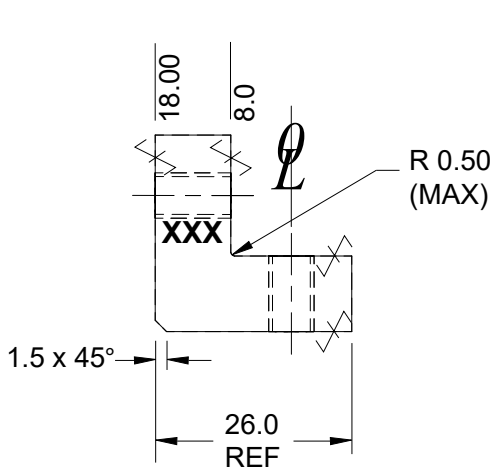
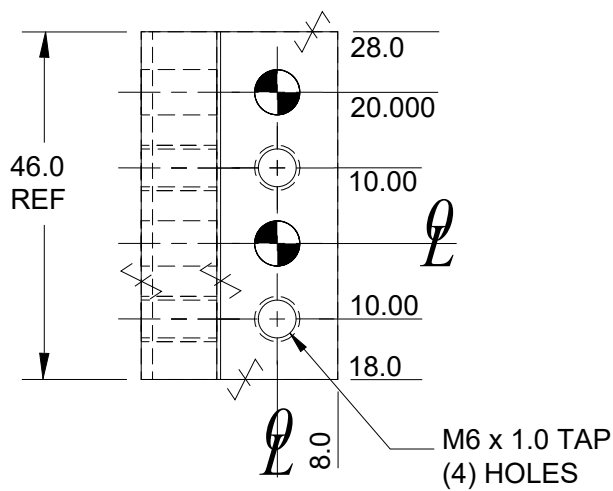
✓ SURFACES TO BE FLAT, PARALLEL & PERPENDICULAR TO WITHIN 0.015 T.I.R.

MATERIAL: STEEL ASTM A-36

NOTE: Identify with NAAMS CODE number as shown **XXX**.

Black Oxide Finish

SEE PAGE B-1.1 FOR GLOBAL MATERIALS CHART



NAAMS CODE	WT. kg.
ALB620	0.15