

# PERIMETER FENCE SYSTEM COMPONENTS INDEX

GLOBAL STANDARD COMPONENTS

**NAAMS** 

Assembly

04/12/24

PAGE	DATE	NAAMS CODES	DESCRIPTION
<a href="#">C-1</a>	04/12/24		Perimeter Fence System Components Index
<a href="#">C-1.1</a>	04/12/24		Perimeter Fence System Components Index
<a href="#">C-2</a>	07/01/17		Metric Perimeter Fencing Assembly
<a href="#">C-3</a>	06/24/05		Metric Perimeter Fencing Assembly
<a href="#">C-4</a>	02/16/06		Metric Perimeter Fencing Assembly
<a href="#">C-5</a>	04/12/24	APF500M – APF511M	Metric Perimeter 1525.0 Fence Panel
<a href="#">C-6</a>	04/12/24	APF500MN – APF511MN	Metric Perimeter 1525.0 Fence Panel (Notched)
<a href="#">C-7</a>	04/12/24	APF512M – APF523M	Metric Perimeter 2135.0 Fence Panel
<a href="#">C-8</a>	04/12/24	APF512MN – APF523MN	Metric Perimeter 2135.0 Fence Panel (Notched)
<a href="#">C-9</a>	04/12/24	APF524M – APF535M APF636M – APF647M	Metric Perimeter 1755.0 Fence Panel
<a href="#">C-9.1</a>	04/04/08	APF524M – APF535M APF636M – APF647M	Metric Perimeter 1755.0 Fence Panel (Table)
<a href="#">C-10</a>	04/12/24	APF524MN – APF535MN	Metric Perimeter 1755.0 Fence Panel (Notched)
<a href="#">C-11</a>	07/01/17	APF536M – APF538M & APF700M	Metric Perimeter Fence Gate
<a href="#">C-11.1</a>	06/24/05	APF536M – APF538M	Metric Perimeter Fence Gate
<a href="#">C-12</a>	07/01/17	APF539M – APF541M & APF701M	Metric Perimeter Fence Post
<a href="#">C-13</a>	07/01/17	APF542M – APF544M & APF702M	Metric Perimeter Fence Post
<a href="#">C-14</a>	06/24/05	APF545M	Metric Perimeter Fence Post Foot
<a href="#">C-15</a>	06/24/05	APF546M	Metric Perimeter Fence Post Foot
<a href="#">C-16</a>	06/24/05	APF547M – APF549M	Metric Perimeter Adjustable Fence Post
<a href="#">C-17</a>	06/24/05	APF550M – APF552M	Metric Perimeter Adjustable Fence Post
<a href="#">C-18</a>	06/24/05	APF553M – APF564M	Cable Tray Support
<a href="#">C-19</a>	06/24/05		Inch Perimeter Fencing Assembly (Fixed Height)
<a href="#">C-20</a>	06/24/05		Inch Perimeter Fencing Assembly (Adjustable Height)
<a href="#">C-21</a>	06/17/03		Perimeter Fencing Assemblies Views
<a href="#">C-22</a>	06/24/05	APF014 – APF034	Inch Perimeter Fence Panel
<a href="#">C-23</a>	06/24/05	APF014N – APF034N	Inch Perimeter Fence Panel (Notched)
<a href="#">C-24</a>	06/24/05	APF023 – APF025	Inch Perimeter Fence Gate
<a href="#">C-24.1</a>	06/24/05	APF023 – APF025	Inch Perimeter Fence Gate
<a href="#">C-25</a>	06/24/05	APF026 – APF028	Perimeter Fence Post
<a href="#">C-26</a>	06/24/05	APF029 – APF031	Perimeter Fence Post
<a href="#">C-27</a>	06/24/05	APF001 Perimeter	Fence Post Foot
<a href="#">C-28</a>	06/24/05	APF002 Perimeter	Fence Post Foot

# PERIMETER FENCE SYSTEM COMPONENTS INDEX

GLOBAL STANDARD COMPONENTS

TM

# NAAMS

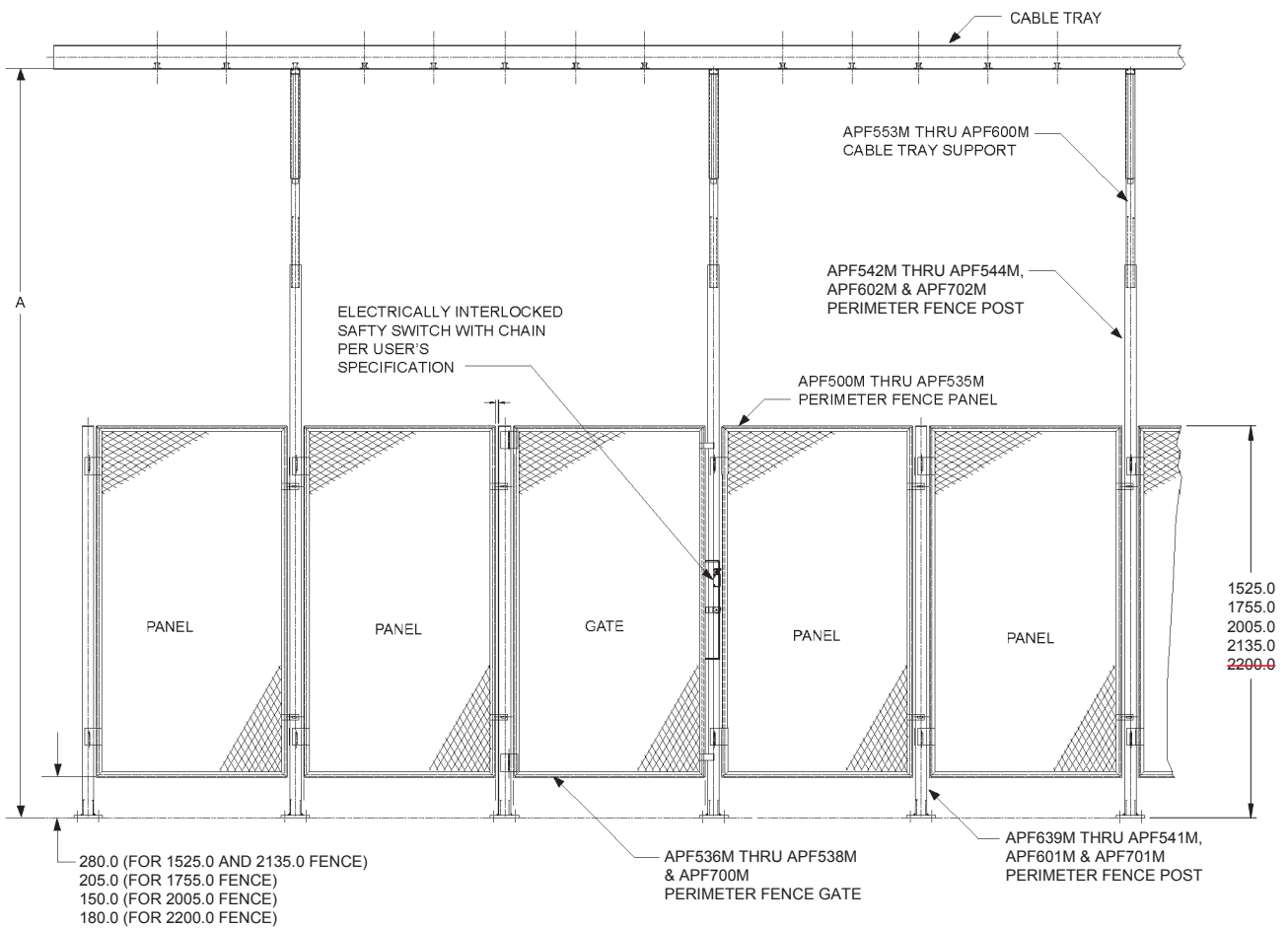
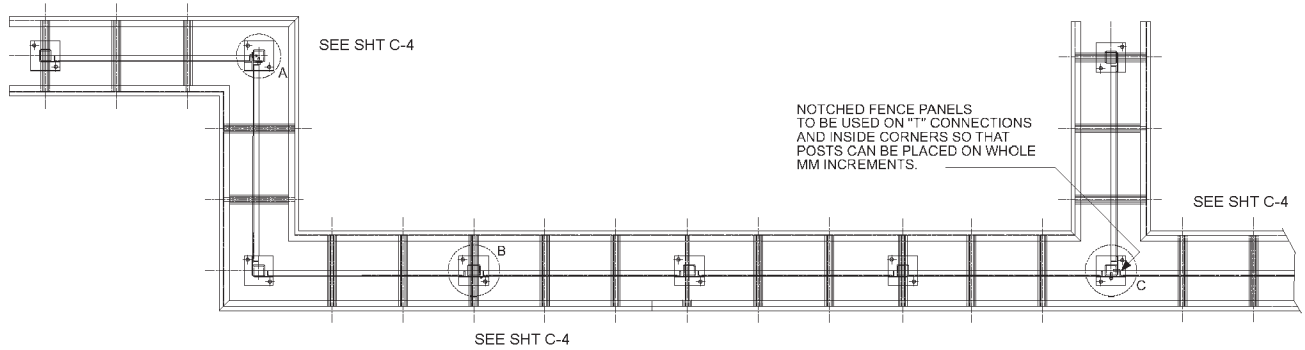


Assembly

04/12/24

<b>PAGE</b>	<b>DATE</b>	<b>NAAMS CODES</b>	<b>DESCRIPTION</b>
<a href="#">C-29</a>	06/24/05	APF003 – APF005	Perimeter Adjustable Fence Post
<a href="#">C-30</a>	06/24/05	APF006 – APF008	Perimeter Adjustable Fence Post
<a href="#">C-31</a>	03/01/99	Discontinued	Cable Tray Support
<a href="#">C-32</a>	06/24/05	APF565M – APF576M	Cable Tray Support
<a href="#">C-33</a>	06/24/05	APF577M – APF588M	Cable Tray Support
<a href="#">C-34</a>	06/24/05	APF589M – APF600M	Cable Tray Support
<a href="#">C-35</a>	04/12/24	APF-042 - APF043	Fixed Height Fence Post
<a href="#">C-36</a>	07/01/17	APF710M - APF721M	Metric Perimeter 2200.0 Fence Panel
<a href="#">C-37</a>	07/01/17	APF710MN - APF721MN	Metric Perimeter 2200.0 Fence Panel (Notched)

# METRIC PERIMETER FENCING ASSEMBLY (FIXED HEIGHT)



E

A

D

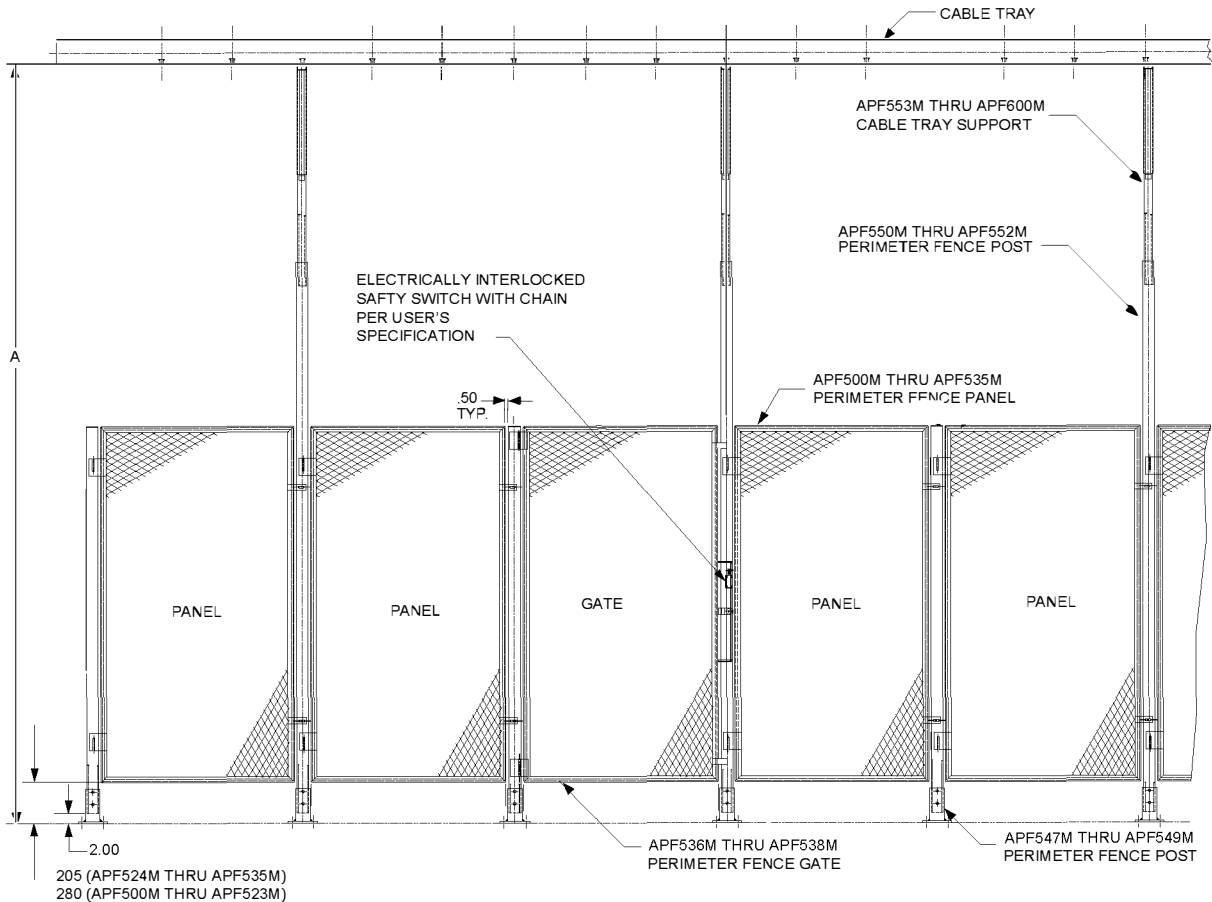
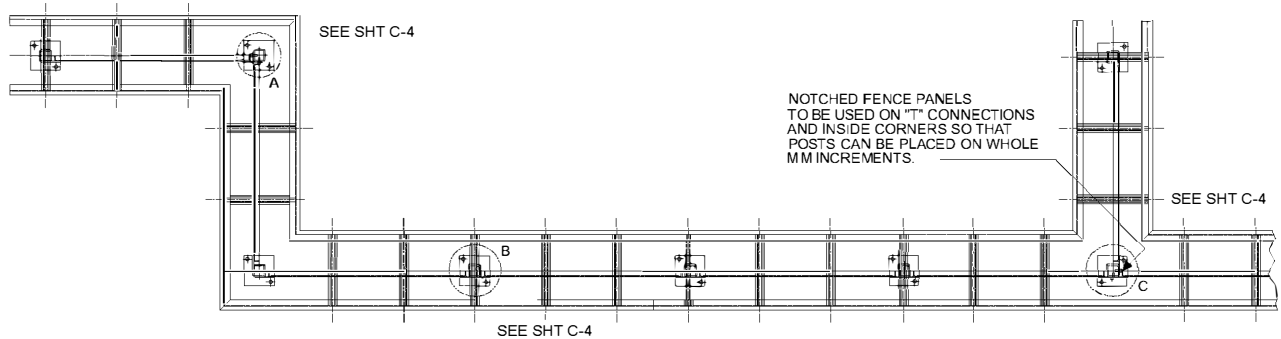
C

E

B

PERIMETER FENCE POST	CABLE TRAY SUPPORT	A APPROX. MIN.	A APPROX. MAX.
APF542M THRU APF544M	APF553M-APF556M, APF565M-APF568M, APF577M-APF580M, APF589M-APF592M	3150.0	3265.0
	APF557M-APF560M, APF569M-APF572M, APF581M-APF584M, APF593M-APF596M	3265.0	3630.0
	APF561M-APF564M, APF573M-APF576M, APF585M-APF588M, APF597M-APF600M	3630.0	3985.0

# METRIC PERIMETER FENCING ASSEMBLY (ADJUSTABLE HEIGHT)



PERIMETER FENCE POST	CABLE TRAY SUPPORT	A APPROX. MIN.	A APPROX. MAX.
APF550M THRU APF552M	APF553M-APF556M, APF565M-APF568M, APF577M-APF580M, APF589M-APF592M	3150.0	3265.0
	APF557M-APF560M, APF569M-APF572M, APF581M-APF584M, APF593M-APF596M	3265.0	3630.0
	APF561M-APF564M, APF573M-APF576M, APF585M-APF588M, APF597M-APF600M	3630.0	3985.0

A  
E  
D  
C  
B

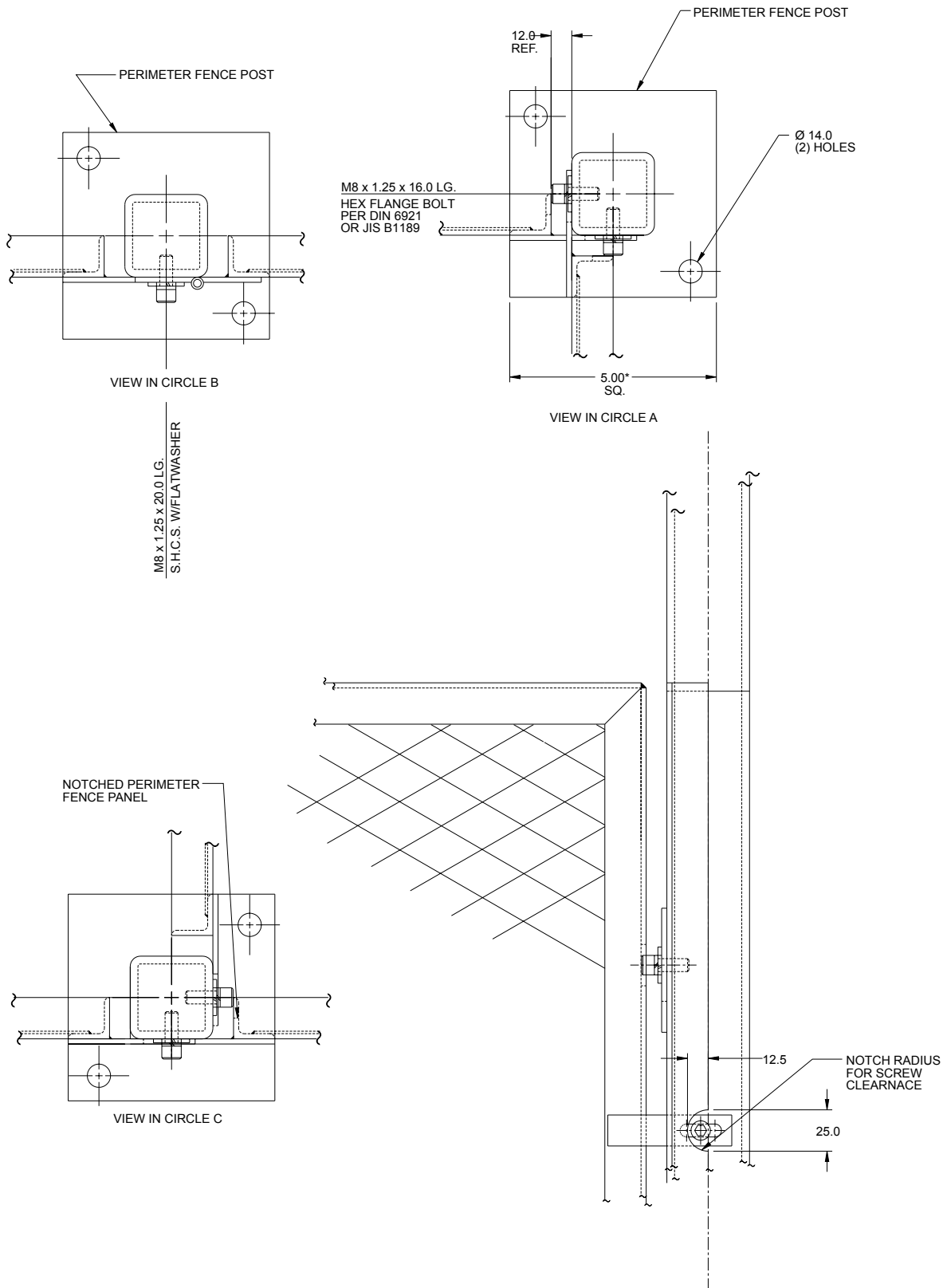
# METRIC PERIMETER FENCING ASSEMBLY (SHT #3)

GLOBAL STANDARD COMPONENTS



Assembly

02/16/06

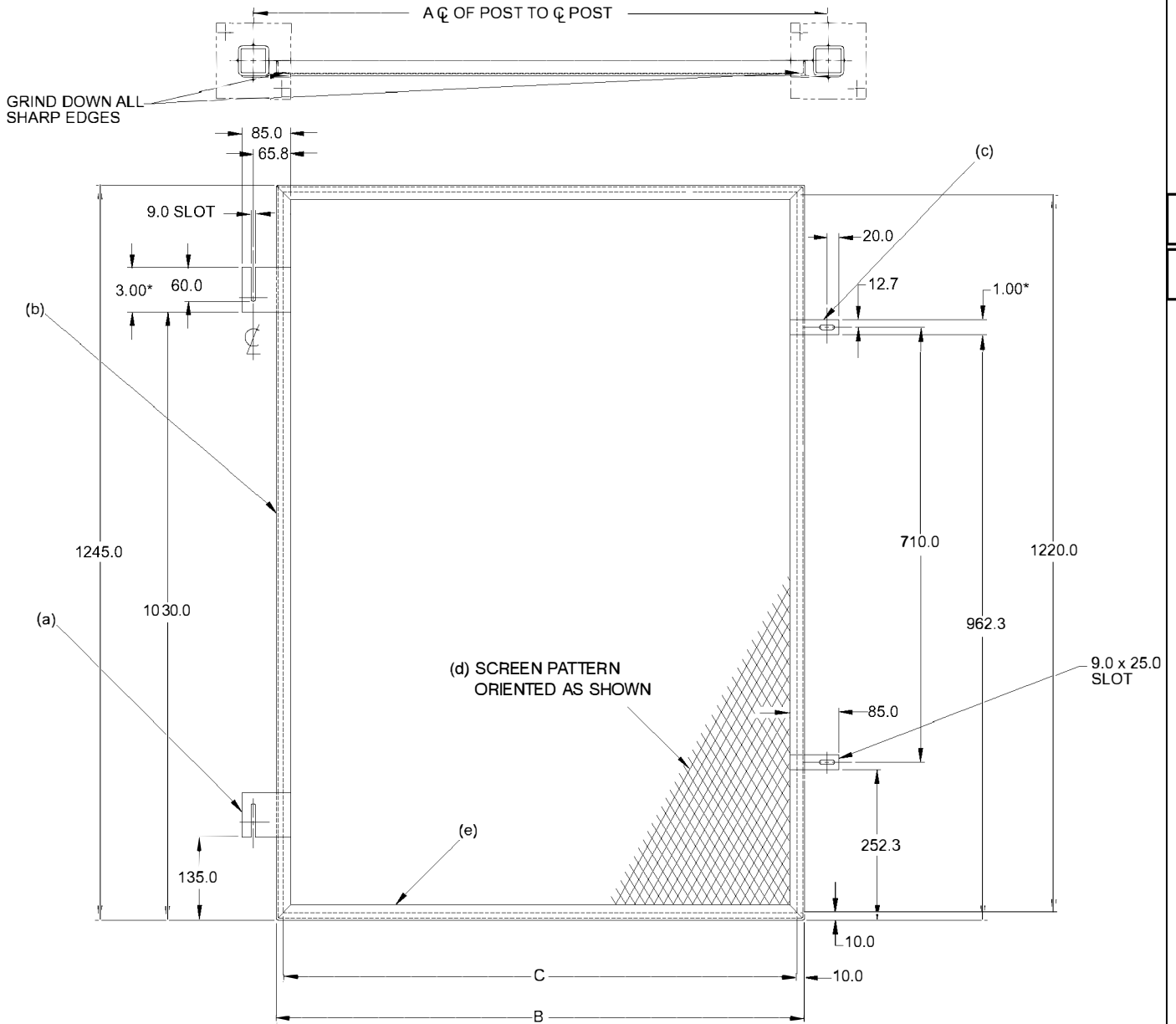


C

B

A

# METRIC PERIMETER 1525.0 FENCE PANEL



**PERIMETER FENCE PANEL**

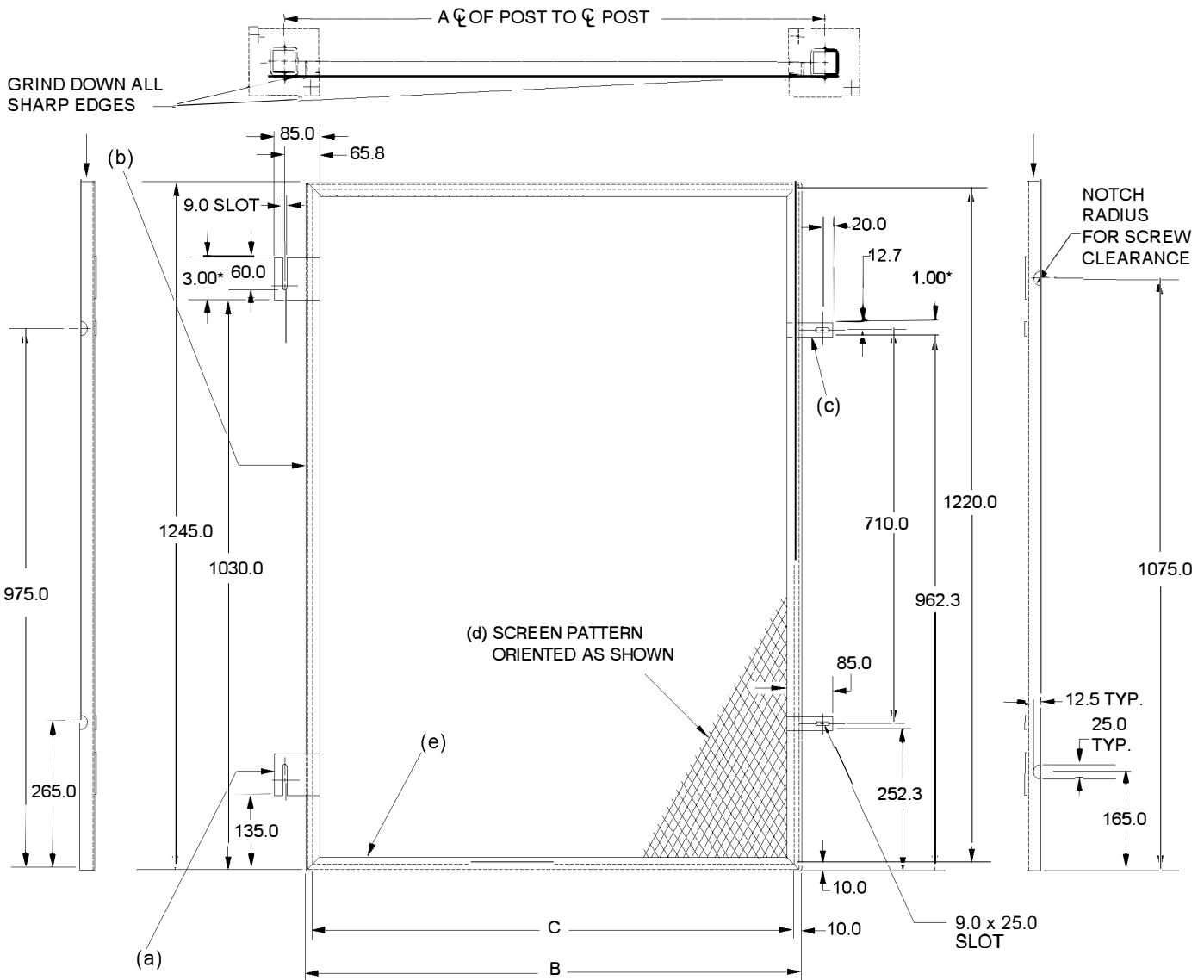
- (a) 2 REQ'D ~ 1/8" X 3" X 85.0 mm – S.A.E 1020 H.R.S.
- (b) 2 REQ'D ~ 1/8" x 1" x 1" x 1245.0 mm – STL. ANGLE
- (c) 2 REQ'D ~ 1/8" x 1" x 85.0 mm – S.A.E. 1020 H.R.S.
- (d) 1 REQ'D ~ 1220 x C x 3/4 - 16 GA EXPANDED METAL FLATTENED
- (e) 2 REQ'D ~ 1/8" x 1" x 1" x B mm – STL. ANGLE

PAINT NOTE:  
SAFETY BLACK

NOTE:  
ALL DIM'S ARE METRIC  
EXCEPT DIM'S MARKED \*  
WHICH ARE IN INCHES.

FENCE ASSY. HEIGHT	NAAMS CODE	A	B	C
GENERAL 1525.0 mm	APF500M	200.0	120.0	100.0
	APF501M	300.0	220.0	200.0
	APF502M	400.0	320.0	300.0
	APF503M	500.0	420.0	400.0
	APF504M	600.0	520.0	500.0
	APF505M	700.0	620.0	600.0
	APF506M	800.0	720.0	700.0
	APF507M	900.0	820.0	800.0
	APF508M	1000.0	920.0	900.0
	APPROX 5' (REF.)	APF509M	1100.0	1020.0
APF510M		1200.0	1120.0	1100.0
APF511M		1300.0	1220.0	1200.0

# METRIC PERIMETER 1525.0 FENCE PANEL (NOTCHED)



**PERIMETER FENCE PANEL**

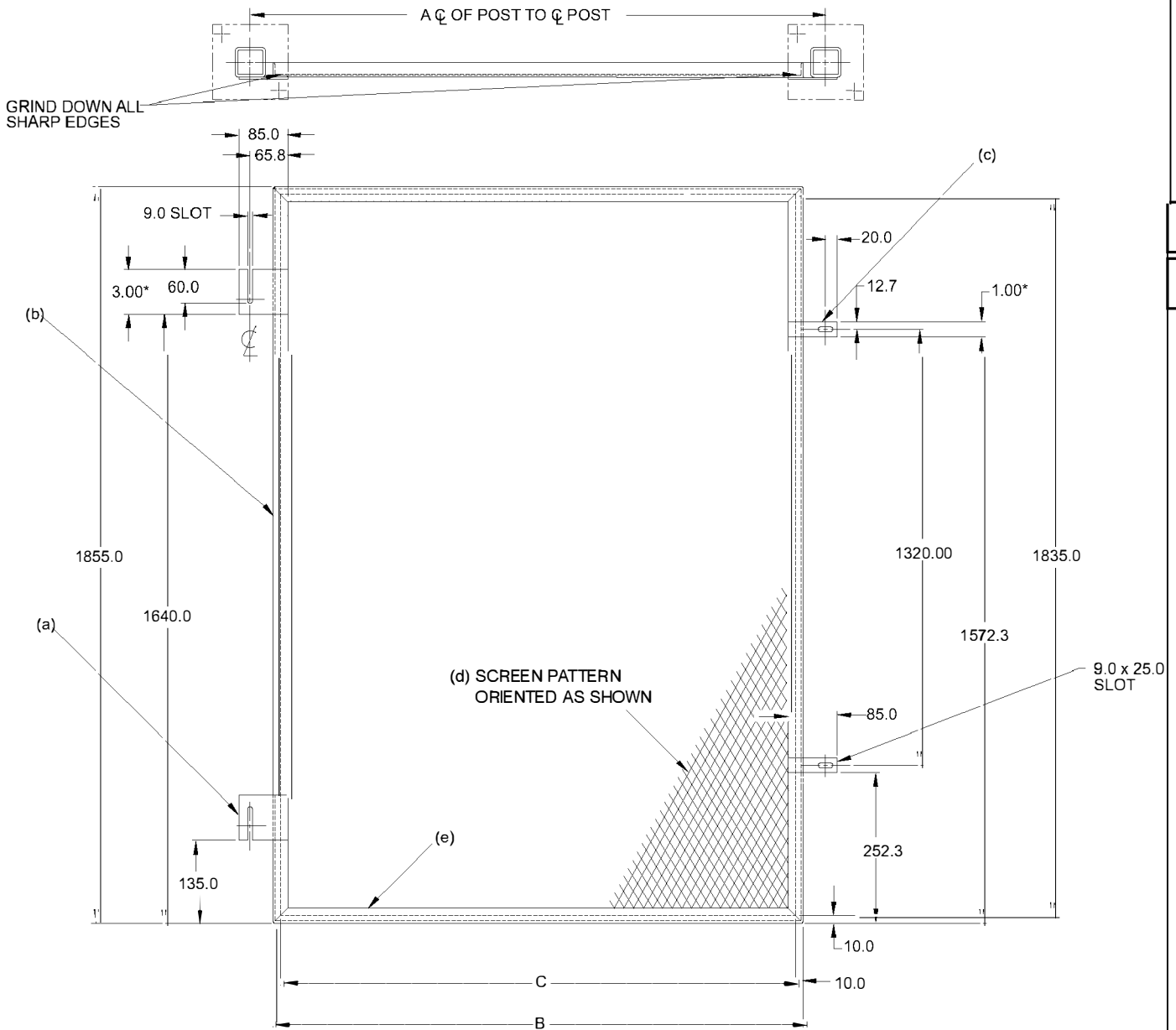
- (a) 2 REQ'D ~ 1/8" X 3" X 85.0 mm – S.A.E 1020 H.R.S.
- (b) 2 REQ'D ~ 1/8" x 1" x 1" x 1245.0 mm – STL. ANGLE
- (c) 2 REQ'D ~ 1/8" x 1" x 85.0 mm – S.A.E. 1020 H.R.S.
- (d) 1 REQ'D ~ 1220 x C x 3/4 - 16 GA EXPANDED METAL FLATTENED
- (e) 2 REQ'D ~ 1/8" x 1" x 1" x B mm – STL. ANGLE

PAINT NOTE:  
SAFETY BLACK

NOTE  
ALL DIM'S ARE METRIC  
EXCEPT DIM'S MARKED \*  
WHICH ARE IN INCHES.

FENCE ASSY. HEIGHT	NAAMS CODE	A	B	C
GENERAL 1525.0 mm	APF500MN	200.0	120.0	100.0
	APF501MN	300.0	220.0	200.0
	APF502MN	400.0	320.0	300.0
	APF503MN	500.0	420.0	400.0
	APF504MN	600.0	520.0	500.0
	APF505MN	700.0	620.0	600.0
	APF506MN	800.0	720.0	700.0
	APF507MN	900.0	820.0	800.0
APPROX 5' (REF.)	APF508MN	1000.0	920.0	900.0
	APF509MN	1100.0	1020.0	1000.0
	APF510MN	1200.0	1120.0	1100.0
	APF511MN	1300.0	1220.0	1200.0

# METRIC PERIMETER 2135.0 FENCE PANEL



A  
B

**PERIMETER FENCE PANEL**

- (a) 2 REQ'D ~ 1/8" X 3" X 85.0 mm – S.A.E 1020 H.R.S.
- (b) 2 REQ'D ~ 1/8" x 1" x 1" x 1855.0 mm – STL. ANGLE
- (c) 2 REQ'D ~ 1/8" x 1" x 85.0 mm – S.A.E. 1020 H.R.S.
- (d) 1 REQ'D ~ 1835 x C x 3/4 - 16 GA EXPANDED METAL FLATTENED
- (e) 2 REQ'D ~ 1/8" x 1" x 1" x B mm – STL. ANGLE

PAINT NOTE:  
SAFETY BLACK

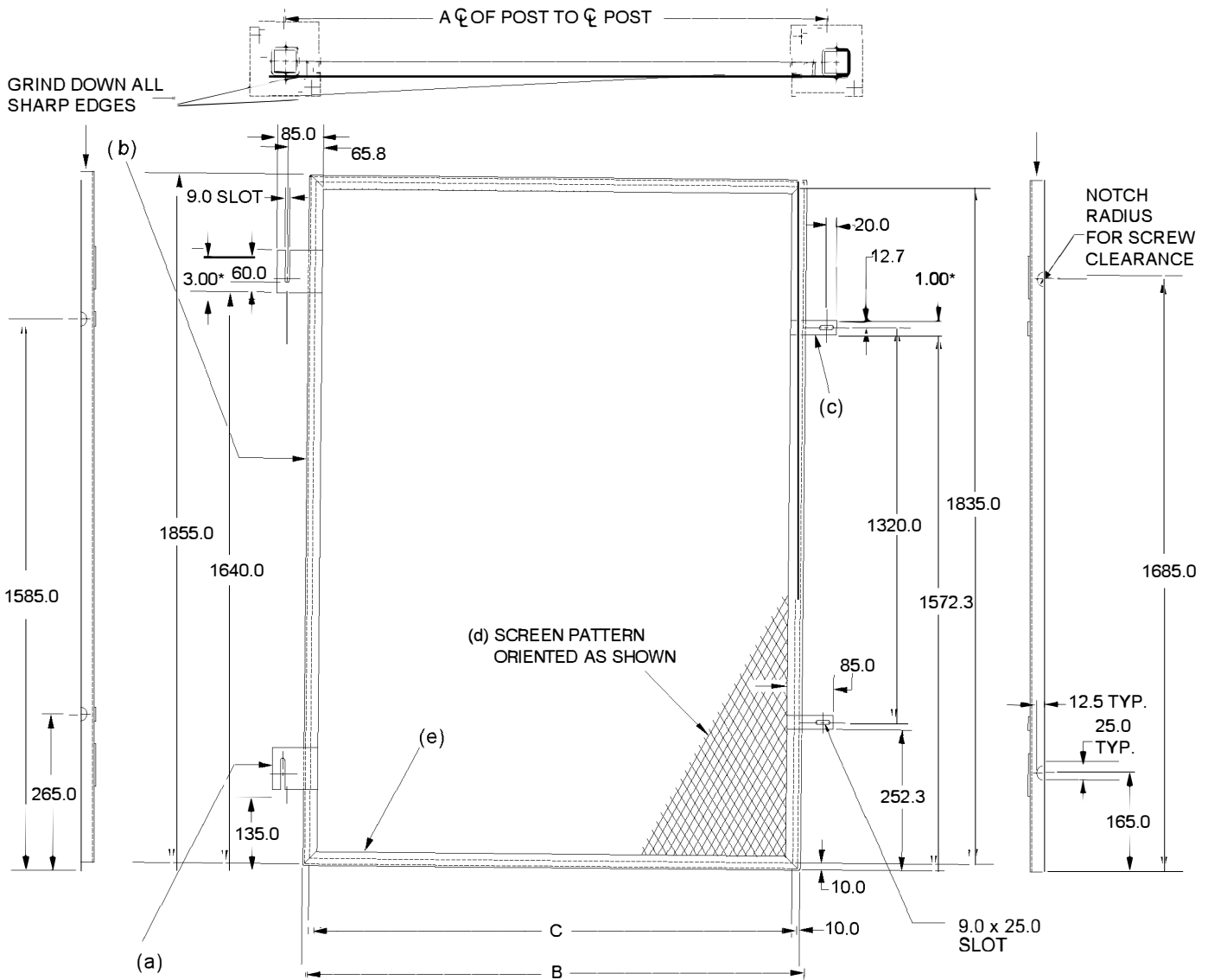
NOTE:  
ALL DIM'S ARE METRIC  
EXCEPT DIM'S MARKED \*  
WHICH ARE IN INCHES.

FENCE ASSY. HEIGHT	NAAMS CODE	A	B	C
GENERAL 2135.0 mm (7' REF) & 2005.0 mm (6'-7" REF)	APF512M	200.0	120.0	100.0
	APF513M	300.0	220.0	200.0
	APF514M	400.0	320.0	300.0
	APF515M	500.0	420.0	400.0
	APF516M	600.0	520.0	500.0
	APF517M	700.0	620.0	600.0
	APF518M	800.0	720.0	700.0
	APF519M	900.0	820.0	800.0
	APF520M	1000.0	920.0	900.0
	APF521M	1100.0	1020.0	1000.0
	APF522M	1200.0	1120.0	1100.0
	APF523M	1300.0	1220.0	1200.0

D  
C  
E  
G  
F



# METRIC PERIMETER 2135.0 FENCE PANEL (NOTCHED)



A  
B

**PERIMETER FENCE PANEL**

- (a) 2 REQ'D ~ 1/8" X 3" X 85.0 mm – S.A.E 1020 H.R.S.
- (b) 2 REQ'D ~ 1/8" x 1" x 1" x 1855.0 mm – STL. ANGLE
- (c) 2 REQ'D ~ 1/8" x 1" x 85.0 mm – S.A.E. 1020 H.R.S.
- (d) 1 REQ'D ~ 1835 x C x 3/4 - 16 GA EXPANDED METAL FLATTENED
- (e) 2 REQ'D ~ 1/8" x 1" x 1" x B mm – STL. ANGLE

PAINT NOTE:  
SAFETY BLACK

NOTE  
ALL DIM'S ARE METRIC  
EXCEPT DIM'S MARKED \*  
WHICH ARE IN INCHES.

FENCE ASSY. HEIGHT	NAAMS CODE	A	B	C
GENERAL 2135.0 mm (7' REF) & 2005.0 mm (6'-7" REF)	APF512MN	200.0	120.0	100.0
	APF513MN	300.0	220.0	200.0
	APF514MN	400.0	320.0	300.0
	APF515MN	500.0	420.0	400.0
	APF516MN	600.0	520.0	500.0
	APF517MN	700.0	620.0	600.0
	APF518MN	800.0	720.0	700.0
	APF519MN	900.0	820.0	800.0
	APF520MN	1000.0	920.0	900.0
	APF521MN	1100.0	1020.0	1000.0
	APF522MN	1200.0	1120.0	1100.0
APF523MN	1300.0	1220.0	1200.0	

G  
C  
D  
E  
F

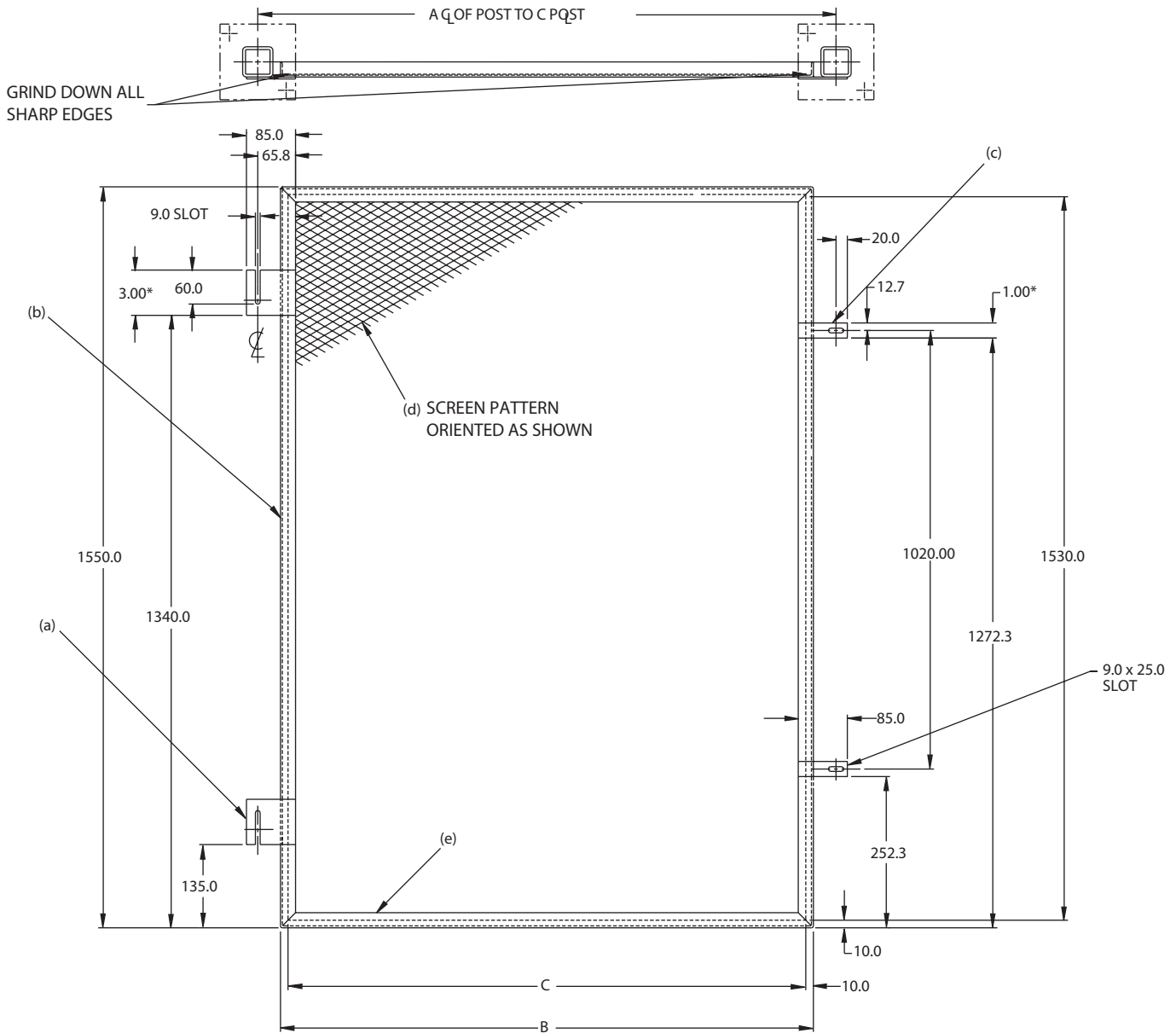
# METRIC PERIMETER 1755.0 FENCE PANEL

GLOBAL STANDARD COMPONENTS



Assembly

04/12/24



A  
B

E  
D  
C

G  
H  
F

## PEREMETER FENCE PANEL

- (a) 2 REQ'D ~ 1/8" X 3" X 85.0mm - SAE 1020 HRS
- (b) 2 REQ'D ~ 1/8" X 1" X 1" X 1550mm - STL ANGLE
- (c) 2 REQ'D ~ 1/8" X 1" X 85.0mm - SAE1020 HRS
- (d) 1 REQ'D ~ 1530 X C X 1 1/2" - 13 GA EXPANDED METAL METAL FLATTENED
- (e) 2 REQ'D ~ 1/8" X 1" X 1" X Bmm - STL ANGLE

PAINT NOTE:  
SAFETY BLACK

SEE FOLLOWING PAGE FOR NAAMS CODES

NOTE:  
ALL DIMS ARE METRIC  
EXCEPT DIMS MARKED \*  
WHICH ARE IN INCHES

# METRIC PERIMETER 1755.0 FENCE PANEL

GLOBAL STANDARD COMPONENTS



Assembly

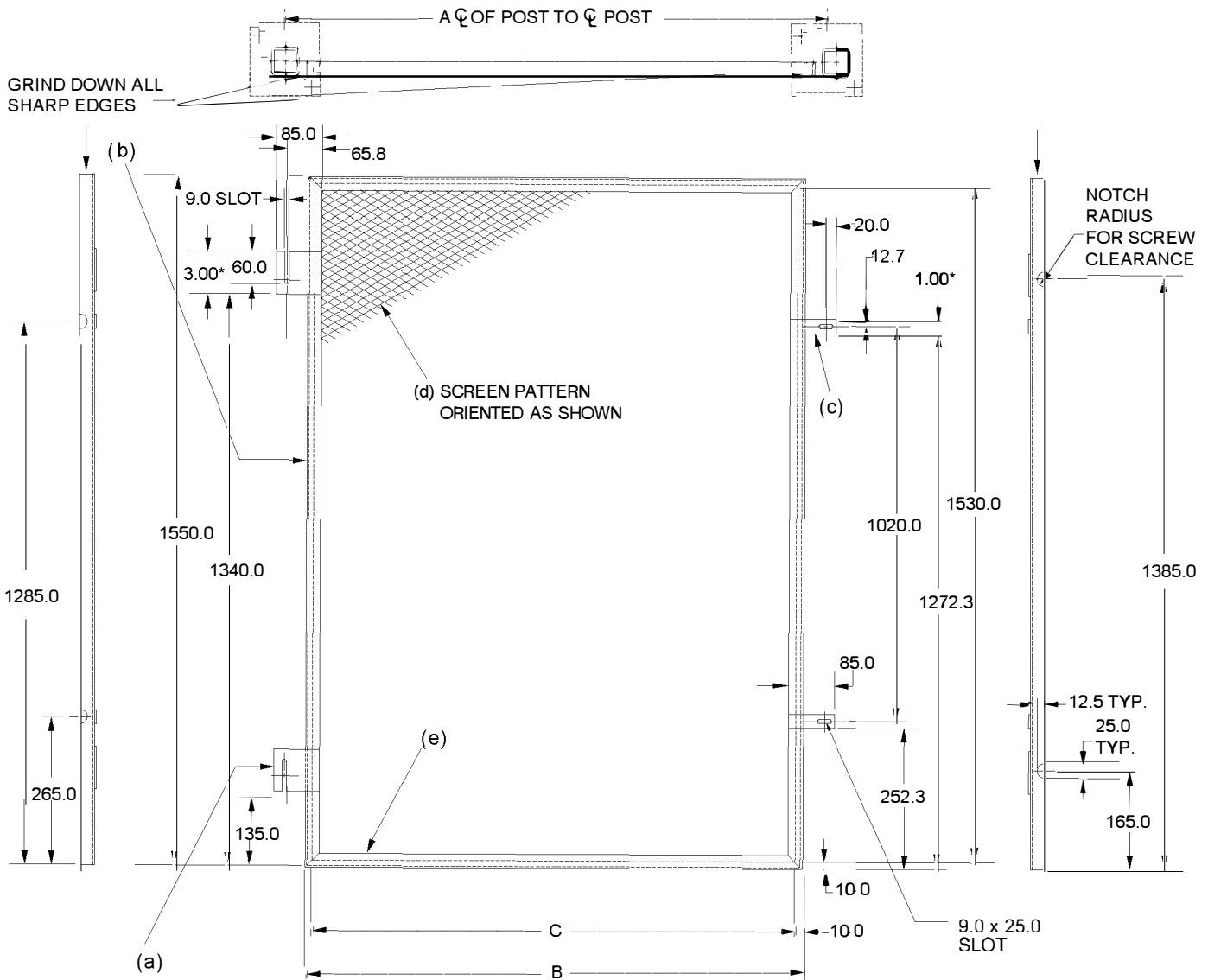
04/04/08

FENCE ASSY. HEIGHT	NAAMS CODE	A	B	C
GENERAL 1755.0 mm	APF524M	200.0	120.0	100.0
	APF525M	300.0	220.0	200.0
	APF526M	400.0	320.0	300.0
	APF527M	500.0	420.0	400.0
	APF528M	600.0	520.0	500.0
	APF529M	700.0	620.0	600.0
	APF530M	800.0	720.0	700.0
	APF531M	900.0	820.0	800.0
	APF532M	1000.0	920.0	900.0
	APF533M	1100.0	1020.0	1000.0
	APF534M	1200.0	1120.0	1100.0
	APF535M	1300.0	1220.0	1200.0
	APPROX. 5'9" (REF.)	APF636M	1400.0	1320.0
APF637M		1500.0	1420.0	1400.0
APF638M		1600.0	1520.0	1500.0
APF639M		1700.0	1620.0	1600.0
APF640M		1800.0	1720.0	1700.0
APF641M		1900.0	1820.0	1800.0
APF642M		2000.0	1920.0	1900.0
APF643M		2100.0	2020.0	2000.0
APF644M		2200.0	2120.0	2100.0
APF645M		2300.0	2220.0	2200.0
APF646M		2400.0	2320.0	2300.0
APF647M		2500.0	2420.0	2400.0

A

SEE PRECEDING PAGE FOR DRAWING

# METRIC PERIMETER 1755.0 FENCE PANEL (NOTCHED)



**A**  
**B**

**PERIMETER FENCE PANEL**

- (a) 2 REQ'D ~ 1/8" X 3" X 85.0 mm – S.A.E 1020 H.R.S.
- (b) 2 REQ'D ~ 1/8" x 1" x 1" x 1550.0 mm – STL. ANGLE
- (c) 2 REQ'D ~ 1/8" x 1" x 85.0 mm – S.A.E. 1020 H.R.S.
- (d) 1 REQ'D ~ 1530 x C x 1/2 - 13 GA EXPANDED METAL FLATTENED
- (e) 2 REQ'D ~ 1/8" x 1" x 1" x B mm – STL. ANGLE

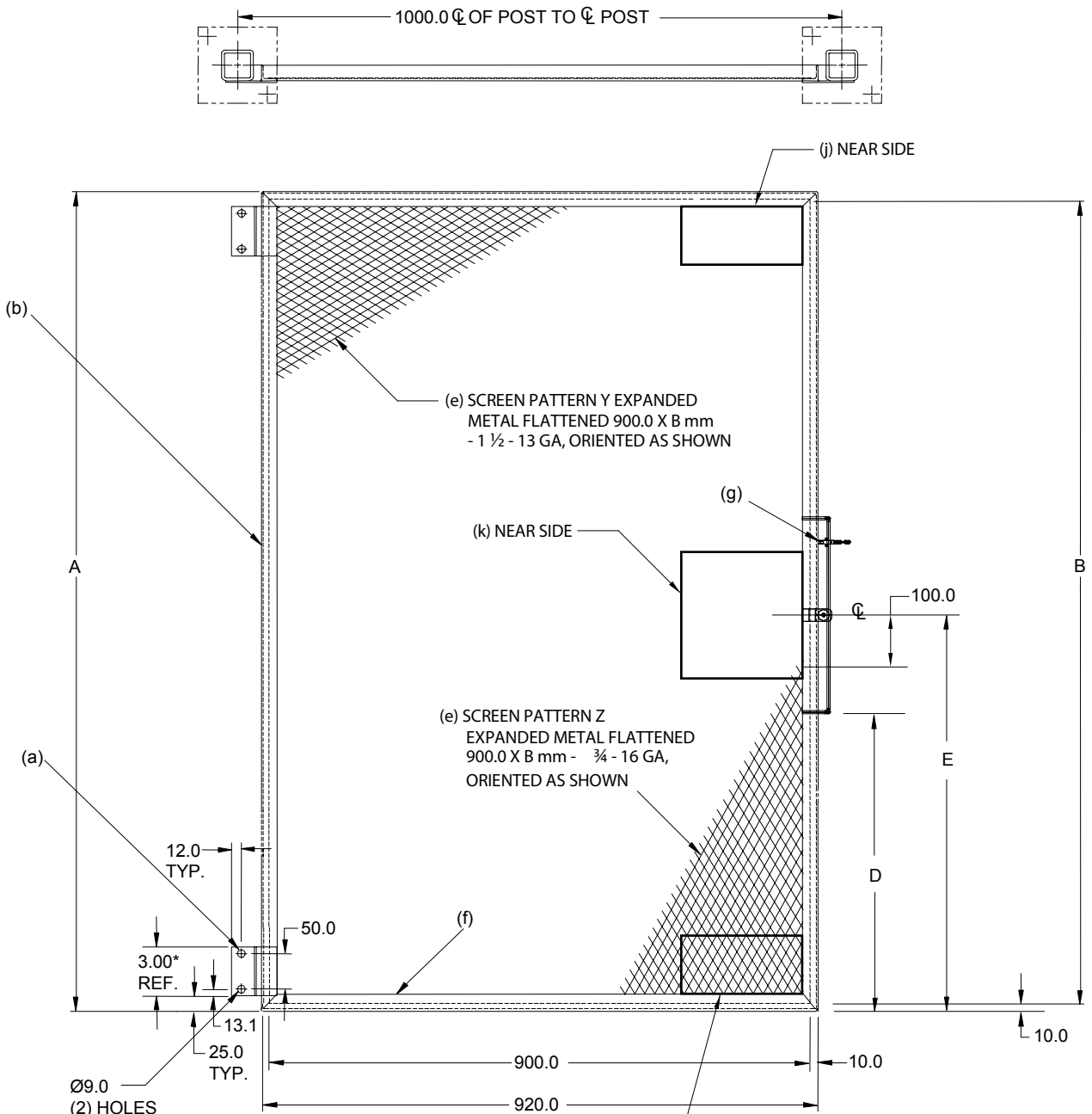
PAINT NOTE:  
SAFETY BLACK

NOTE:  
ALL DIM'S ARE METRIC  
EXCEPT DIM'S MARKED \*  
WHICH ARE IN INCHES.

FENCE ASSY. HEIGHT	NAAMS CODE	A	B	C
GENERAL 1755.0 mm	APF524MN	200.0	120.0	100.0
	APF525MN	300.0	220.0	200.0
	APF526MN	400.0	320.0	300.0
	APF527MN	500.0	420.0	400.0
	APF528MN	600.0	520.0	500.0
	APF529MN	700.0	620.0	600.0
	APF530MN	800.0	720.0	700.0
	APF531MN	900.0	820.0	800.0
APPROX 5'9" (REF.)	APF532MN	1000.0	920.0	900.0
	APF533MN	1100.0	1020.0	1000.0
	APF534MN	1200.0	1120.0	1100.0
	APF535MN	1300.0	1220.0	1200.0

**D**  
**E**  
**C**  
**G**  
**F**

# METRIC PERIMETER FENCE GATE



**GATE**

- (a) 2 REQ'D ~ STL. BUTT HINGE - 3 X 3
- (b) 2 REQ'D ~ 1" x 1" x 1" wt. x A mm - STL. ANGLE
- (c) 1 REQ'D ~ 1/8" x 1 1/2" x 90.0 mm - S.A.E. 1020 H.R.S.
- (d) 1 REQ'D ~ 3/8" ROUND STK. X 1010.0 mm - S.A.E. 1020 H.R.S.
- (e) 1 REQ'D ~ TO SCREEN PATTERN Y OR Z
- (f) 2 REQ'D ~ 1" x 1" x 1/8" wt. X 920.0 mm - STL. ANGLE
- (g) 1 REQ'D ~ GRADE 30 GENERAL PURPOSE PROOF COIL STEEL CHAIN  
 1/8" DIA. X 1/4" WIDE x 1 1/2" LG. ~ THREE LINKS.
- (h) 1 REQ'D ~ 3/8" I.D. TWO PIECE CLAMP COLLAR
- (i) 1 REQ'D ~ CERAMIC POT MAGNET 1.4" DIA x 9/32" THICK  
 WITH 3/16" HOLE ~ MAX PULL 13 lbs.
- (j) 2 REQ'D ~ 1/8" X 75 X 200 - S.A.E. 1020 H.R.S.
- (k) 1 REQ'D ~ 1/8" X 200 X 200 - S.A.E. 1020 H.R.S.

PAINT NOTE: SAFETY ORANGE

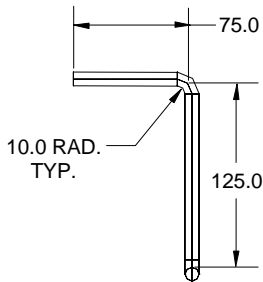
NOTE:  
 ALL DIM'S ARE METRIC  
 EXCEPT DIM'S MARKED\*  
 WHICH ARE IN INCHES.

REFER TO SHEET C-11.1 FOR FAB OF SUB DETAILS c, d, g, h, & i.

FENCE ASSY. HEIGHT	NAAMS CODE	SCREEN PATTERN	A	B	D	E
1755.0	APF538M	Y	1550.0	1530.0	470.0	775.0
1525.0	APF536M	Z	1245.0	1220.0	320.0	620.0
2135.0 & 2005.0	APF537M	Z	1855.0	1835.0	625.0	930.0
2200.0	APF700M	Z	2020.0	2000.0	705.0	1010.0

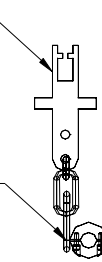
A  
 B  
 F  
 I  
 H  
 D  
 E  
 C  
 G  
 J

# METRIC PERIMETER FENCE GATE

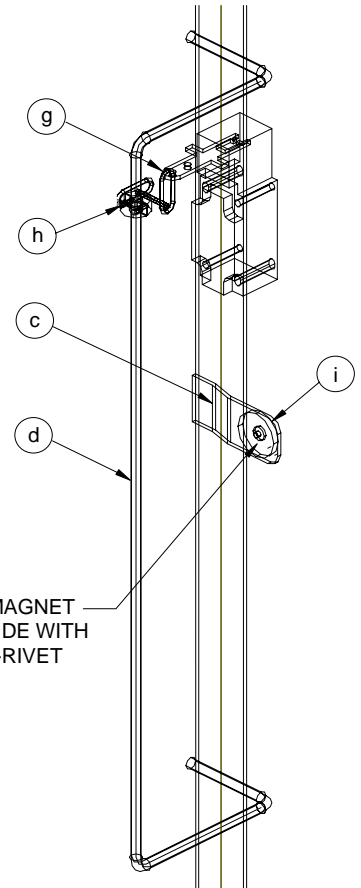


INTERLOCK SWITCH KEY  
 PER USER SPECIFICATION

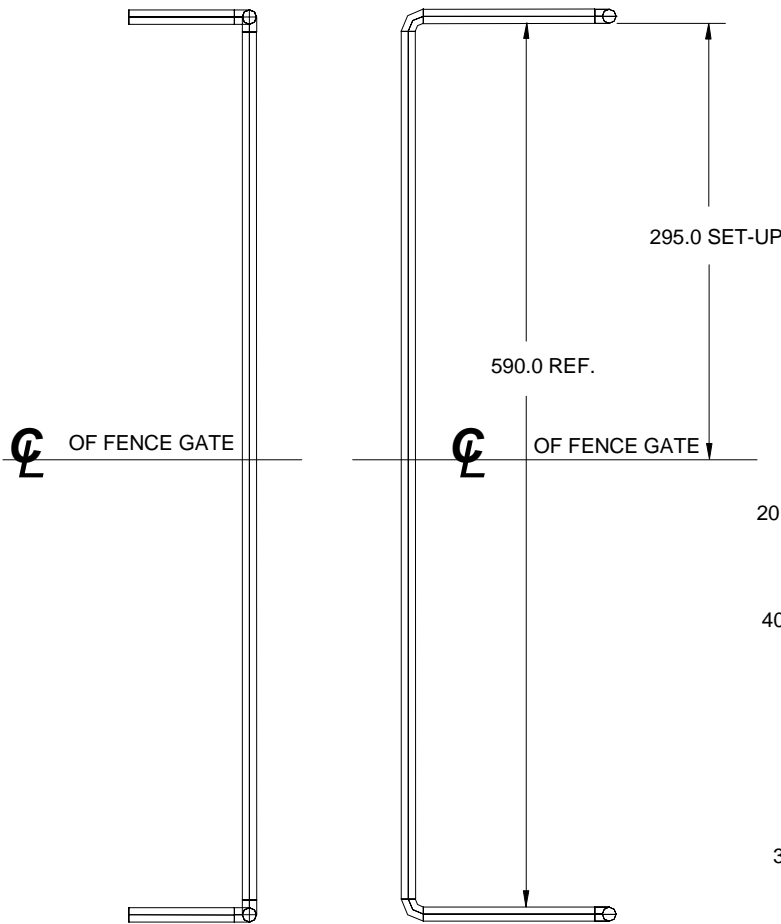
WELD CHAIN, BOTH HALFS  
 OF SPLIT COLAR & SCREW  
 AS SHOWN AFTER ATTACHING  
 TO SUB-DETAIL "d"



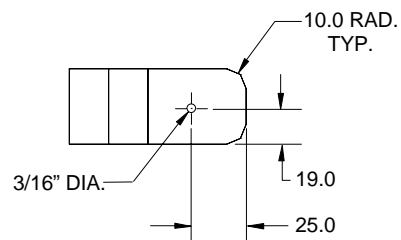
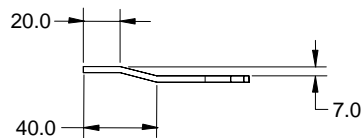
SUB-DET. "g" & "h"



ATTACH MAGNET  
 ON FAR SIDE WITH  
 3/16" POP-RIVET



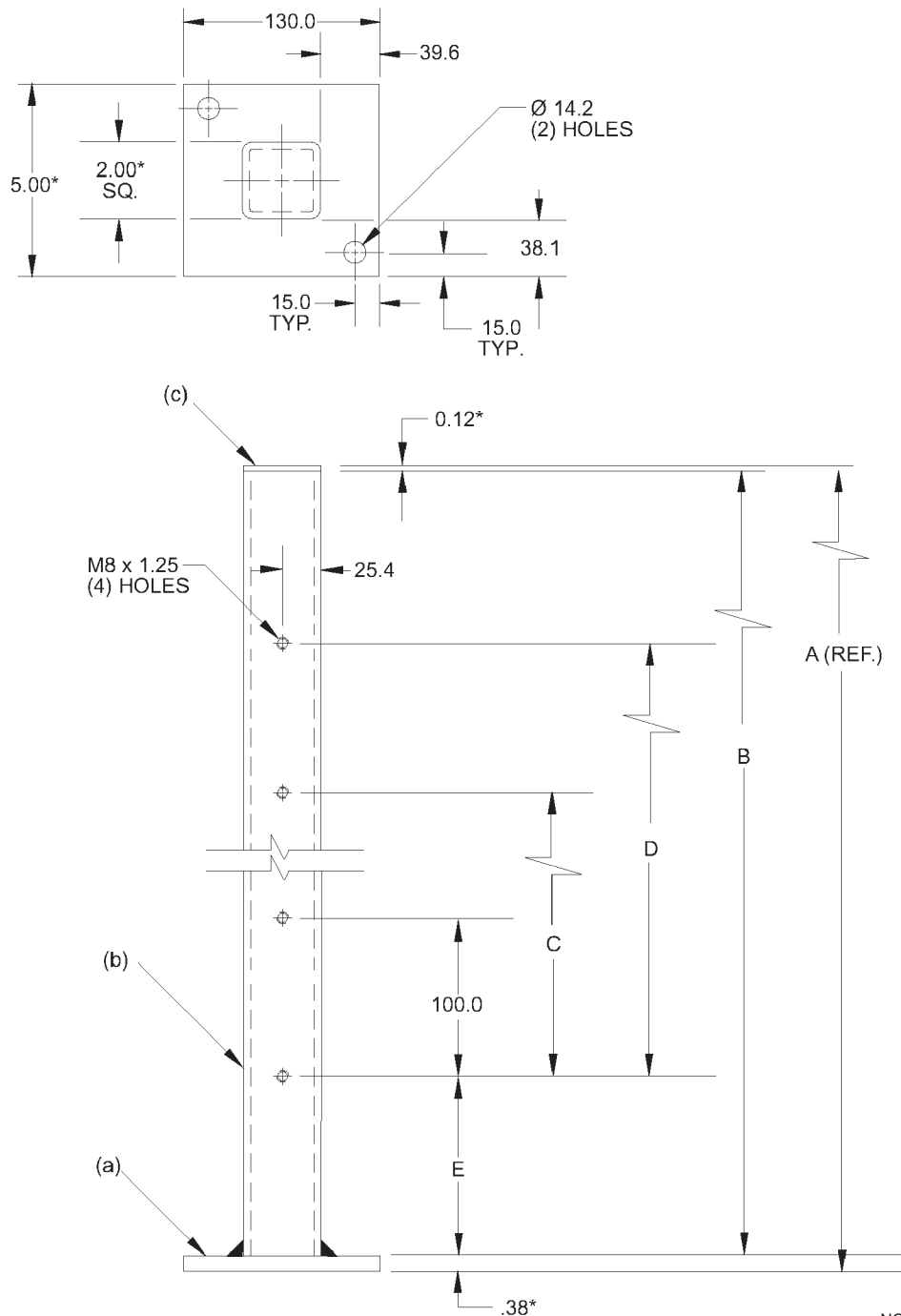
SUB-DET. "d"



SUB-DET. "c"

- (c) 1 REQ'D. ~ 1/8" x 1 1/2" x 90.0mm LG. ~ SAE 1020 H.R.S
- (d) 1 REQ'D. ROUND STK. 3/8" x 1010.0mm LG. ~ SAE 1020 H.R.S.
- (g) 1 REQ'D. GRADE 30 GENERAL PURPOSE PROOF COIL STEEL CHAIN  
 1/8" DIA. X 1/4" WIDE x 1 1/4" LG. ~ THREE LINKS.
- (h) 1 REQ'D. 3/8" I.D. TWO PIECE CLAMP COLLAR.
- (i) 1 REQ'D. CERAMIC POT MAGNET 1.4" DIA x 9/32" THICK  
 WITH 3/16" HOLE ~ MAX PULL 13 lbs.

# METRIC PERIMETER FENCE POST



**POST**

- (a) 1 REQ'D ~ 3/8" x 5" x 130.0 mm – S.A.E. 1020 H.R.S.
- (b) 1 REQ'D; D ~ 2" x 2" x 3/16" W/T x B mm – STL. TUBING
- (c) 1 REQ'D ~ 1/8" x 2" x 50.0 mm – S.A.E. 1020 H.R.S.

PAINT SAFETY YELLOW

NOTE:  
 ALL DIM'S ARE METRIC  
 EXCEPT DIM'S MARKED\*  
 WHICH ARE IN INCHES.

FENCE ASSY. HEIGHT	A/SP	A	B	C	D	E
1525.0	APF539M	1525.0	1512.3	810.00	910.00	435.0
2135.0	APF540M	2135.0	2122.3	1420.00	1520.00	435.0
1755.0	APF541M	1755.0	1740.0	1120.00	1220.00	360.0
2005.0	APF601M	2005.0	1992.0	1420.00	1520.00	305.0
2200.0	APF701M	2200.0	2187.3	1585.00	1685.00	335.0

D

A

C

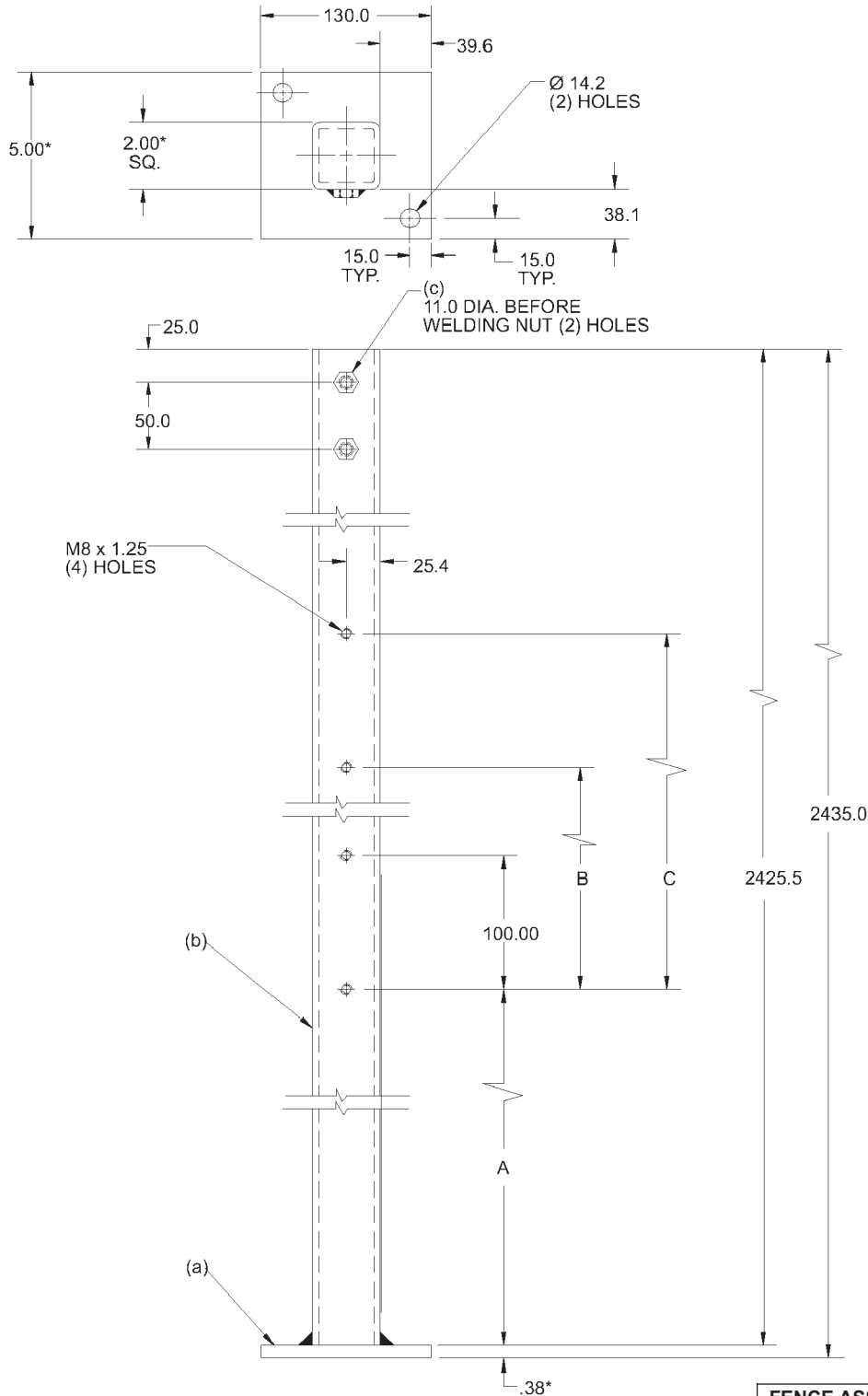
F

B

E

G

# METRIC PERIMETER FENCE POST



NOTE:  
 ALL DIM'S ARE METRIC.  
 EXCEPT DIM'S MARKED\*  
 WHICH ARE IN INCHES.

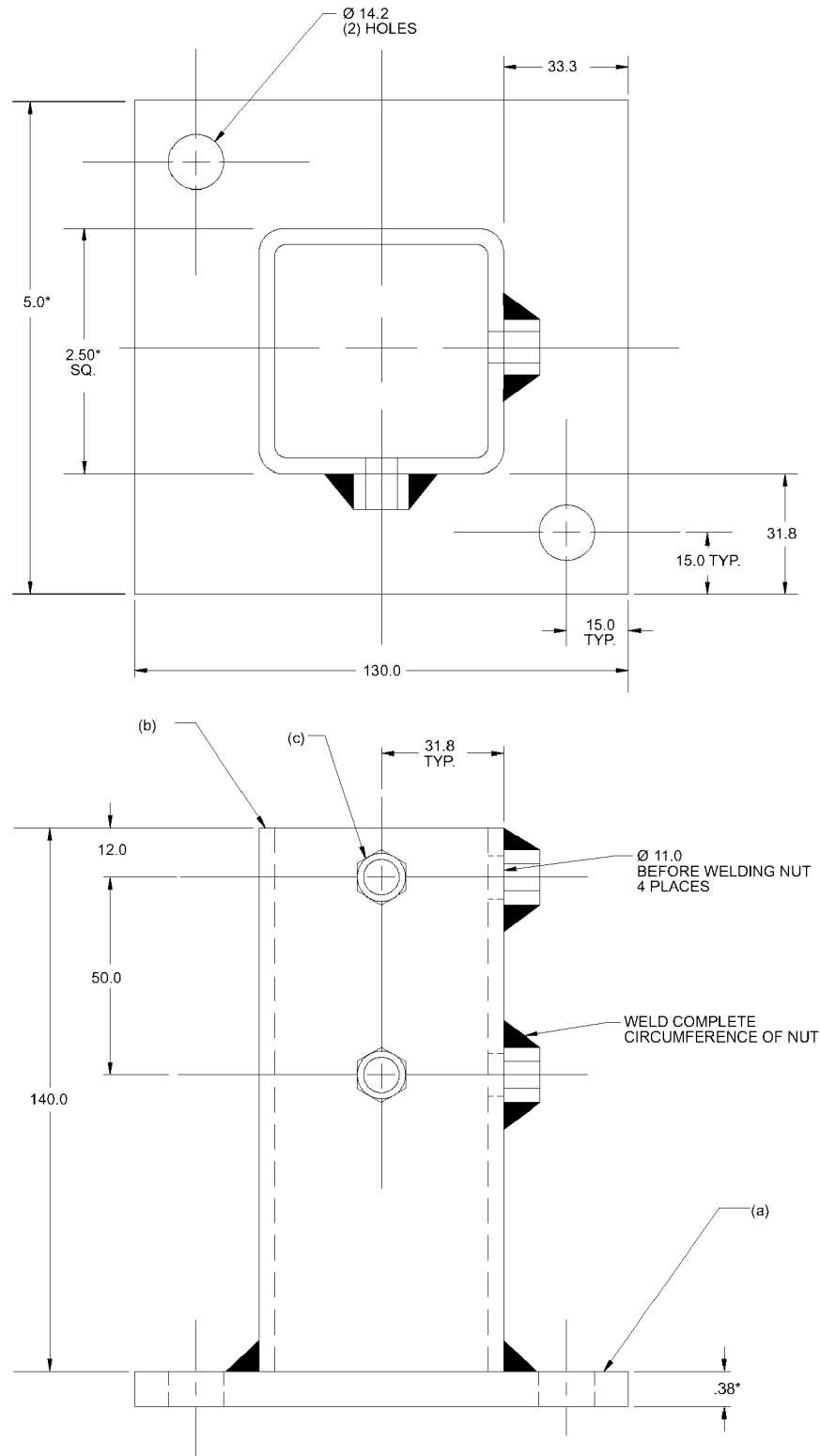
POST  
 (a) 1 REQ'D ~ 3/8" x 5" x 130.0 mm – S.A.E. 1020 H.R.S.  
 (b) 1 REQ'D ~ 2" x 2" x 3/16" W/T x 2425.5 mm – STL. TUBING  
 (c) 2 REQ'D ~ M8 x 1.25 – HEX NUT REGULAR  
 PAINT SAFETY YELLOW

FENCE ASSY. HEIGHT	A/SP	A	B	C
1525.0	APF542M	435.0	810.0	910.0
2135.0	APF543M	435.0	1420.0	1520.0
1755.0	APF544M	360.0	1120.0	1220.0
2005.0	APF602M	305.0	1420.0	1520.0
2200.0	APF702M	335.0	1585.0	1685.0

B  
 A  
 D  
 C  
 E



# METRIC PERIMETER FENCE POST FOOT APF545M



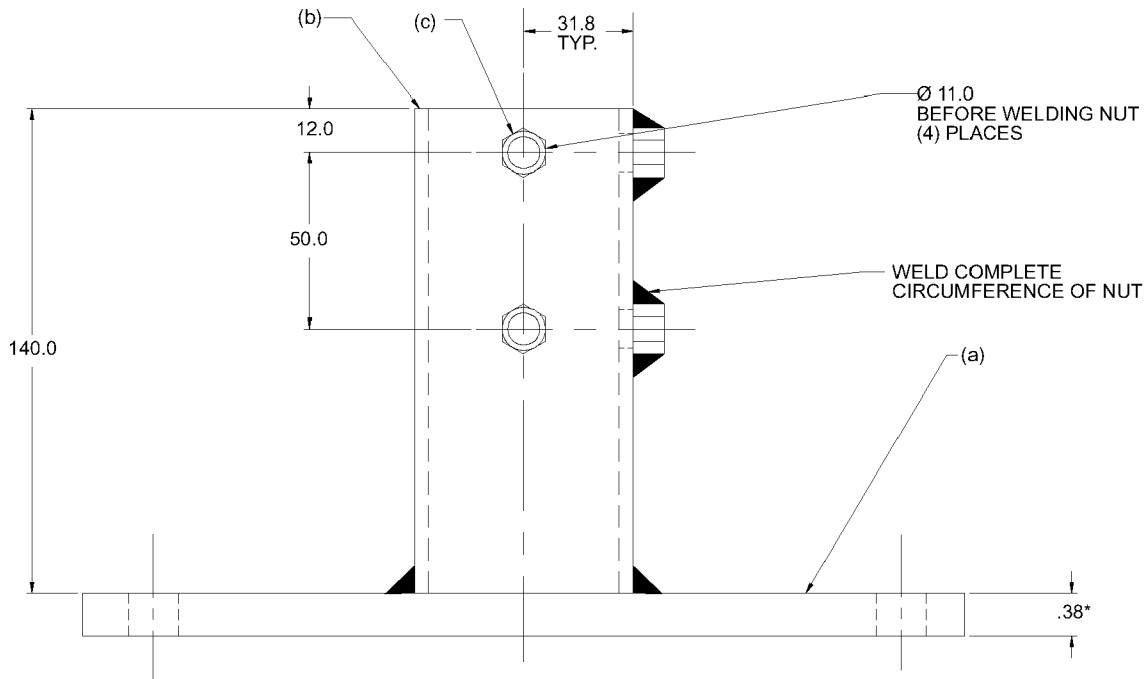
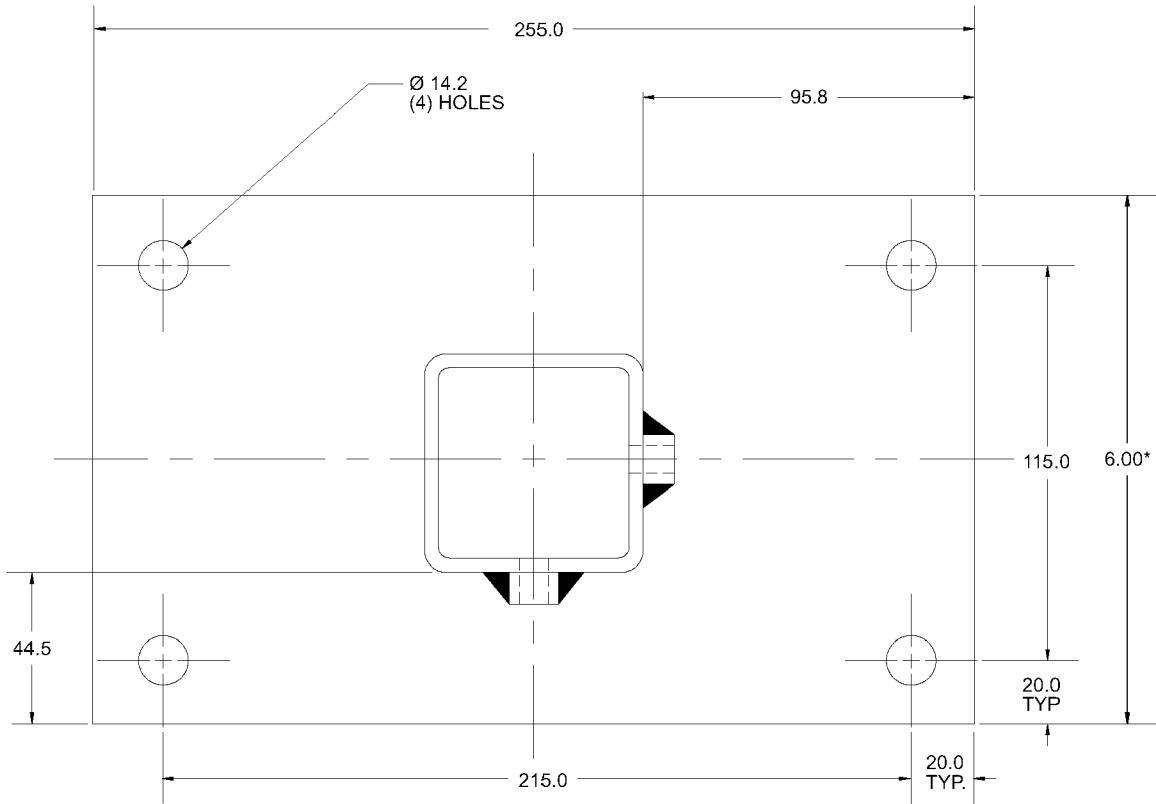
**FOOT**

- (a) 1 REQ'D ~ 3/8" x 5" x 130.0 mm – S.A.E. 1020 H.R.S
- (b) 1 REQ'D ~ 2-1/2" x 2-1/2" x 3/16" W/T x 140.0 mm – S.I.L. 1
- (c) 4 REQ'D ~ M8 x 1.25 – HEX NUT REGULAR

PAINT SAFETY YELLOW

**A**

# METRIC PERIMETER FENCE POST FOOT APF546M

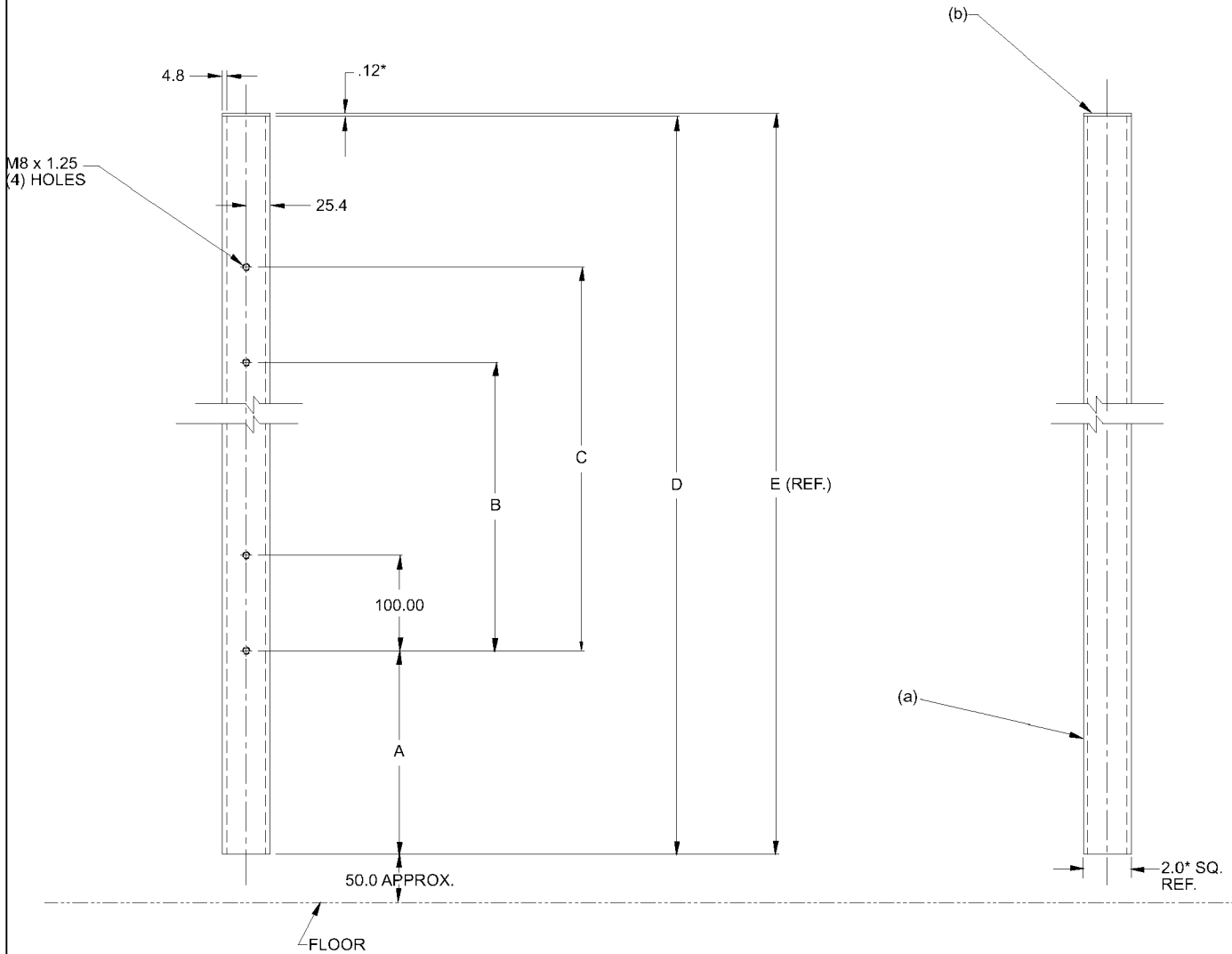


**FOOT**

- (a) 1 REQ'D ~ 3/8" x 6" x 255.0 mm – S.A.E. 1020 H.R.S.
  - (b) 1 REQ'D ~ 2-1/2" x 2-1/2" x 3/16" W/T x 140.0 mm – STL.
  - (c) 4 REQ'D ~ M8 x 1.25 – HEX NUT REGULAR
- PAINT SAFETY YELLOW

**A**

# METRIC PERIMETER ADJUSTABLE FENCE POST



POST  
 (a) 1 REQ'D ~ 2" x 2" x 3/16" W/T x D mm – STL. TUBING  
 (b) 1 REQ'D ~ 1/8" x 2" x 50.0 mm – S.A.E. 1020 H.R.S.  
 PAINT SAFETY YELLOW

NOTE:  
 ALL DIM'S ARE METRIC  
 EXCEPT DIM'S MARKED \*  
 WHICH ARE IN INCHES.

FENCE ASSY. HEIGHT	A/SP	A	B	C	D	E
1525.0	APF547M	395.0	810.00	910.00	1471.8	1475.0
2135.0	APF548M	395.0	1420.00	1520.00	2081.8	2085.0
1755.0	APF549M	320.0	1120.00	1220.00	1700.0	1703.0

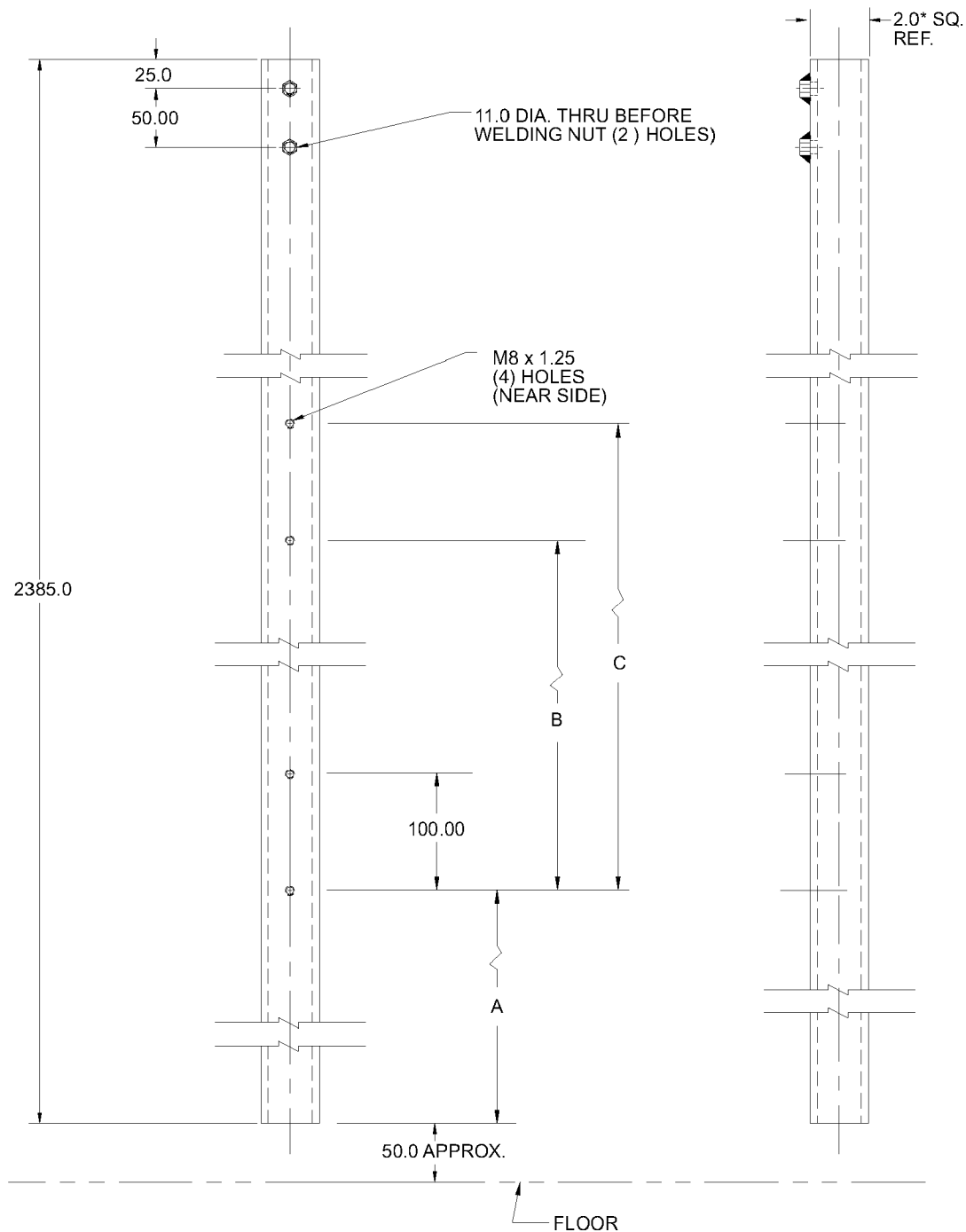
A

C

B

D

# METRIC PERIMETER ADJUSTABLE FENCE POST



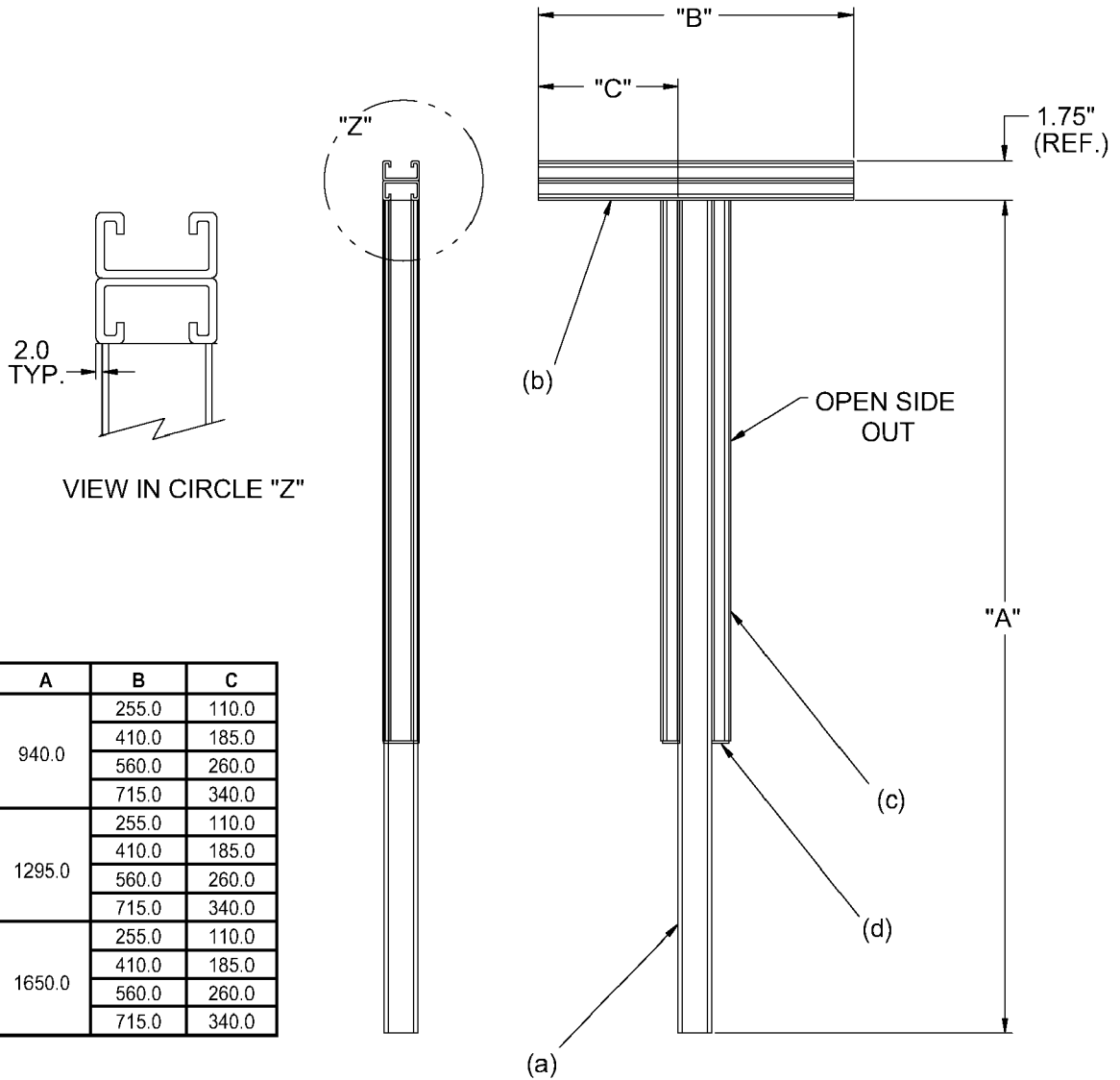
NOTE:  
 ALL DIM'S ARE METRIC  
 EXCEPT DIM'S MARKED \*  
 WHICH ARE IN INCHES.

FENCE ASSY. HEIGHT	A/SP	A	B	C
1525.0	APF550M	395.0	810.00	910.00
2135.0	APF551M	395.0	1420.00	1520.00
1755.0	APF552M	320.0	1120.00	1220.00

POST  
 2" x 2" x 3/16" W/T x 2385.0 mm – STL. TUBING  
 PAINT SAFETY YELLOW

**B**  
**A**  
**C**

# CABLE TRAY SUPPORT



NAAMS CODE	A	B	C
APF553M	940.0	255.0	110.0
APF554M		410.0	185.0
APF555M		560.0	260.0
APF556M		715.0	340.0
APF557M	1295.0	255.0	110.0
APF558M		410.0	185.0
APF559M		560.0	260.0
APF560M		715.0	340.0
APF561M	1650.0	255.0	110.0
APF562M		410.0	185.0
APF563M		560.0	260.0
APF564M		715.0	340.0

- MAT'L: (a) 1 REQ'D ~ S.A.E. STL. TUB'G~ 1 1/2" x 1 1/2" x 3/16" w/t x "A" mm LG.  
 (b) 1 REQ'D ~ ACTOO2 (SEE P B-8) x "B" mm LG.  
 (c) 2 REQ'D ~ ACTOO1 (SEE P B-8) x 610.0 mm LG.  
 (d) 2 REQ'D ~ SHEET STL.~ 12 GA. x 20.0 x 40.0 mm LG.

PAINT SAFETY YELLOW

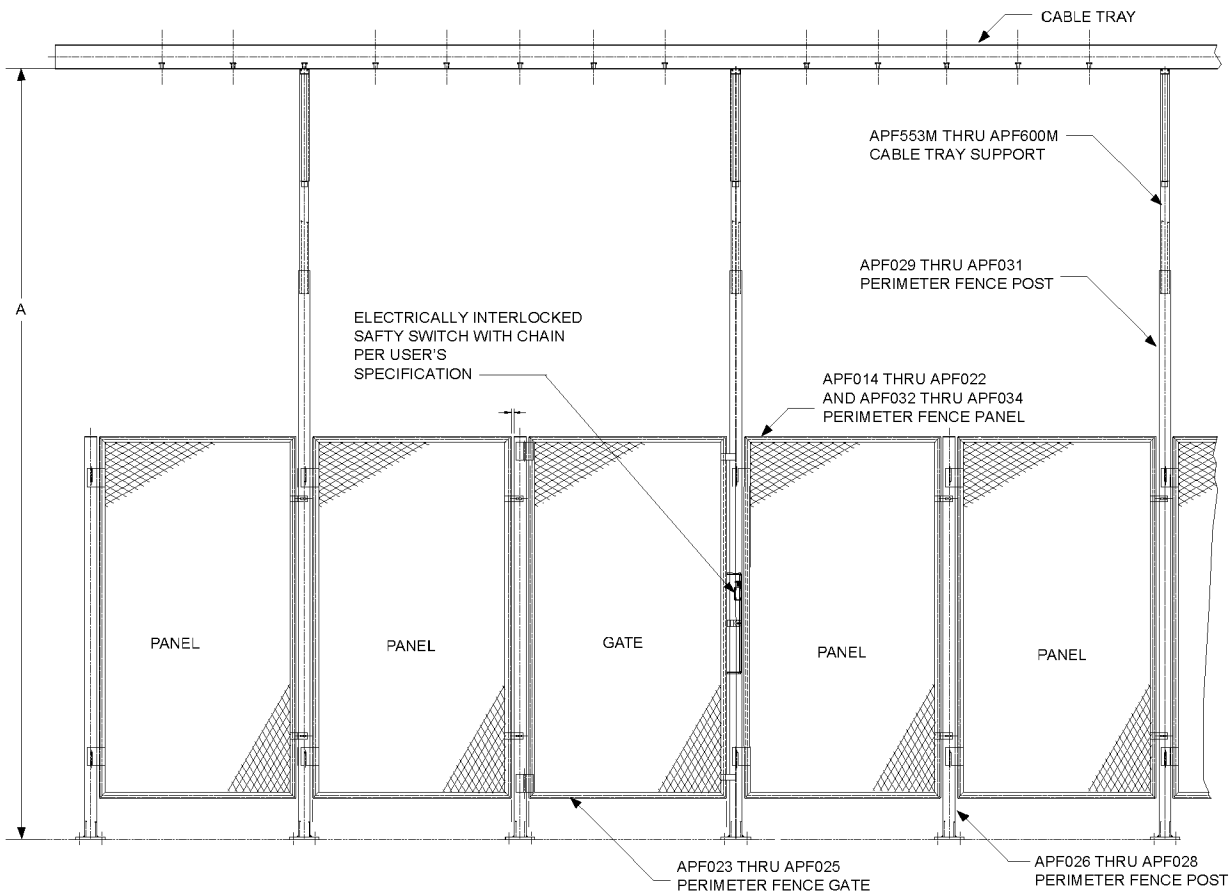
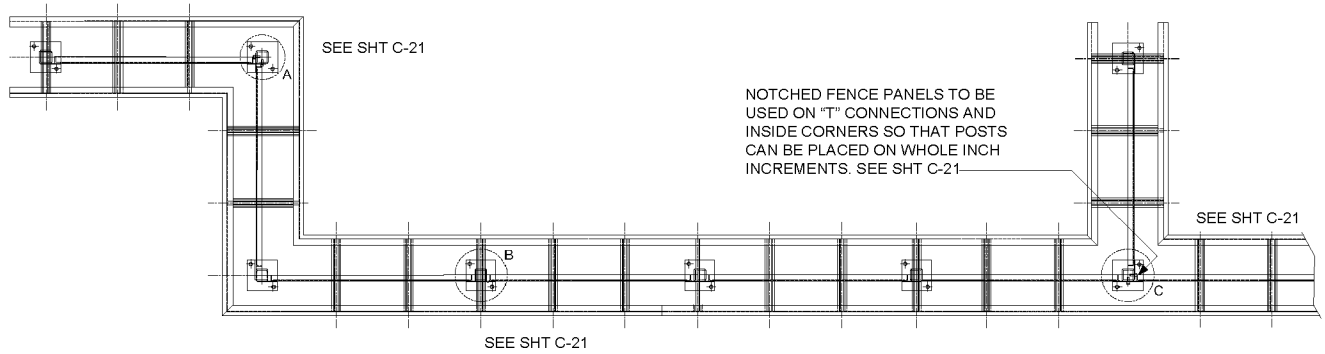
B

C

D

A

# INCH PERIMETER FENCING ASSEMBLY (FIXED HEIGHT)

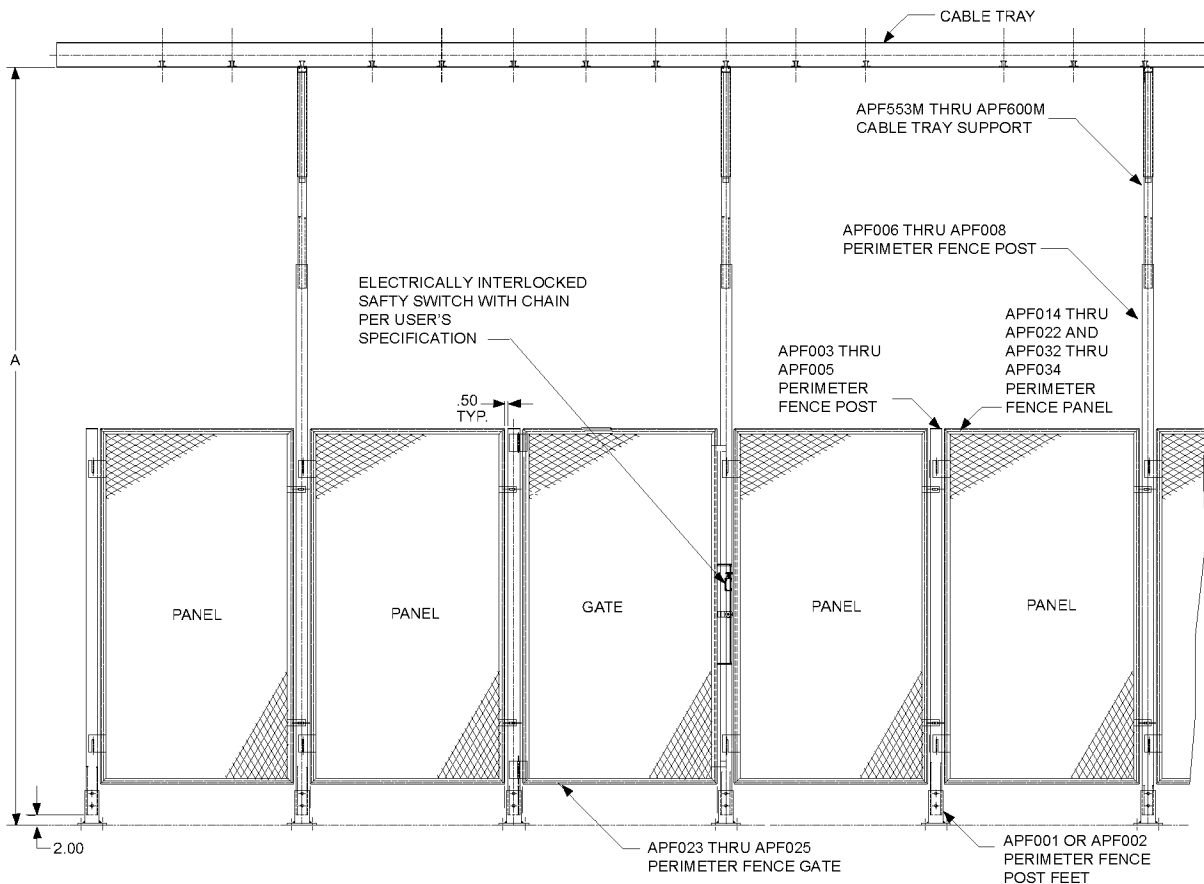
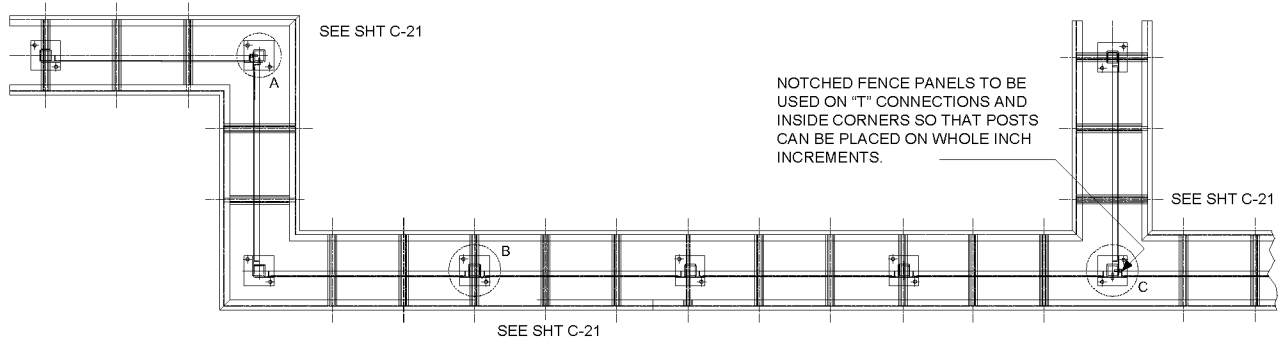


**B**  
**A**  
**D**

PERIMETER FENCE POST	CABLE TRAY SUPPORT	A APPROX. MIN.	A APPROX. MAX.
APF029 THRU APF031	APF553M-APF556M, APF565M-APF568M, APF577M-APF580M, APF589M-APF592M	122.00	129.00
	APF557M-APF560M, APF569M-APF572M, APF581M-APF584M, APF593M-APF596M	129.00	143.00
	APF561M-APF564M, APF573M-APF576M, APF585M-APF588M, APF597M-APF600M	143.00	157.00

**C**

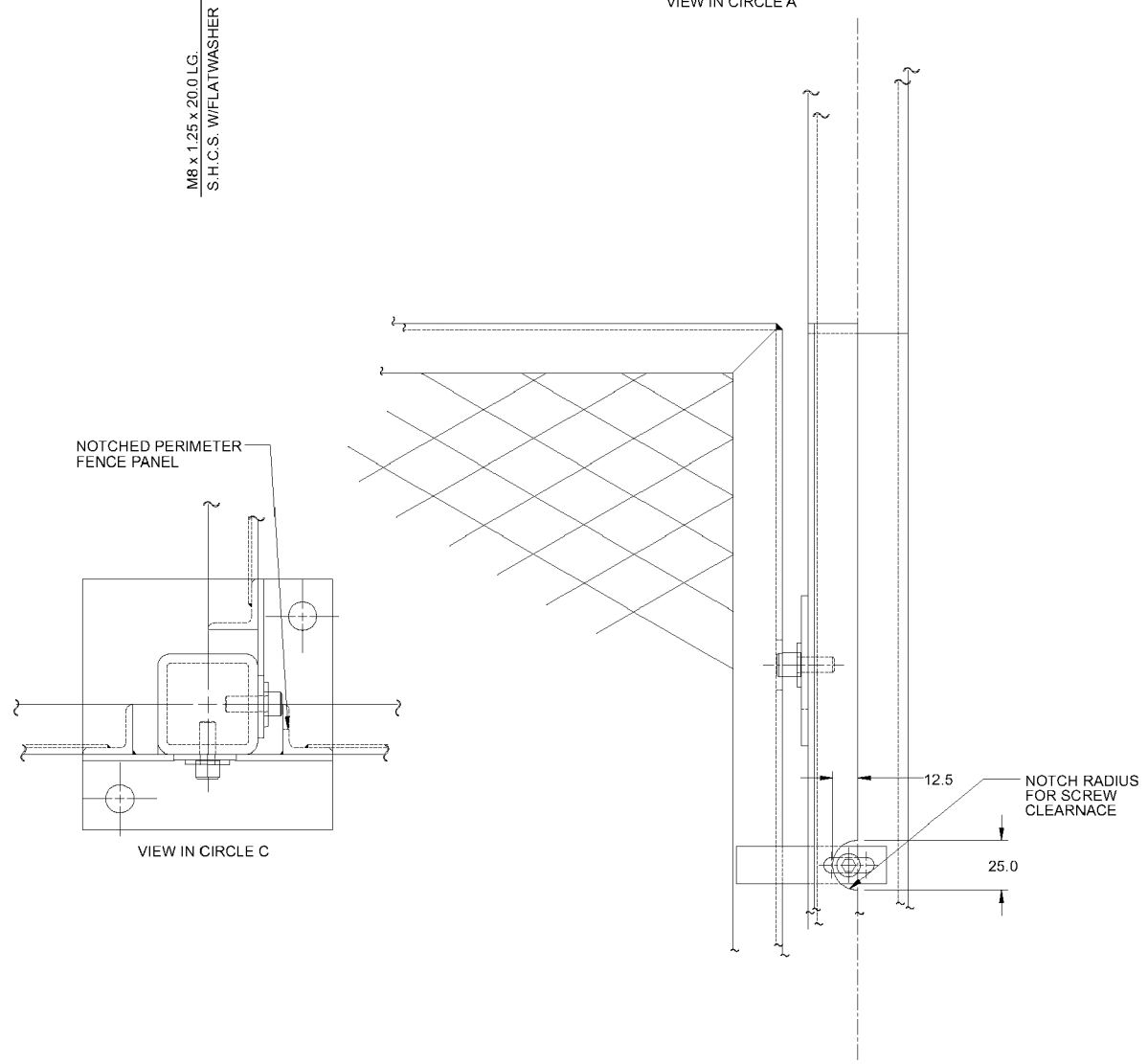
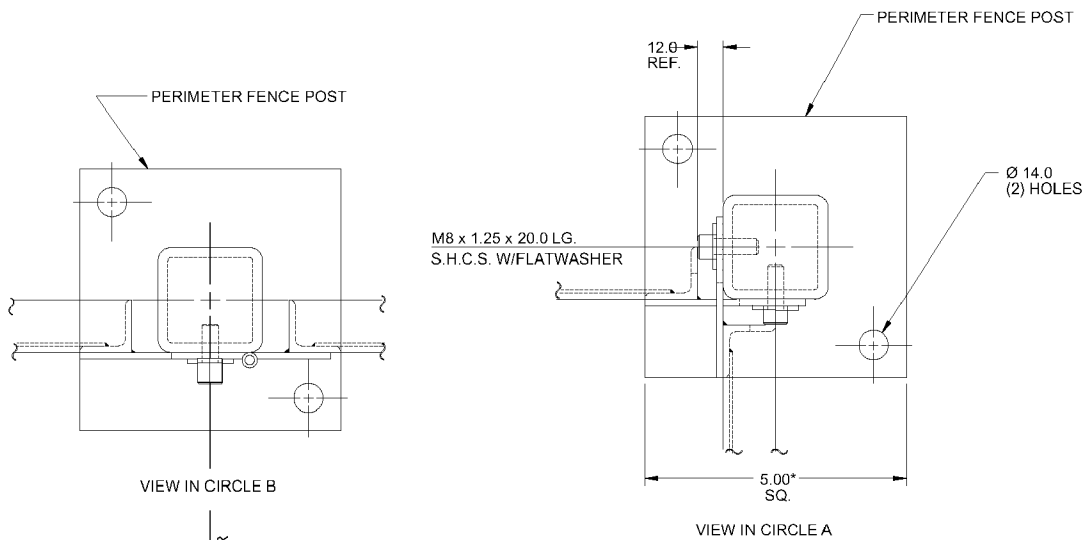
# INCH PERIMETER FENCING ASSEMBLY (ADJUSTABLE HEIGHT)



A  
D  
B  
C

PERIMETER FENCE POST	CABLE TRAY SUPPORT	A	
		APPROX. MIN.	APPROX. MAX.
APF006 THRU APF008	APF553M-APF556M, APF565M-APF568M, APF577M-APF580M, APF589M-APF592M	122.00	129.00
	APF557M-APF560M, APF569M-APF572M, APF581M-APF584M, APF593M-APF596M	129.00	143.00
	APF561M-APF564M, APF573M-APF576M, APF585M-APF588M, APF597M-APF600M	143.00	157.00

# PERIMETER FENCING ASSEMBLY VIEWS

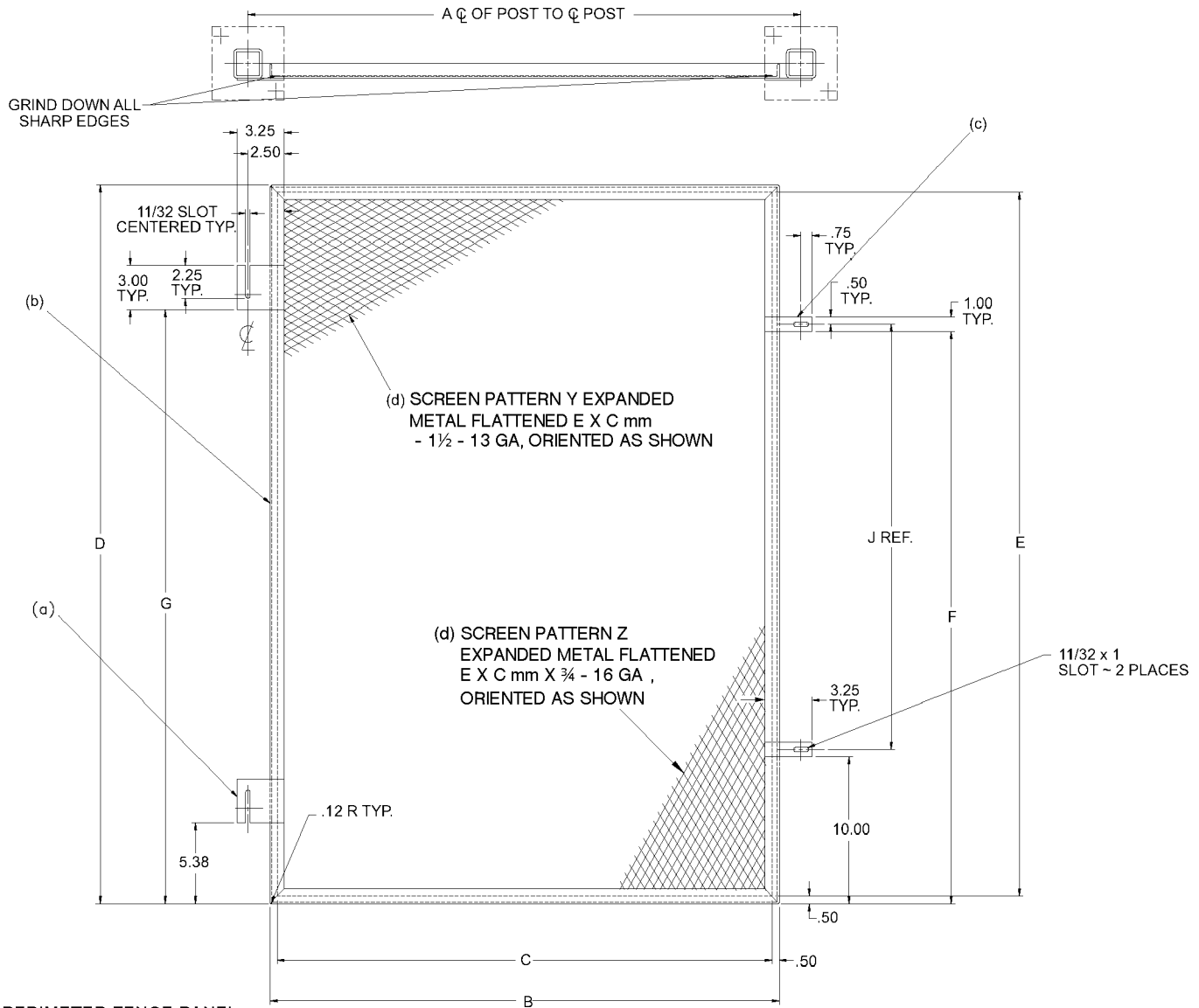


**B**

**A**



# INCH PERIMETER FENCE PANEL



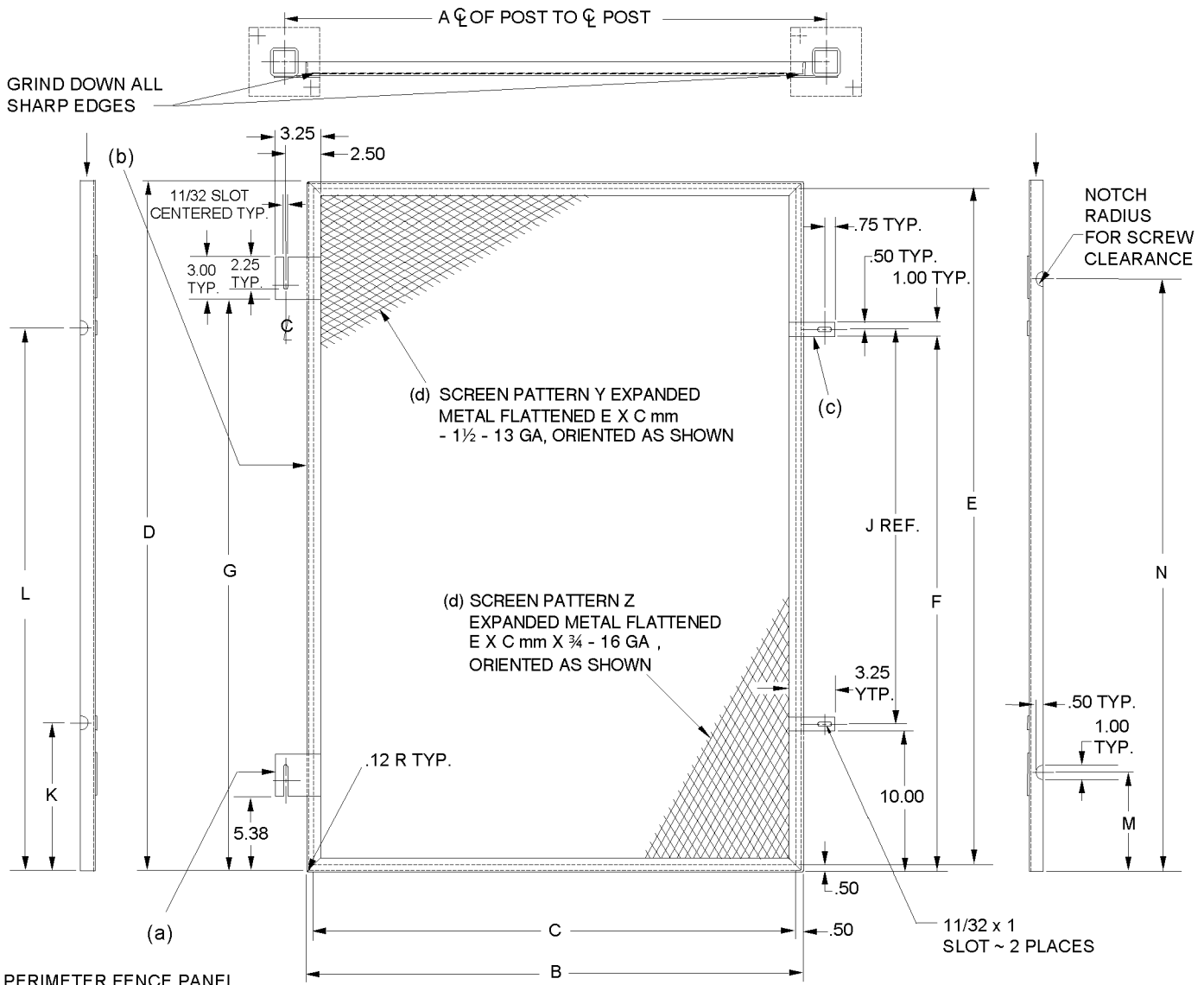
**PERIMETER FENCE PANEL**

- (a) 2 REQ'D ~ PLATE 1.8 x 3 x 3 1/4 - S.A.E 1020 H.R.S.
- (b) 1 REQ'D ~ STL. ANGLE 1 x 1 x 1/8 w/t x H LG.
- (c) 2 REQ'D ~ PLATE 1/8 x 1 x 3 1/4 - S.A.E. 1020 H.R.S.
- (d) 1 REQ'D ~ TO SCREEN PATTERN Y OR Z

**PAINT NOTE:**  
 SAFETY BLACK EXCEPT FRONT OF ANGLES "e" ARE SAFETY YELLOW

FENCE ASSY. HEIGHT	NAAMS CODE	SCREEN PATTERN	A	B	C	D	E	F	G	H	J
5'9"	APF020	Y	24.00	21.00	20.00	61.00	60.00	50.00	52.63	162 1/2	40.00
	APF021	Y	36.00	33.00	32.00	61.00	60.00	50.00	52.63	186 1/2	40.00
	APF022	Y	48.00	45.00	44.00	61.00	60.00	50.00	52.63	210 1/2	40.00
	APF034	Y	52.00	49.00	48.00	61.00	60.00	50.00	52.63	218 1/2	40.00
5'	APF014	Z	24.00	21.00	20.00	49.00	48.00	38.00	40.63	138 1/2	28.00
	APF015	Z	36.00	33.00	32.00	49.00	48.00	38.00	40.63	162 1/2	28.00
	APF016	Z	48.00	45.00	44.00	49.00	48.00	38.00	40.63	186 1/2	28.00
	APF032	Z	52.00	49.00	48.00	49.00	48.00	38.00	40.63	194 1/2	28.00
7'	APF017	Z	24.00	21.00	20.00	73.00	72.00	62.00	64.63	186 1/2	52.00
	APF018	Z	36.00	33.00	32.00	73.00	72.00	62.00	64.63	210 1/2	52.00
	APF019	Z	48.00	45.00	44.00	73.00	72.00	62.00	64.63	234 1/2	52.00
	APF033	Z	52.00	49.00	48.00	73.00	72.00	62.00	64.63	242 1/2	52.00

# INCH PERIMETER FENCE PANEL (NOTCHED)



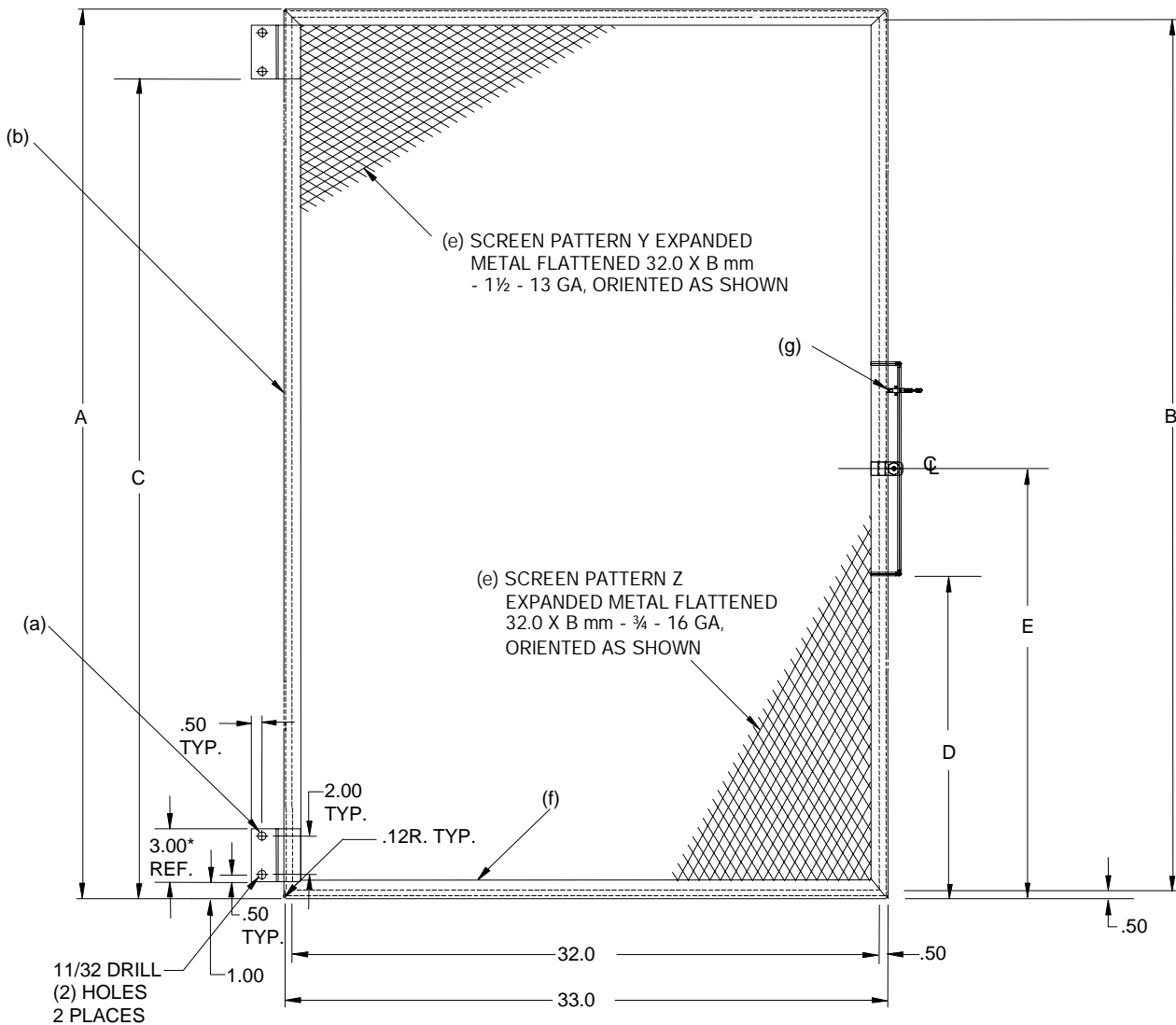
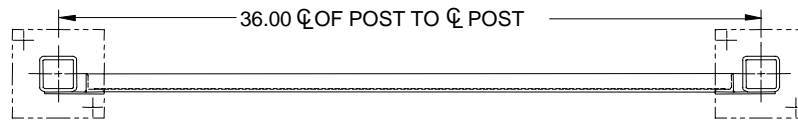
**PERIMETER FENCE PANEL**

- (a) 2 REQ'D ~ PLATE 1.8 x 3 x 3 1/4 - S.A.E 1020 H.R.S.
- (b) 1 REQ'D ~ STL. ANGLE 1 x 1 x 1/8 w/t x H LG.
- (c) 2 REQ'D ~ PLATE 1/8 x 1 x 3 1/4 - S.A.E. 1020 H.R.S.
- (d) 1 REQ'D ~ TO SCREEN PATTERN Y OR Z

**PAINT NOTE:**  
 SAFETY BLACK EXCEPT FRONT OF ANGLES "e" ARE SAFETY YELLOW

FENCE ASSY. HEIGHT	NAAMS CODE	SCREEN PATTERN	A	B	C	D	E	F	G	H	J	K	L	M	N
5'9"	APF020N	Y	24.00	21.00	20.00	61.00	60.00	50.00	52.63	162 1/2	40.00	10.50	50.50	6.50	54.50
	APF021N	Y	36.00	33.00	32.00	61.00	60.00	50.00	52.63	186 1/2	40.00	10.50	50.50	6.50	54.50
	APF022N	Y	48.00	45.00	44.00	61.00	60.00	50.00	52.63	210 1/2	40.00	10.50	50.50	6.50	54.50
	APF034N	Y	52.00	49.00	48.00	61.00	60.00	50.00	52.63	218 1/2	40.00	10.50	50.50	6.50	54.50
5'	APF014N	Z	24.00	21.00	20.00	49.00	48.00	38.00	40.63	138 1/2	28.00	10.50	38.50	6.50	42.50
	APF015N	Z	36.00	33.00	32.00	49.00	48.00	38.00	40.63	162 1/2	28.00	10.50	38.50	6.50	42.50
	APF016N	Z	48.00	45.00	44.00	49.00	48.00	38.00	40.63	186 1/2	28.00	10.50	38.50	6.50	42.50
	APF032N	Z	52.00	49.00	48.00	49.00	48.00	38.00	40.63	194 1/2	28.00	10.50	38.50	6.50	42.50
7'	APF017N	Z	24.00	21.00	20.00	73.00	72.00	62.00	64.63	186 1/2	52.00	10.50	62.50	6.50	66.50
	APF018N	Z	36.00	33.00	32.00	73.00	72.00	62.00	64.63	210 1/2	52.00	10.50	62.50	6.50	66.50
	APF019N	Z	48.00	45.00	44.00	73.00	72.00	62.00	64.63	234 1/2	52.00	10.50	62.50	6.50	66.50
	APF033N	Z	52.00	49.00	48.00	73.00	72.00	62.00	64.63	242 1/2	52.00	10.50	62.50	6.50	66.50

# INCH PERIMETER FENCE GATE



**GATE**

- (a) 2 REQ'D - STL. BUTT HINGE - 3 X 3
- (b) 2 REQ'D - 1" x 1" x 1/8" wt. x A mm - STL. ANGLE
- (c) 1 REQ'D - 1/8" x 1 1/2" x 3 1/2" - S.A.E. 1020 H.R.S.
- (d) 1 REQ'D - 3/8" ROUN D STK. X 39 3/4" - S.A.E. 1020 H.R.S.
- (e) 1 REQ'D - TO SCREEN PATTERN Y OR Z
- (f) 2 REQ'D - 1" x 1" x 1/8" wt. X 33" - STL. ANGLE
- (g) 1 REQ'D - GRADE 30 GENERAL PURPOSE PROOF COIL STEEL CHAIN 1/8" DIA. X 1/4" WIDE x 1 1/4" LG. - THREE LINKS.
- (h) 1 REQ'D - 3/8" I.D. TWO PIECE CLAMP COLLAR
- (i) 1 REQ'D - CERAMIC POT MAGNET 1.4" DIA x 9/32" THICK WITH 3/16" HOLE - MAX PULL 13 lbs.

REFER TO SHEET C-24.1 FOR FAB OF SUB DETAILS c, d, g, h, & i.

**PAINT NOTE:**

EXPANDED METAL SAFETY YELLOW BLACK  
 FRAMES SAFETY YELLOW  
 SAFETY YELLOW "X" ON BACK SIDE OF SCREEN FROM  
 CORNER TO CORNER 4" WIDE STRIPES

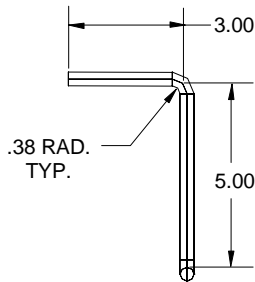
FENCE ASSY. HEIGHT	NAAMS CODE	SCREEN PATTERN	A	B	C	D	E
5'9"	APF025	Y	61.00	60.00	186.50	18.50	30.50
5'	APF023	Z	49.00	48.00	162.50	12.50	24.50
7'	APF024	Z	73.00	72.00	210.50	24.50	36.50

B  
C  
A

G

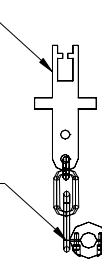
I  
E  
F  
D  
H

# INCH PERIMETER FENCE GATE

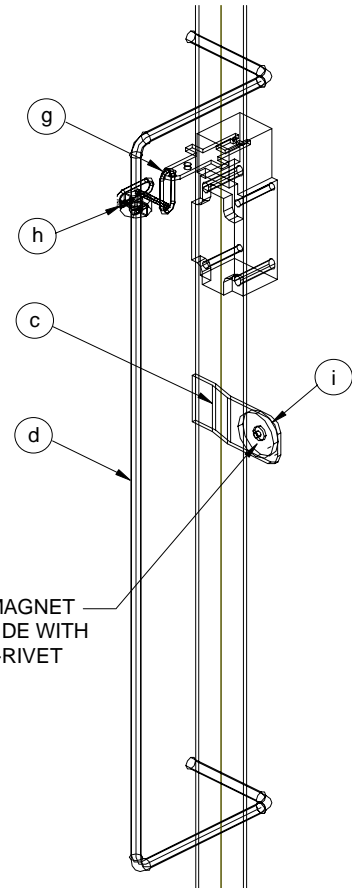


INTERLOCK SWITCH KEY  
PER USER SPECIFICATION

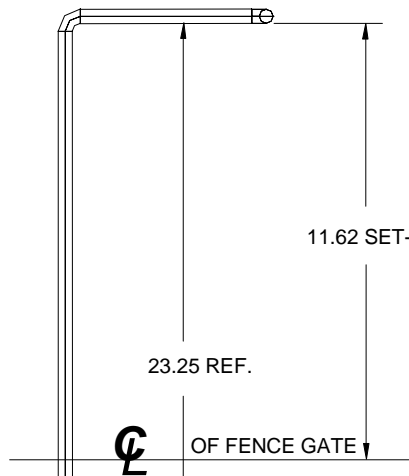
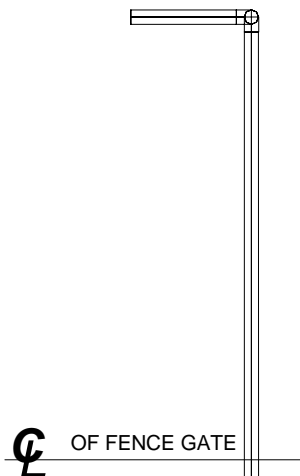
WELD CHAIN, BOTH HALFS  
OF SPLIT COLAR & SCREW  
AS SHOWN AFTER ATTACHING  
TO SUB-DETAIL "d"



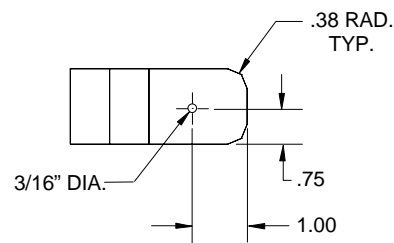
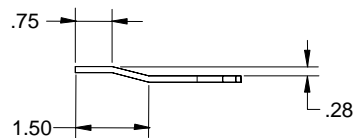
SUB-DET. "g" & "h"



ATTACH MAGNET  
ON FAR SIDE WITH  
3/16" POP-RIVET



SUB-DET. "d"

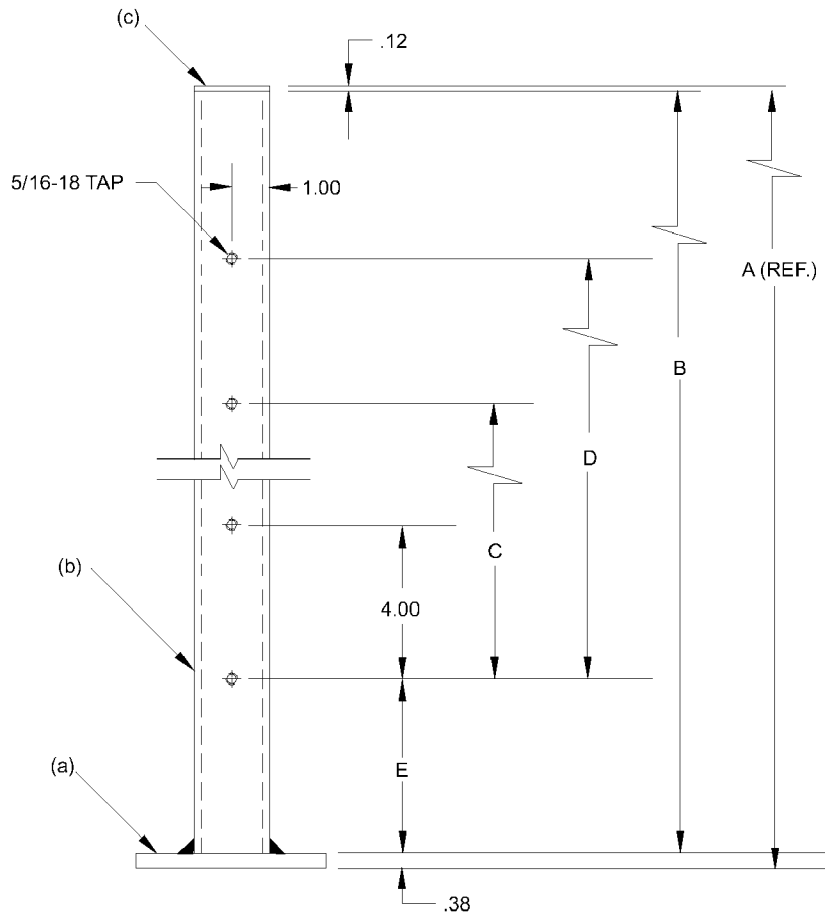
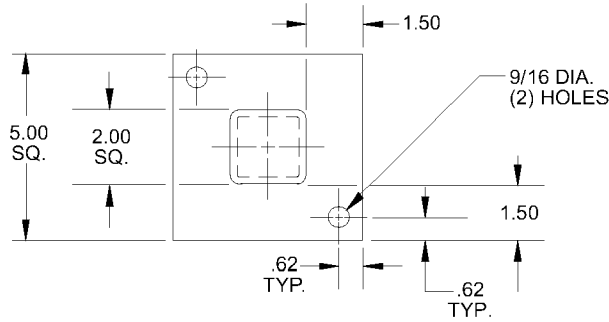


SUB-DET. "c"

ALL DIMENSIONS ARE IN INCHES

- (c) 1 REQ'D. ~ 1/8" x 1 1/2" x 3 1/2" LG. ~ SAE 1020 H.R.S
- (d) 1 REQ'D. ROUND STK. 3/8" x 39 3/4" LG. ~ SAE 1020 H.R.S.
- (g) 1 REQ'D. GRADE 30 GENERAL PURPOSE PROOF COIL STEEL CHAIN  
1/8" DIA. X 1/4" WIDE x 1 1/4" LG. ~ THREE LINKS.
- (h) 1 REQ'D. 3/8" I.D. TWO PIECE CLAMP COLLAR.
- (i) 1 REQ'D. CERAMIC POT MAGNET 1.4" DIA x 9/32" THICK  
WITH 3/16" HOLE ~ MAX PULL 13 lbs.

# PERIMETER FENCE POST



- POST  
 1 REQ'D ~ WELDED CONST.  
 (a) 1 REQ'D ~ PLATE 3/8 x 5 x 5 S.A.E. 1020 H.R.S.  
 (b) 1 REQ'D ~ STL. TUBING 2 x 2 x 3/16 w/t x B  
 (c) 1 REQ'D ~ PLATE 1/8 x 2 x 2 S.A.E. 1020 H.R.S.  
 PAINT SAFETY YELLOW

FENCE ASSY. HEIGHT	A/SP	A	B	C	D	E
5'	APF026	60.00	59.50	32.00	36.00	17.12
7'	APF027	84.00	83.50	56.00	60.00	17.12
5'9"	APF028	69.00	68.50	44.00	48.00	14.12

NOTE:  
 EXCEPT AS NOTED TOLERANCES SHALL BE:  
 2 PLACE MACHINING ± .01  
 2 PLACE FABRICATION ± .06

D

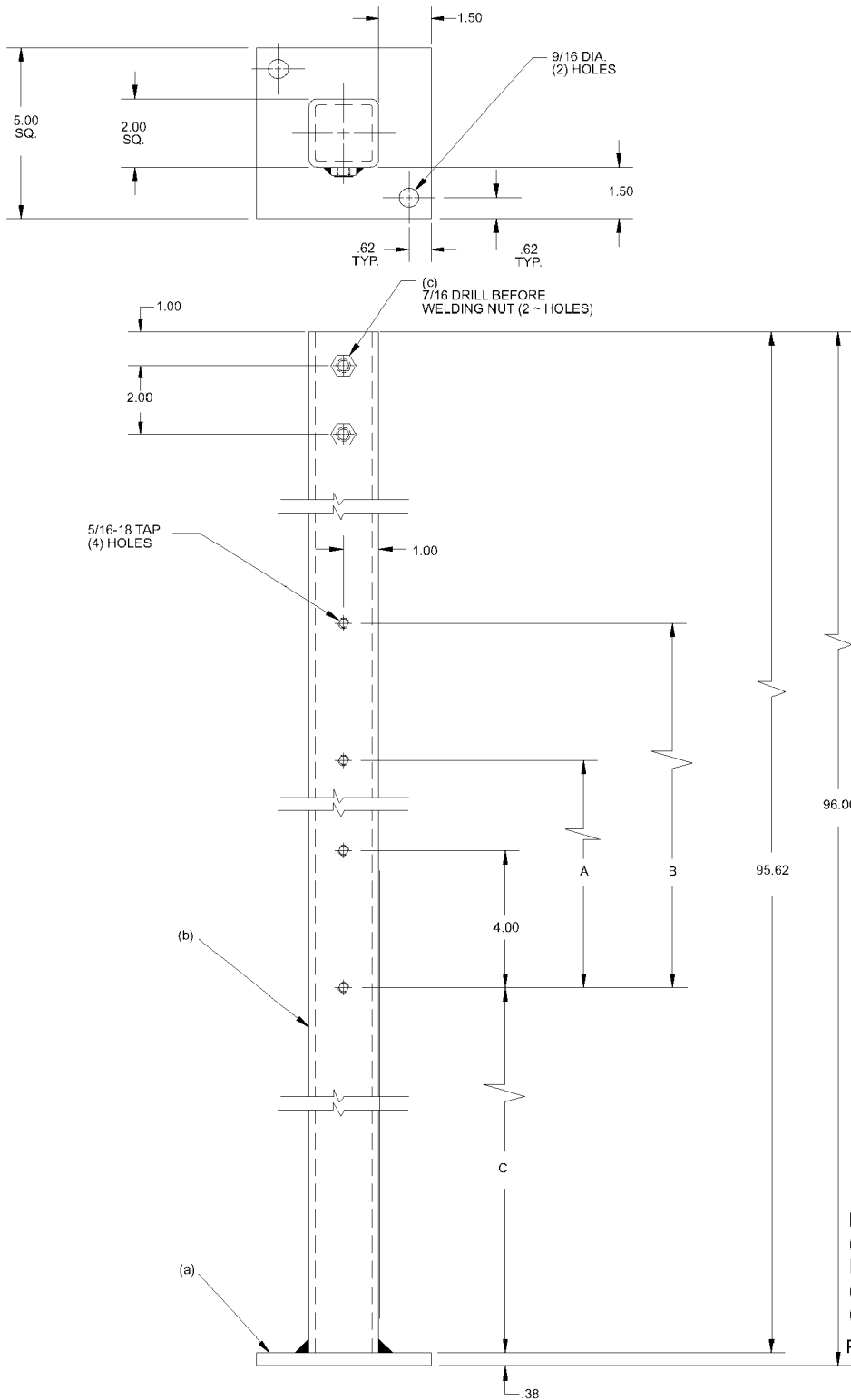
A

E

C

B

# PERIMETER FENCE POST



POST  
 (a) 1 REQ'D ~ PLATEE 3/8 x 5 x 5 S.A.E. 1020 H.R.S.  
 (b) 1 REQ'D ~ STL. TUBING 2 x 2 x 3/16 w/t x 95.62  
 (c) 2 REQ'D ~ 3/8-16 HEX NUT (REGULAR)  
 PAINT SAFETY YELLOW

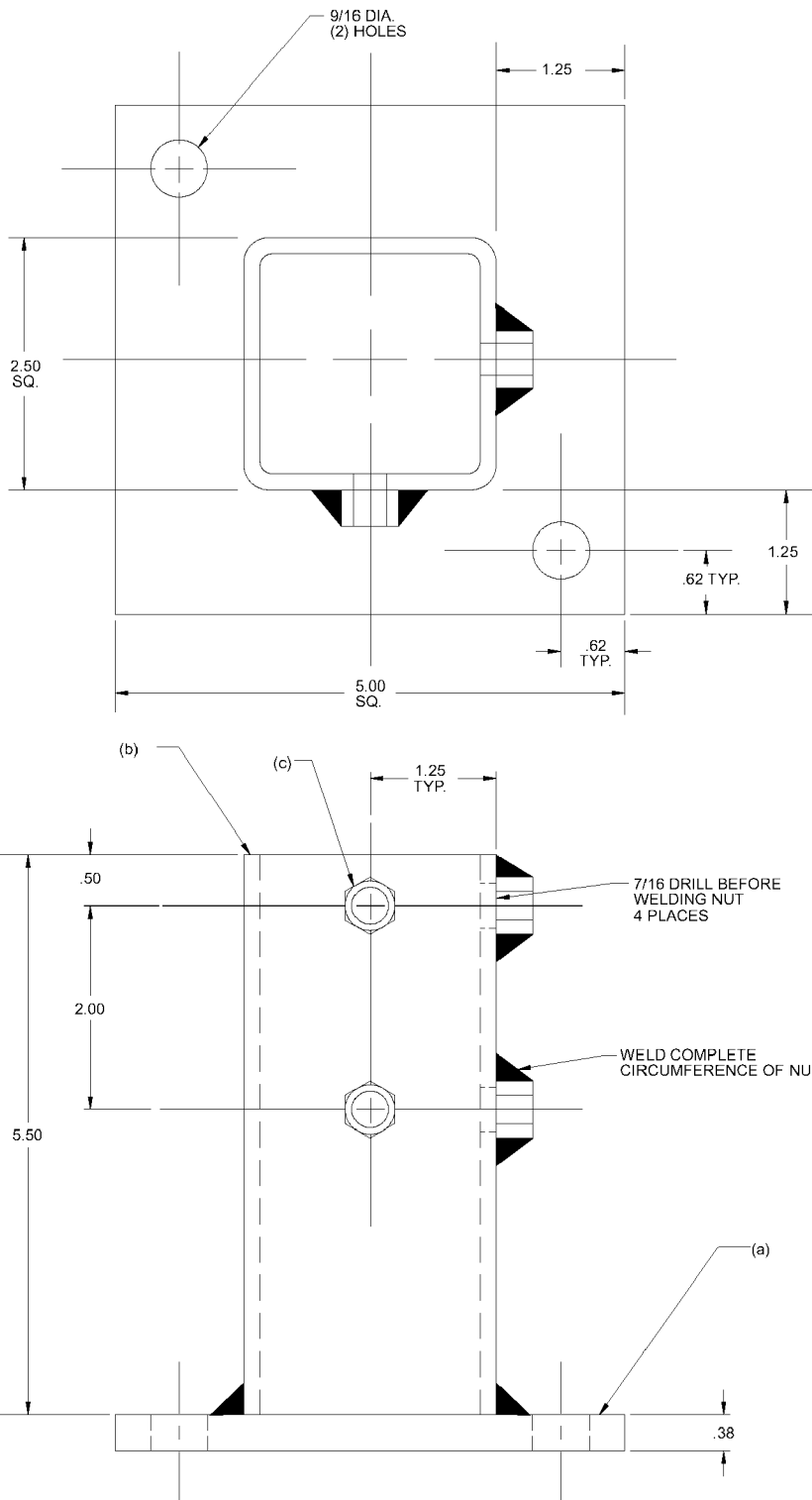
FENCE ASSY. HEIGHT	A/SP	A	B	C
5'	APF029	32.00	36.00	17.12
7'	APF030	56.00	60.00	17.12
5'9"	APF031	44.00	48.00	14.12

**C**

**B**

**A**

# PERIMETER FENCE POST FOOT APF001

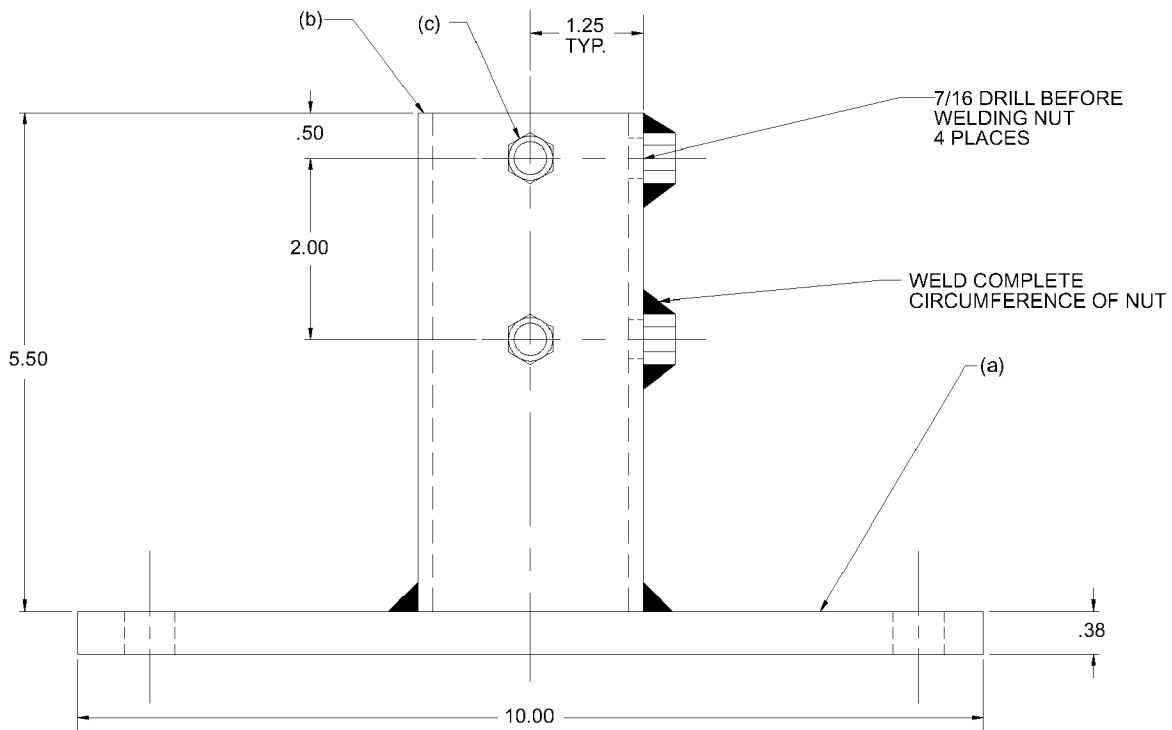
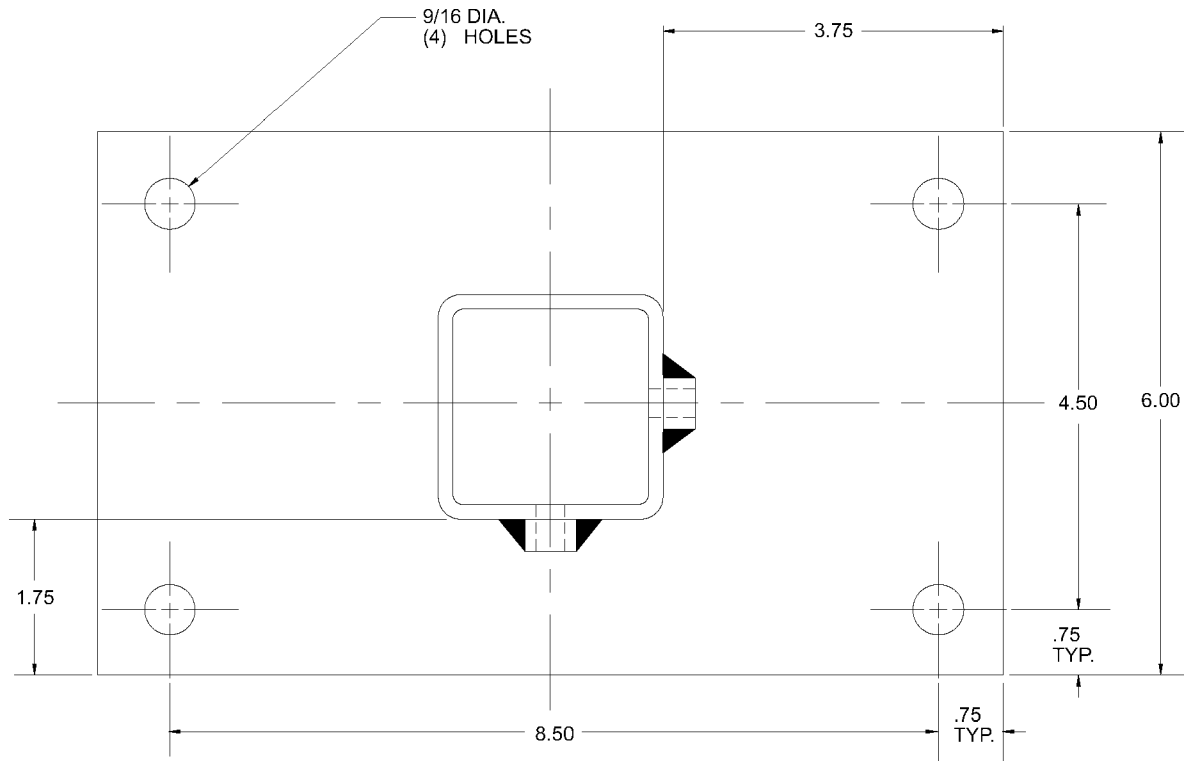


**FOOT**

- (a) 1 REQ'D ~ 3/8 x 5 x5 S.A.E. 1020 H.R.S.
  - (b) 1 REQ'D ~ 2 1/2 x2 1/2 x 3/16 w/t x 5 1/2" LG. STL. SUB'G.
  - (c) 4 REQ'D ~ 3/8-16 NUT (REGULAR)
- PAINT SAFETY YELLOW

**A**

# PERIMETER FENCE POST FOOT APF002



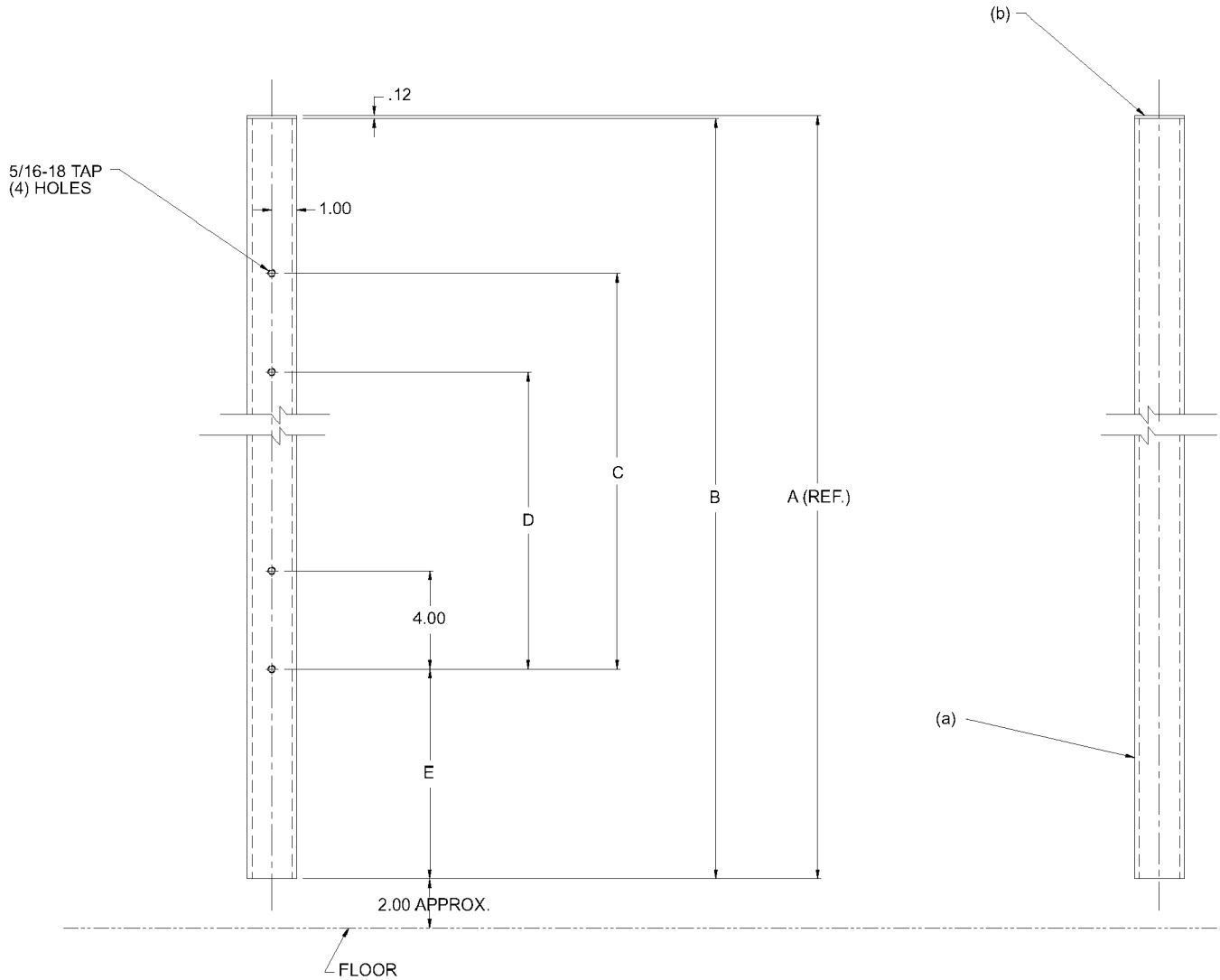
**FOOT**

- (a) 1 REQ'D ~ 3/8 x 6 x 10 PLATE H.R.S.
  - (b) 1 REQ'D ~ 2 1/2 x 1 1/2 x 3/16 w/t x 5 1/2" LG. STL. SUB'G.
  - (c) 4 REQ'D ~ 3/8-16 NUT (REGULAR)
- PAINT SAFETY YELLOW

**A**



# PERIMETER ADJUSTABLE FENCE POST



**POST**

- (a) 1 REQ'D ~ STL. TUBING 2 x2 x 2 x 3/16" w/t x B
- (b) 1 REQ'D ~ PLATE 1/8" x 2 x 2 S.A.E. 1020 H.R.S.

PAINT SAFETY YELLOW

FENCE ASSY. HEIGHT	A/SP	A	B	C	D	E
5'	APF003	58.00	57.88	36.00	32.00	15.50
7'	APF004	82.00	81.88	60.00	56.00	15.50
5'9"	APF005	67.00	66.88	48.00	44.00	12.50

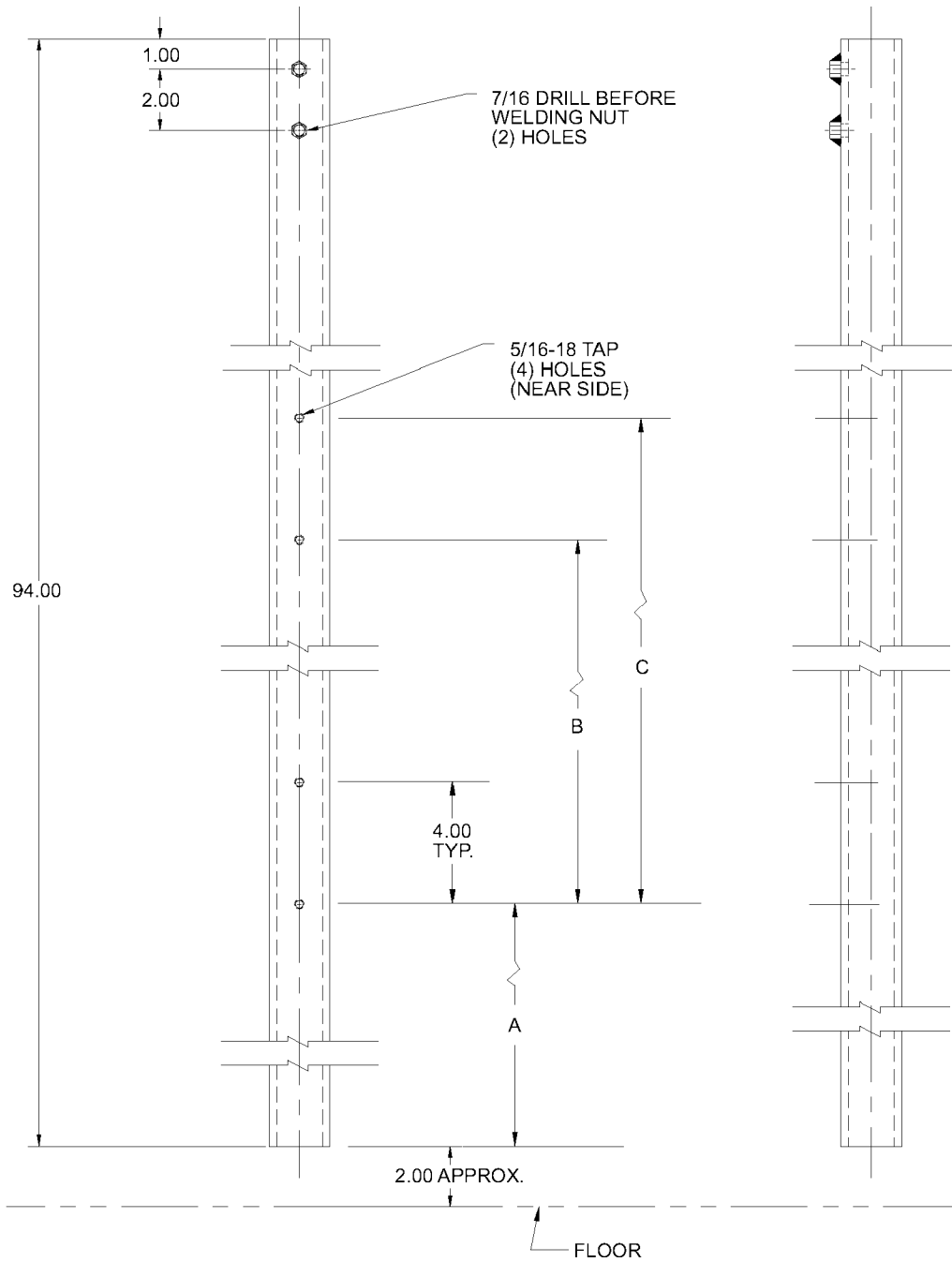
A

D

C

B

# PERIMETER ADJUSTABLE FENCE POST



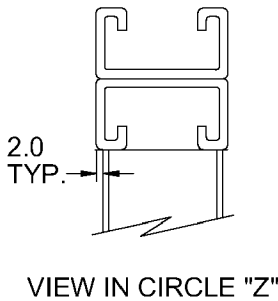
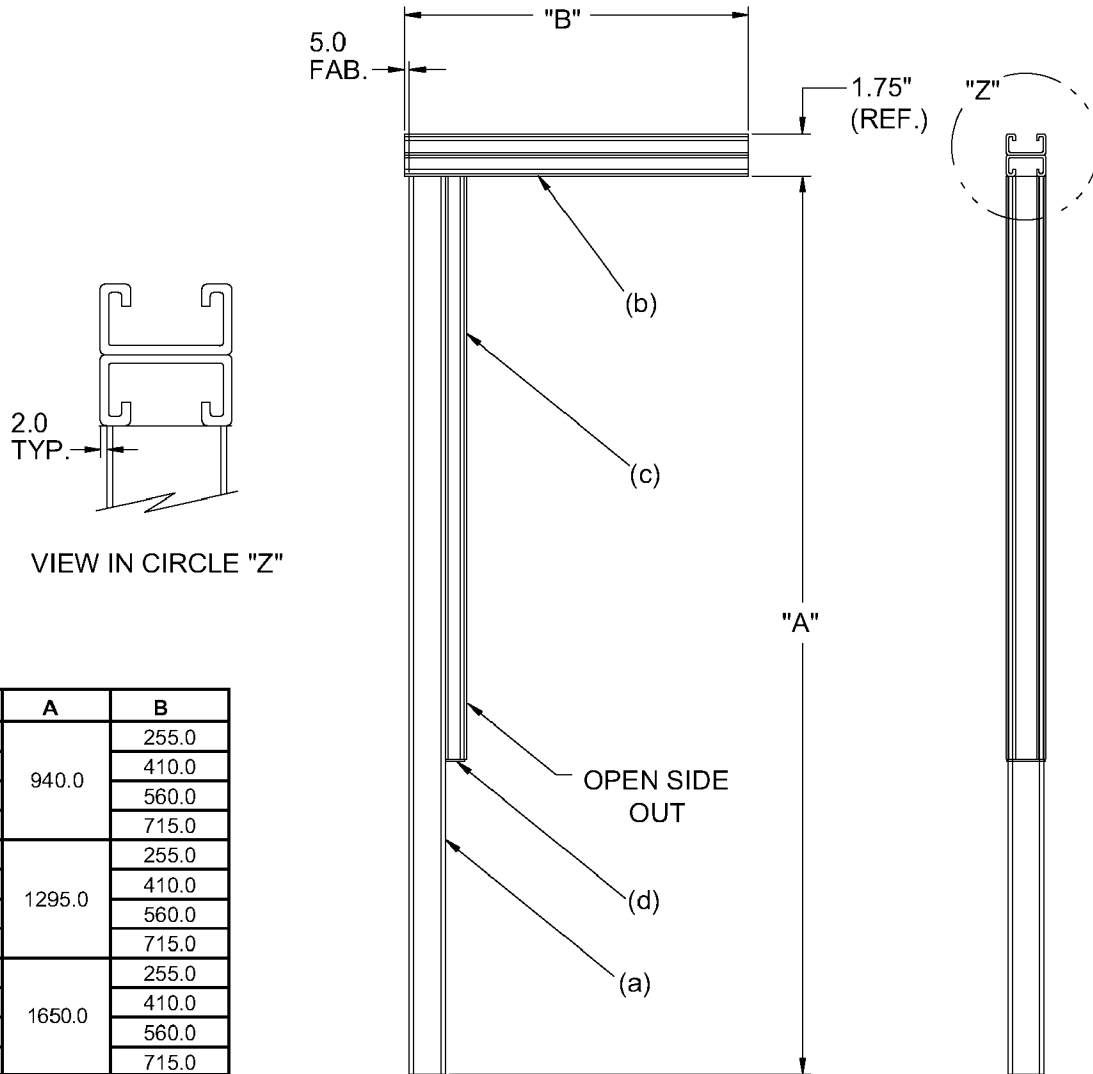
POST  
 STK.: 2x2 x 3/16 w/t x 94.0 LG. SQ. TUBING  
 PAINT SAFETY YELLOW

FENCE ASSY. HEIGHT	A/SP	A	B	C
5'	APF006	15.50	32.00	36.00
7'	APF007	15.50	56.00	60.00
5'9"	APF008	12.50	44.00	48.00

A  
 E  
 D  
 B  
 C

**THIS PAGE HAS BEEN DISCONTINUED**

# CABLE TRAY SUPPORT



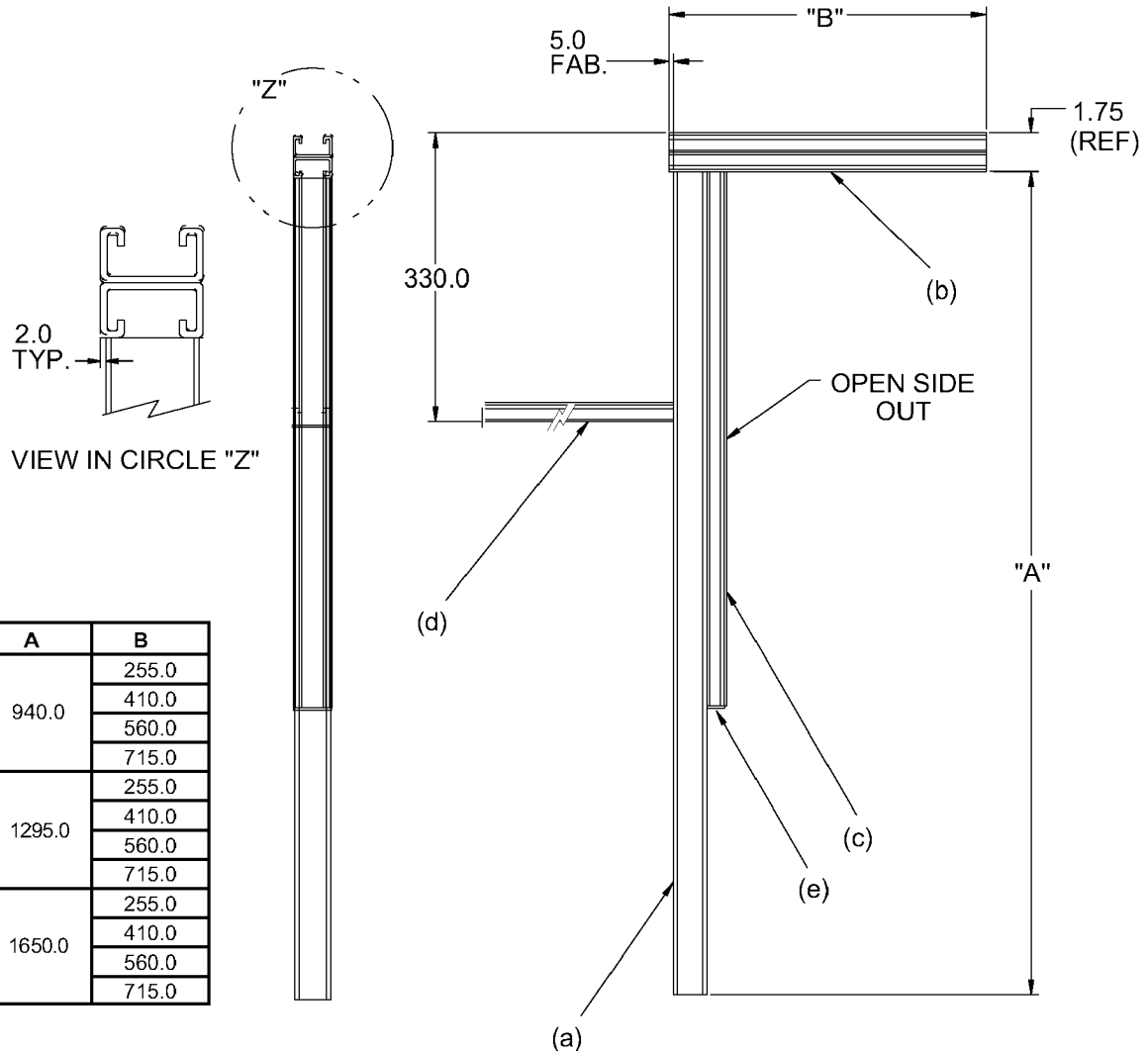
NAAMS CODE	A	B
APF565M	940.0	255.0
APF566M		410.0
APF567M		560.0
APF568M		715.0
APF569M	1295.0	255.0
APF570M		410.0
APF571M		560.0
APF572M		715.0
APF573M	1650.0	255.0
APF574M		410.0
APF575M		560.0
APF576M		715.0

- MAT'L: (a) 1 REQ'D ~ S.A.E. STL. TUB'G~ 1 1/2" x 1 1/2" x 3/16" w/t x "A" mm LG.  
 (b) 1 REQ'D ~ ACTOO2 (SEE P B-8) x "B" mm LG.  
 (c) 1 REQ'D ~ ACTOO1 (SEE P B-8) x 610.0 mm LG.  
 (d) 1 REQ'D ~ SHEET STL.~ 12 GA. x 20.0 x 40.0 mm LG.

PAINT SAFETY YELLOW

**A**

# CABLE TRAY SUPPORT



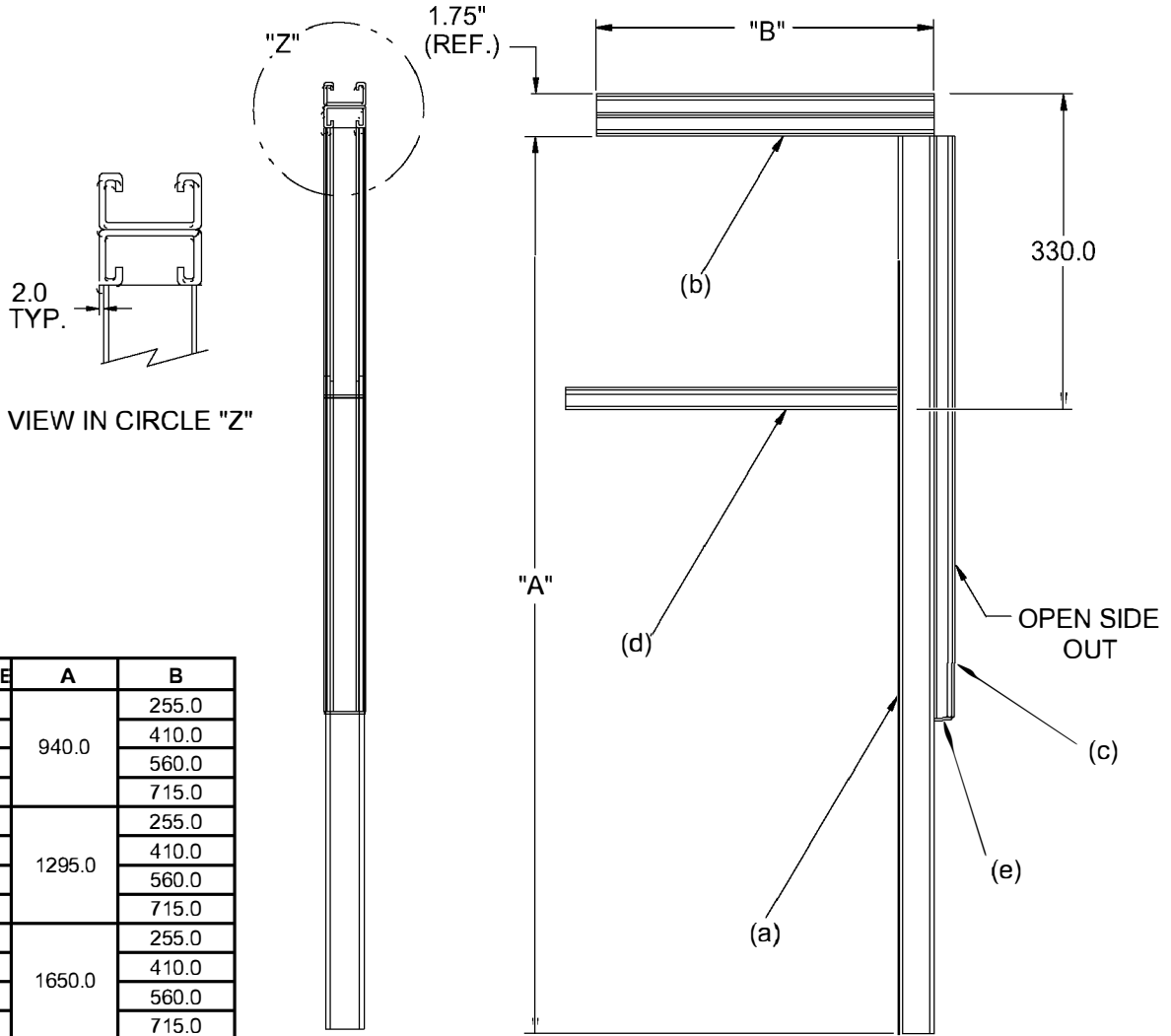
NAAMS CODE	A	B
APF577M	940.0	255.0
APF578M		410.0
APF579M		560.0
APF580M		715.0
APF581M	1295.0	255.0
APF582M		410.0
APF583M		560.0
APF584M		715.0
APF585M	1650.0	255.0
APF586M		410.0
APF587M		560.0
APF588M		715.0

- MAT'L: (a) 1 REQ'D ~ S.A.E. SQ. TUB'G~ 1 1/2" x 1 1/2" x 3/16" w/t x "A" mm LG.  
 (b) 1 REQ'D ~ ACTOO2 (SEE P B-8) x "B" mm LG.  
 (c) 1 REQ'D ~ ACTOO1 (SEE P B-8) x 610.0 mm LG.  
 (d) 1 REQ'D ~ ACTOO1 (SEE P B-8) x 400.0 mm LG.  
 (e) 1 REQ'D ~ SHEET STL.~ 12 GA. x 20.0 x 40.0 mm LG.

PAINT SAFETY YELLOW

**A**

# CABLE TRAY SUPPORT



NAAMS CODE	A	B
APF589M	940.0	255.0
APF590M		410.0
APF591M		560.0
APF592M		715.0
APF593M	1295.0	255.0
APF594M		410.0
APF595M		560.0
APF596M		715.0
APF597M	1650.0	255.0
APF598M		410.0
APF599M		560.0
APF600M		715.0

- MAT'L: (a) 1 REQ'D ~ S.A.E. SQ. TUB'G~ 1 1/2" x 1 1/2" x 3/16" w/t x "A" mm LG.  
 (b) 1 REQ'D ~ ACTOO2 (SEE P B-8) x "B" mm LG.  
 (c) 1 REQ'D ~ ACTOO1 (SEE P B-8) x 610.0 mm LG.  
 (d) 1 REQ'D ~ ACTOO1 (SEE P B-8) x 400.0 mm LG.  
 (e) 1 REQ'D ~ SHEET STL.~ 12 GA. x 20.0 x 40.0 mm LG.

PAINT SAFETY YELLOW

**A**

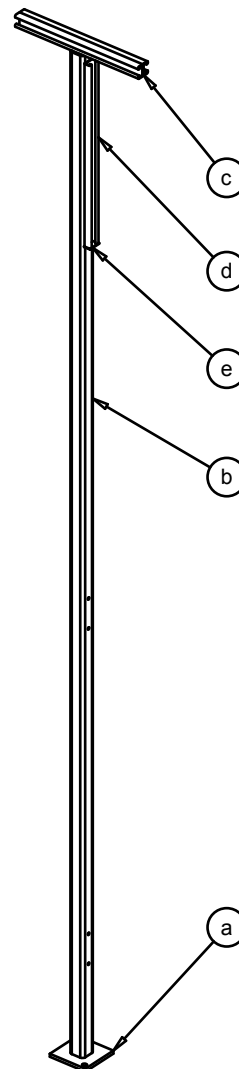
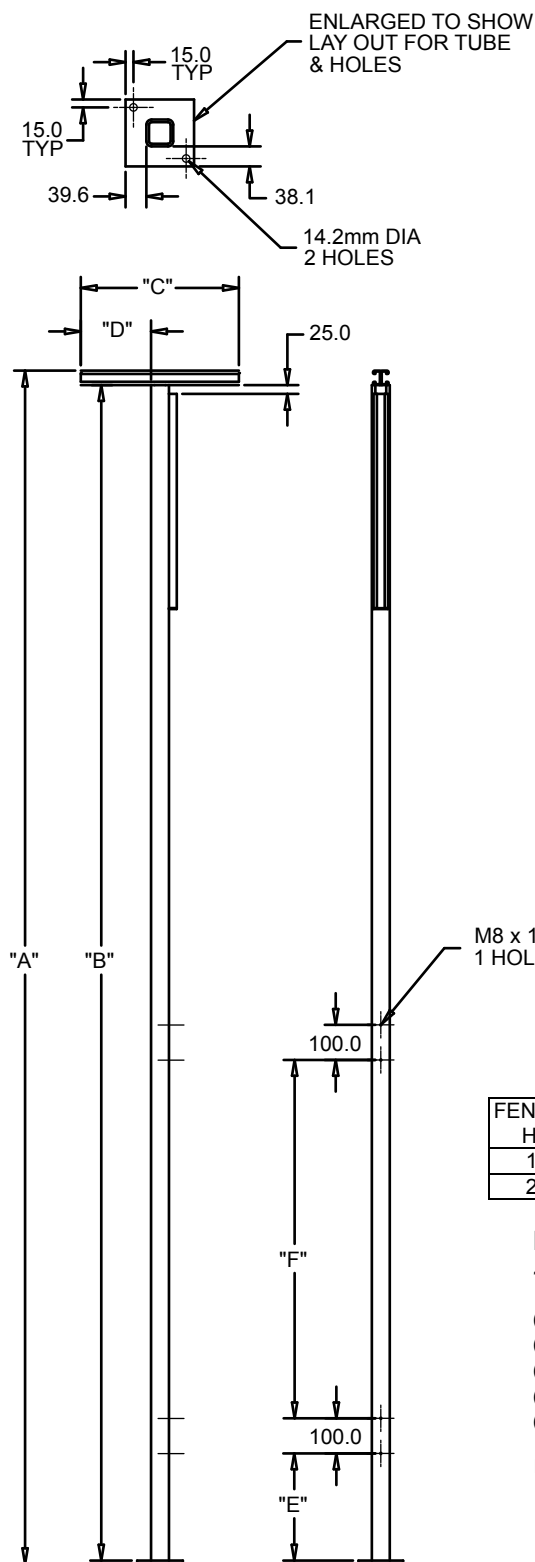
# FIXED HEIGHT FENCE POST

GLOBAL STANDARD COMPONENTS



Assembly

04/12/24



FENCE ASSY HEIGHT	A/SP	"A"	"B"	"C"	"D"	"E"	"F"
1755.0	APF042	3400.0	3346.0	450.0	200.0	305.0	1020.0
2005.0	APF043	3400.0	3346.0	750.0	350.0	305.0	1320.0

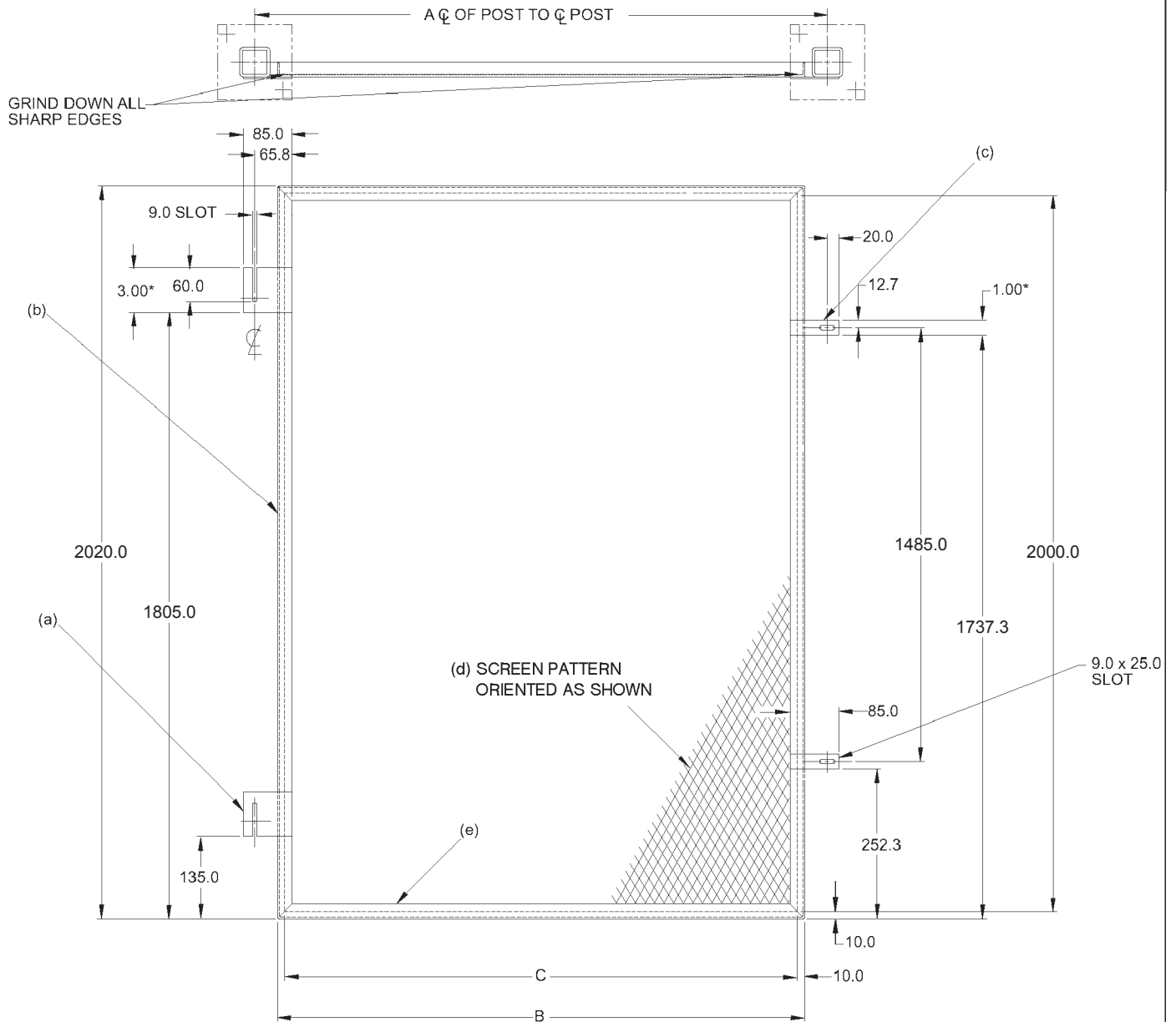
## BRACKET WELDED CONSTRUCTION 1 ~ BRACKET ~ PAINT SAFETY YELLOW

- (a) 1 REQ'D ~ HRS 3/8" X 5" X 130mm
- (b) 1 REQ'D ~ SQ TUBE 2" X 2" X 3/16" w/t X "B"mm LG.
- (c) 1 REQ'D ~ ACT002 X "C"mm LG.
- (d) 1 REQ'D ~ ACT001 X 610mm LG.
- (e) 1 REQ'D ~ SHT METAL 12 Gau X 22mm X 41mm

METRIC DIMENSIONAL TOLERANCES UNLESS OTHERWISE SPECIFIED:  
 1 PLACE MACHINING ±0.3  
 1 PLACE FABRICATION ±1.5  
 2 PLACE ±0.08 BETWEEN MACHINED SURFACES  
 ±0.13 TO SCREW HOLES

**A**

# METRIC PERIMETER 2200.0 FENCE PANEL



**PERIMETER FENCE PANEL**

- (a) 2 REQ'D ~ 1/8" X 3" X 85.0 mm – S.A.E 1020 H.R.S.
- (b) 2 REQ'D ~ 1/8" x 1" x 1" x 2020.0 mm – STL. ANGLE
- (c) 2 REQ'D ~ 1/8" x 1" x 85.0 mm – S.A.E. 1020 H.R.S.
- (d) 1 REQ'D ~ 2000.0 x C x 3/4 - 16 GA EXPANDED METAL FLATTENED
- (e) 2 REQ'D ~ 1/8" x 1" x 1" x B mm – STL. ANGLE

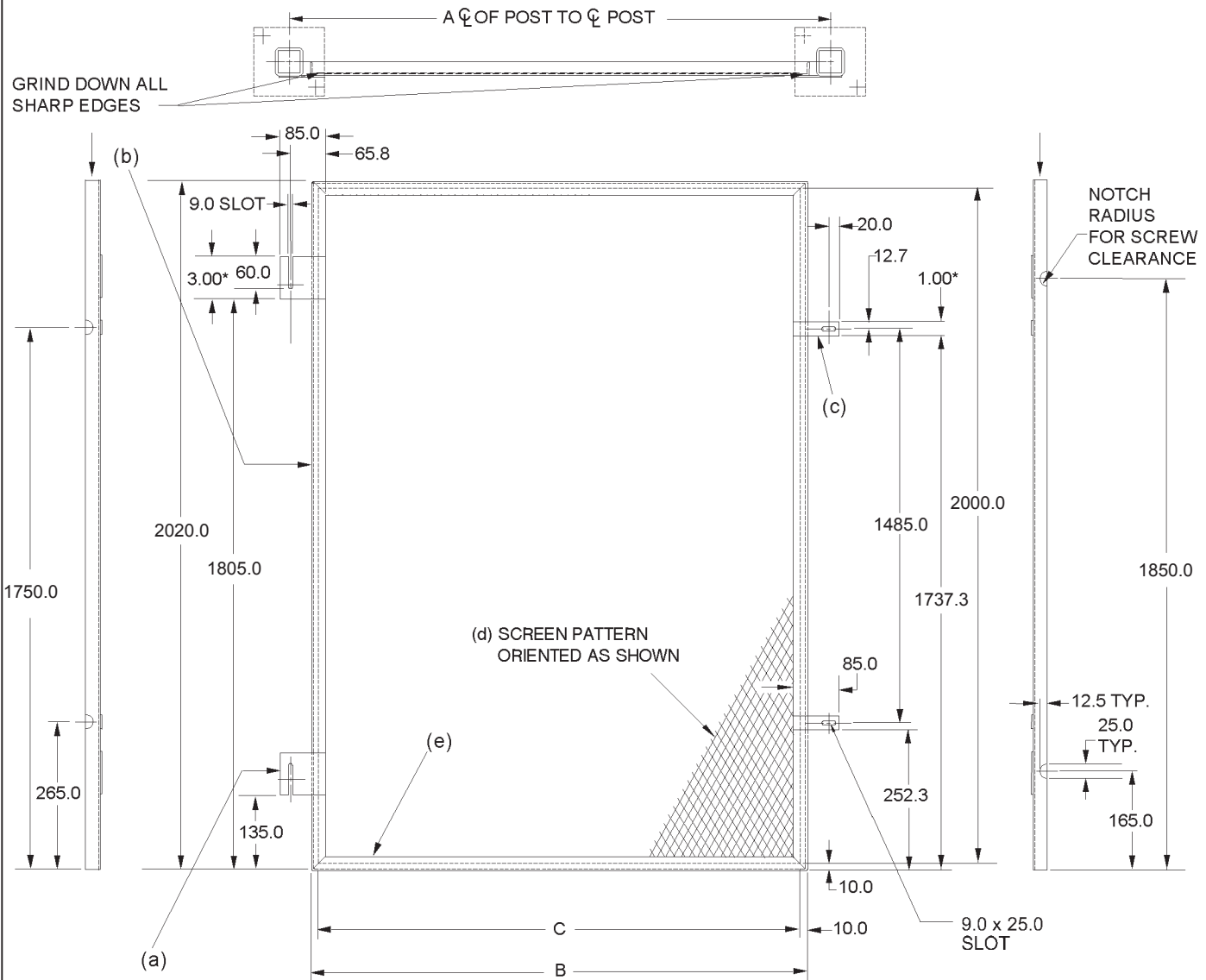
PAINT NOTE: SAFETY BLACK

NOTE:  
 ALL DIM'S ARE METRIC  
 EXCEPT DIM'S MARKED \*  
 WHICH ARE IN INCHES.

FENCE ASSY. HEIGHT	NAAMS CODE	A	B	C
GENERAL 2200.0 mm	APF710M	200.0	120.0	100.0
	APF711M	300.0	220.0	200.0
	APF712M	400.0	320.0	300.0
	APF713M	500.0	420.0	400.0
	APF714M	600.0	520.0	500.0
	APF715M	700.0	620.0	600.0
	APF716M	800.0	720.0	700.0
	APF717M	900.0	820.0	800.0
APPROX 7'-2.6" (REF.)	APF718M	1000.0	920.0	900.0
	APF719M	1100.0	1020.0	1000.0
	APF720M	1200.0	1120.0	1100.0
	APF721M	1300.0	1220.0	1200.0



# METRIC PERIMETER 2200.0 FENCE PANEL (NOTCHED)



**PERIMETER FENCE PANEL**

- (a) 2 REQ'D ~ 1/8" X 3" X 85.0 mm – S.A.E 1020 H.R.S.
- (b) 2 REQ'D ~ 1/8" x 1" x 1" x 2020.0 mm – STL. ANGLE
- (c) 2 REQ'D ~ 1/8" x 1" x 85.0 mm – S.A.E. 1020 H.R.S.
- (d) 1 REQ'D ~ 2000.0 x C x 3/4 - 16 GA EXPANDED METAL FLATTENED
- (e) 2 REQ'D ~ 1/8" x 1" x 1" x B mm – STL. ANGLE

PAINT NOTE: SAFETY BLACK

NOTE:  
ALL DIM'S ARE METRIC  
EXCEPT DIM'S MARKED \*  
WHICH ARE IN INCHES.

FENCE ASSY. HEIGHT	NAAMS CODE	A	B	C
GENERAL 2200.0 mm	APF710MN	200.0	120.0	100.0
	APF711MN	300.0	220.0	200.0
	APF712MN	400.0	320.0	300.0
	APF713MN	500.0	420.0	400.0
	APF714MN	600.0	520.0	500.0
	APF715MN	700.0	620.0	600.0
	APF716MN	800.0	720.0	700.0
	APF717MN	900.0	820.0	800.0
APPROX 7'-2.6" (REF.)	APF718MN	1000.0	920.0	900.0
	APF719MN	1100.0	1020.0	1000.0
	APF720MN	1200.0	1120.0	1100.0
	APF721MN	1300.0	1220.0	1200.0